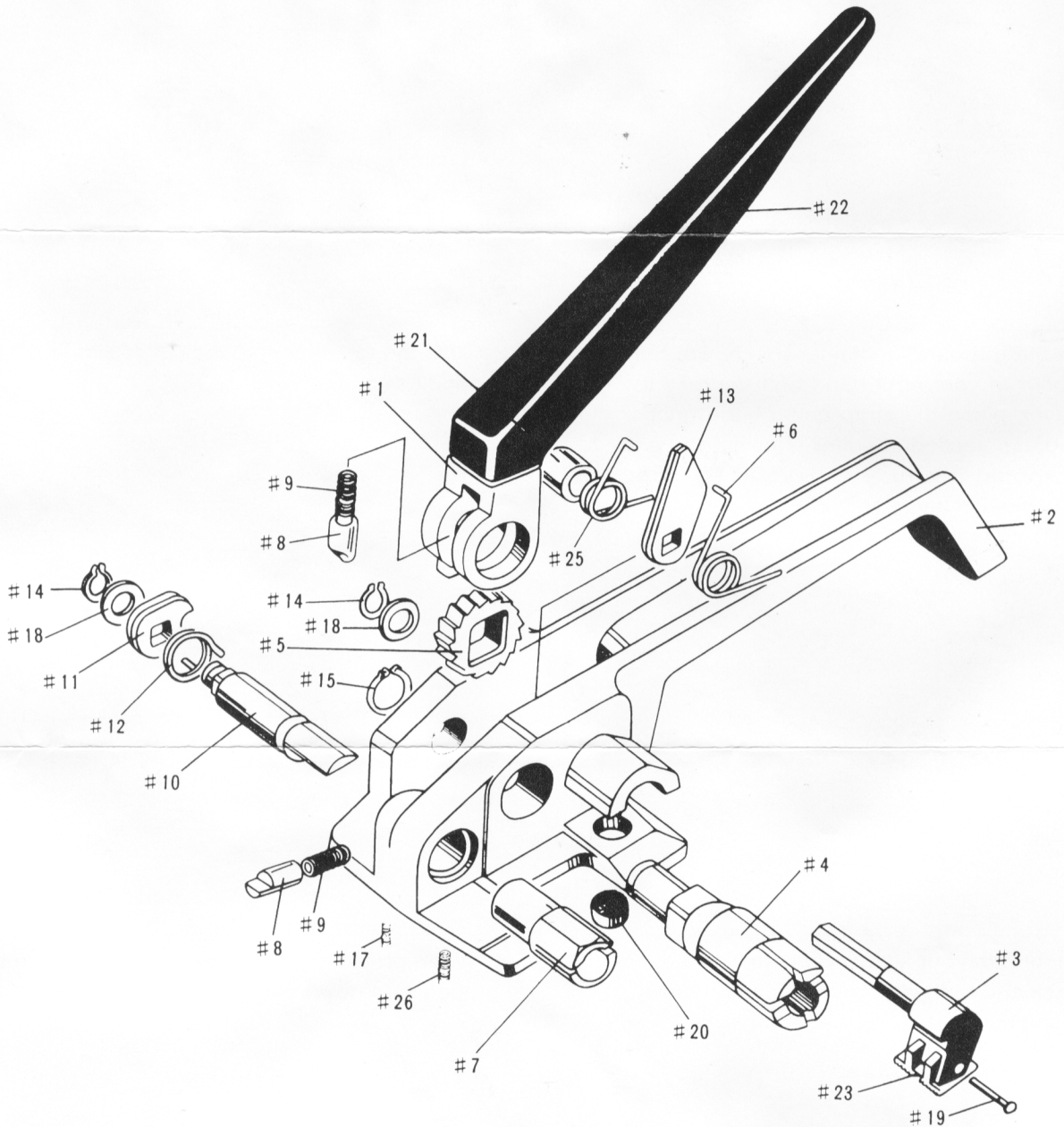


# TENSIONING TOOL



## PARTS LIST

Part No.	Part Name	Qty./Tool	Part No.	Part Name	Qty./Tool
#1	Handle	1	#13	Gripper Cam	2
#2	Base	1	#14	Retaining Ring	2
#3	Gripper	1	#15	Retaining Ring	1
#4	Windlass	1	#17	SK HD Set Screw	1
#5	Ratchet Wheel	1	#18	Washer Support	2
#6	Gripper Spring(LH)	1	#19	Gripper Screw	1
#7	Cutter Housing	1	#20	Base Plug	1
#10	Cutter	1	#21	Spacer	1
#8	Ratchet Stop	2	#22	Plastic Sleeve	1
#9	Ratchet Spring	2	#23	Gripper Plate	1
#11	Cutter Cam	2	#25	Gripper Spring (RH)	1
#12	Cutter Spring	1	#26	SK HD Set Screw	1

Keep tool well oiled and clean. Please order parts by number and name.