

Jøtul F 360 Advance

Jøtul F 360 Advance
Manual Version P02

UK - Installation and Operating Instructions	3
FR - Manuel d'installation et d'utilisation	24
ES - Instrucciones para montaje e instalación	45
IT - Manuale di installazione ed uso	66



Jøtul F 361
Advance

Jøtul F 361
Advance HT

Jøtul F 363
Advance

Jøtul F 368
Advance

Jøtul F 368
Advance HT



The manuals which are enclosed with the product must be kept throughout the product's entire service life. Les manuels fournis avec le produit doivent être conservés pendant toute la durée de vie du produit. Los manuales suministrados con este producto deben guardarse durante todo el ciclo de vida del producto. I manuali inclusi con il prodotto vanno conservati per l'intera durata di vita del prodotto.



Kravelement / Kravelement / Kravelement / Vaaditut tiedot	
Leverandør Leverandør Leverantör Valmistaja	Jøtul AS
Ildstedets modellvarianter Ildstedets modelvarianter Eldstadens modellvarianter Tulisijan mallitunnisteet	Jøtul F 360 Advance Series: Jøtul F 361 Advance, Jøtul F 361 Advance HT Jøtul F 363 Advance, Jøtul F 368 Advance, Jøtul F 368 Advance HT
Energieffektivitets klasse Energieffektivitets klasse Energieffektivitets klass Energiatohokkuusluokka	A
Nominell varmeytelse Nominel varmeydelse Nominell värmeavgivning Nimellislämpöteho	6,8 kW
Energieffektivitets indeks Energieffektivitets indeks Energieffektivitetsindex Energiatohokkuusindeksi	104,1
Virkningsgrad ved nominell ytelse Virkningsgrad ved nominel varmeafgivelse Verkningsgrad vid nominell värmeavgivning Hyötysuhde nimellislämpöteholla	78 %
<p>Særskilte forholdsregler når ovnen monteres, installeres eller vedlikeholdes.</p> <p>Særlige forholdsregler, der skal træffes, når ovnen samles, monteres eller vedligeholdes.</p> <p>Särskilda förhållningsregler när kaminen skall monteras, installeras och underhållas.</p> <p>Erityiset säännöt tulisijan pystytystä, asentamista tai huoltoa koskien.</p>	<p>For branntekniske forhold som oppstillingsvilkår og nasjonale regler; <i>se monterings- og bruksanvisningen.</i></p> <p>Brandtekniske forhold som oppstillingsvilkår samt nationale regler. <i>Se monterings- og bruksanvisning.</i></p> <p>Brandtekniska förhållanden som uppställningsvillkor och nationella regler. <i>Se monterings- och bruksanvisning.</i></p> <p>Palotekniset vaatimukset, kuten tulisijan sijoittamista koskevat vaatimukset ja kansalliset määräykset käyvät ilmi asennusohjeesta. <i>Lue tuotteen asennusohjeet.</i></p>

Table of contents

Installation manual with technical data

1.0 Relationship to the authorities	3
2.0 Technical data	3
3.0 Safety	4
4.0 Installation	8
5.0 Daily use.....	17
6.0 Maintenance	18
7.0 Service.....	19
8.0 Operational problems - troubleshooting	22
9.0 Optional Equipment	23
10.0 Recycling	23
11.0 Guarantee terms.....	23

Register your fireplace at jotul.com for a 25-year warranty.

Product: Jøtul Room heater fired by solid fuel				
Standard Minimum distance to adjacent combustible materials:				
Emission of CO in combustion products:				
Flue gas temperature:				
Nominal heat output:				
Efficiency:				
Operation range:				
Fuel type:				
Operational type:				
The appliance can be used in a shared flue.				
Country	Classification	Certificate/standard	Approved by	
Norway	Klasse II			
Sweden	etc.	SP	SP-Sveriges Provnings- och Forskningsinstitut AB	
EUR	Intermittent	EN	SP-Sveits National Testing and Research Institute	
Follow user's instructions. Use only recommended fuels. Montage- und Bedienungsanleitung beachten. Verwenden Sie nur empfohlenen Brennstoffen. Respectez les consignes d'utilisation. Utilisez uniquement les combustibles recommandés.				
Serial no. Y-xxxx, Year 200x				
Manufacturer: Jøtul AS POB 1 441 N-1622 Fredrikstad Norway				

On all our products there is a label indicating the serial number and year. Write this number in the place indicated in the installation instructions.

Always quote this serial number when contacting your retailer or Jøtul.

Serial no.

1.0 Relationship to the authorities

Installation of a fireplace must be according to local codes and regulations in each country.

All local regulations, including those which refer to national and European standards, must be observed when installing the product.

The installation can only be put into use after it has been checked by a qualified inspector. Contact your local building authorities before installing a new fireplace.

A rating plate made of a heat-resistant material is attached to the product. This contains information about identification and documentation for the product.

2.0 Technical data

Material:	Cast iron
Finish:	Black paint
Fuel:	Wood
Log length, max.:	33 cm
Flue outlet:	Top, rear
Flue pipe dimension:	Ø150 mm
Outside air connection:	Alu. flex. - Ø100 mm

Approx. weight:	
- Jøtul F 361 Advance:	172 kg
Jøtul F 361 Advance + HT:	201 kg
Jøtul F 361 Advance + HT + heat storage system:	251 kg
- Jøtul F 363 Advance:	164 kg
- Jøtul F 368 Advance:	179 kg
Jøtul F 368 Advance + HT:	208 kg
Jøtul F 368 Advance + HT + heat storage system:	258 kg

Optional extras: Rotating set (Jøtul 363 Advance), cast iron door for base (Jøtul F 361 Advance), High Top, external air supply, heat storage system.

Dimensions, distances: See fig. 1

ENGLISH

Technical data in acc. with EN 13240 / NS 3058

Nominal heat output:	6,0 kW
Flue gas volume:	6,3 g/s
Chimney draught, EN 13240:	12 Pa
Recommended negative pressure in smoke outlet:	14-16 Pa
Efficiency:	78%@6,8 kW
CO emissions (13% O ₂):	0.06%
CO emissions (13% O ₂):	731 mg / Nm ³
NOx at 13% O ₂ :	93 mg / Nm ³
OGC @ 13 % O ₂ :	45 mg/Nm ³
Air consumption:	6,1 litre/sec or 22 m ³ /h
Chimney temperature, EN 13240:	275 °C
Dust:	<4 mg/Nm ³ @13%O ₂
Particle emission NS 3059:	2,9 g / kg

Type of fuel:	Wood
Recommended log length:	27-30 cm
Max. log length:	33 cm
Fuel consumption:	2.1 kg/h
Max. kindling amount:	2.0 kg
Nominal kindling amount:	1.6 kg
Operation:	Intermittent

Intermittent combustion in this context means normal use of the fireplace, i.e. fuel is added as soon as the fuel has burnt down to a suitable amount of embers.

3.0 Safety

NB! To guarantee optimal performance and safety, Jøtul recommends that its stoves are fitted by a qualified installer (see www.jotul.com for a complete list of dealers).

Any modifications to the product may result in the product and safety features not functioning as intended. The same applies to the installation of accessories or optional extras not supplied by Jøtul. This may also be the case if parts that are essential to the functioning and safety of the fireplace have been disassembled or removed.

In all these cases, the manufacturer is not responsible or liable for the product and the right to make a complaint becomes null and void.

The Clean Air Act

“The Clean Air Act 1993 and Smoke Control Areas”

Under the Clean Air Act local authorities may declare the whole or part of the district of the authority to be a smoke control area. It is an offence to emit smoke from a chimney of a building, from a furnace or from any fixed boiler if located in a designated smoke control area. It is also an offence to acquire an “unauthorised fuel” for use within a smoke control area unless it is used in an “exempt” appliance (“exempted” from the controls which generally apply in the smoke control area).

In England appliances are exempted by publication on a list by the Secretary of State in accordance with changes made to sections 20 and 21 of the Clean Air Act 1993 by section 15 of the Deregulation Act 2015. Similarly in Scotland appliances are exempted by publication on a list by Scottish Ministers under section 50 of the Regulatory Reform (Scotland) Act 2014.

In Northern Ireland appliances are exempted by publication on a list by the Department of Agriculture, Environment and Rural Affairs under Section 16 of the Environmental Better regulation Act (Northern Ireland) 2016.

In Wales appliances are exempted by regulations made by Welsh Ministers.

Further information on the requirements of the Clean Air Act can be found here: <https://www.gov.uk/smoke-control-area-rules>

Your local authority is responsible for implementing the Clean Air Act 1993 including designation and supervision of smoke control areas and you can contact them for details of Clean Air Act requirements.

The Jøtul F 361 Advance, Jøtul F 361 Advance HT, Jøtul F 363 Advance, Jøtul F 367 Advance, Jøtul F 367 Advance, Jøtul F 367 Advance HT, Jøtul F 368 Advance and Jøtul F 368 Advance HT have been recommended as suitable for use in smoke control areas when burning wood logs.

3.1 Fire Prevention Measures

There is a certain element of danger every time you use your fireplace. The following instructions must therefore be followed:

- The minimum safety distances when installing and using the fireplace are given in **fig. 1**. The specified distance to flammable materials, applies to this stove. The stove must be installed with a CE approved flue. The distance of the flue pipe to combustible materials must also be observed.
- Ensure that furniture and other flammable materials are not too close to the fireplace. Flammable materials should not be placed within 1100 mm of the fireplace.
- Allow the fire to burn out. Never extinguish the flames with water.
- The fireplace becomes hot when lit and may cause burns if touched.
- Only remove ash when the fireplace is cold. Ash can contain hot embers and should therefore be placed in a non-flammable container.
- Ash should be placed outdoors or be emptied in a place where it will not present a potential fire hazard.

In case of chimney fire:

- Close all hatches and vents.
- Keep the firebox door closed.
- Check the loft and cellar for smoke.
- Call the fire service.
- Before use after a fire an expert must check the fireplace and the chimney in order to ensure that it is fully functional.

3.2 Floor

Foundation

You need to make sure the foundation is suitable for a fireplace. See “**2.0 Technical Data**” for specified weight.

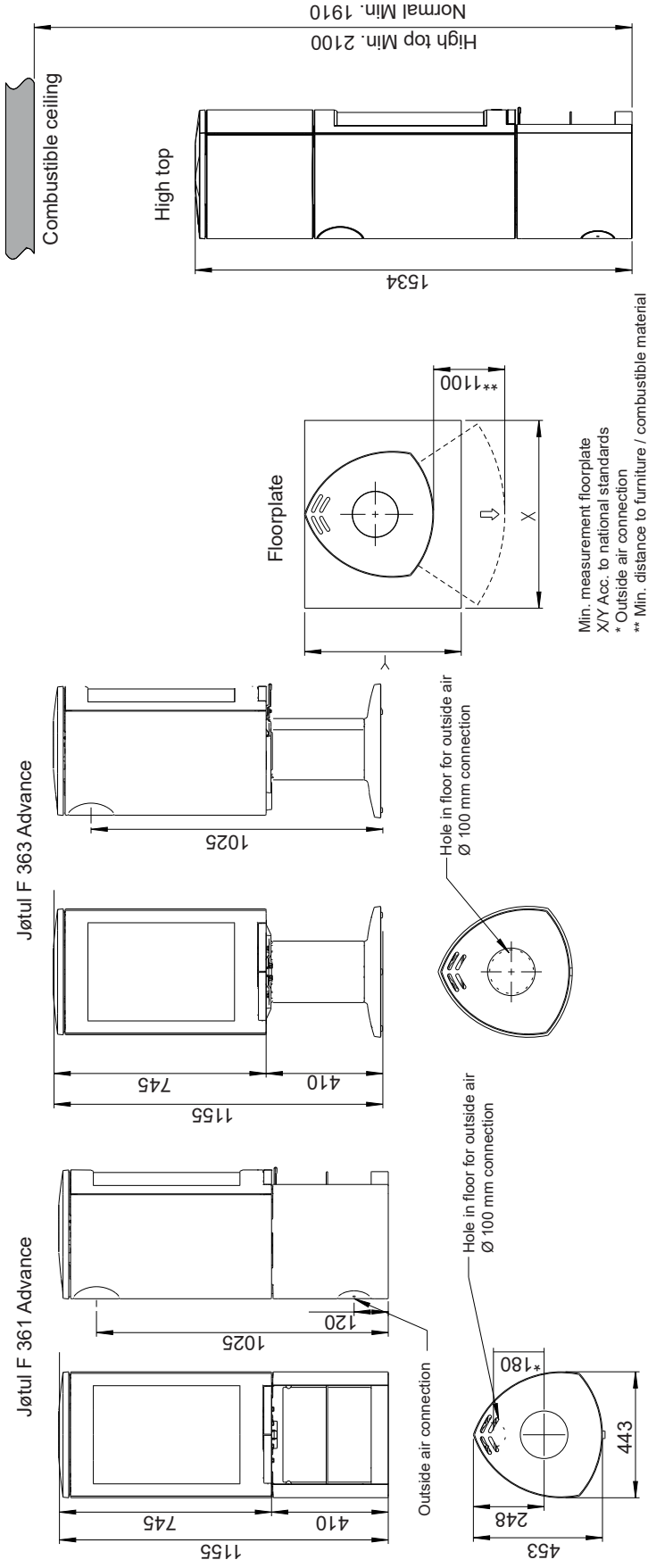
We recommend the removal of any flooring that is not attached to the foundation (“floating floors”) beneath the installation.

Requirements for protection of wooden flooring beneath the fireplace

Jøtul F 360 Advance Series has a heat shield underneath which protects the base from radiation. The product has an integrated floor protection and may therefore be placed directly on a wooden floor.

Jøtul recommends that any flooring made of combustible material, such as linoleum, carpets, etc. should be removed from under the floor plate.

Fig. 1A



Min. measurement floorplate
 X/Y Acc. to national standards
 * Outside air connection
 ** Min. distance to furniture / combustible material

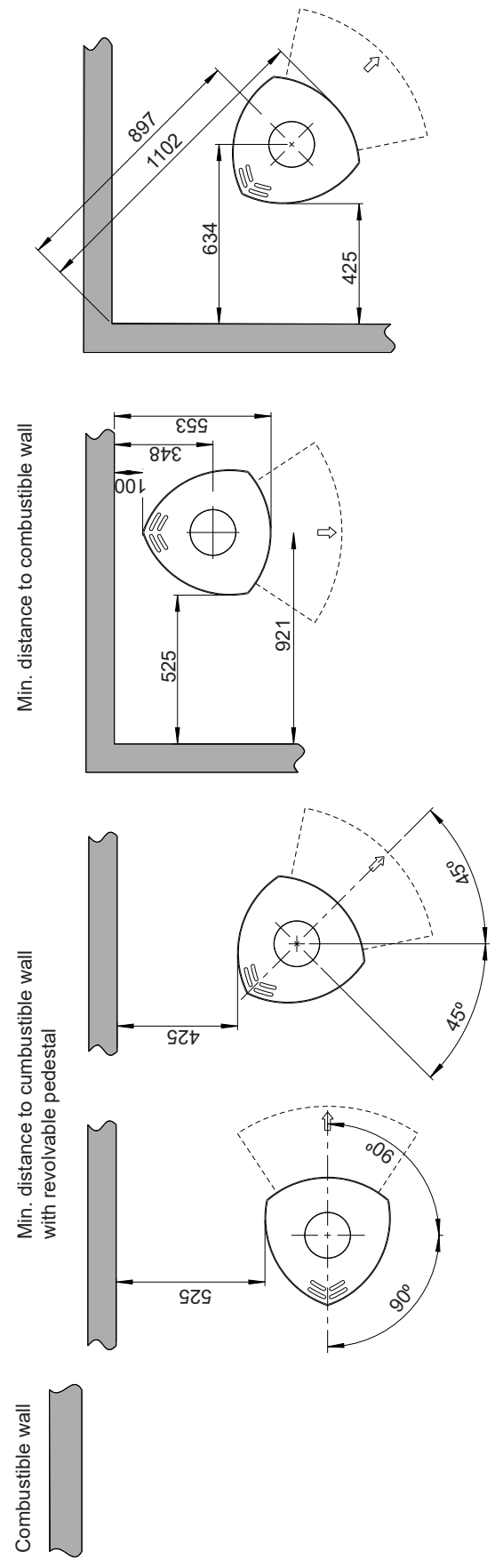
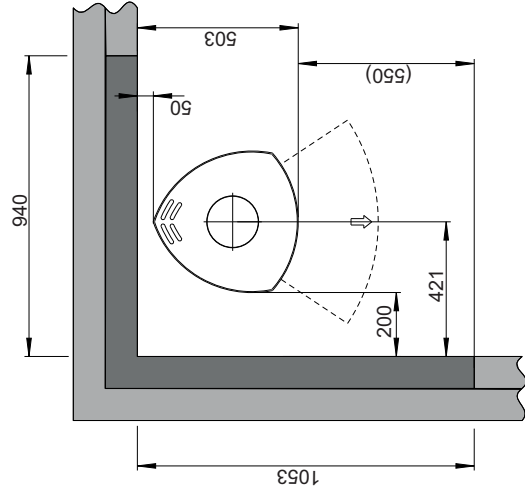
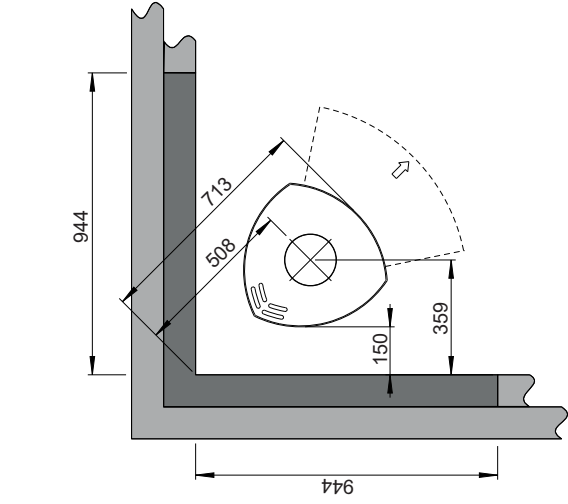
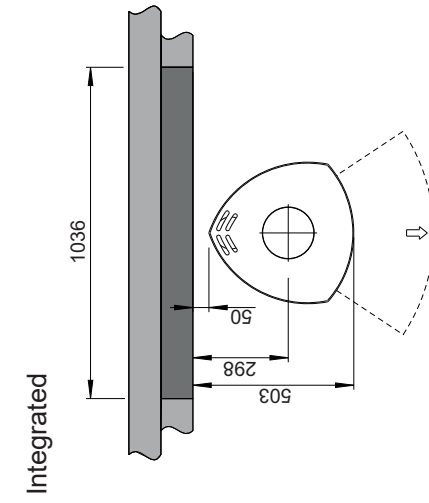
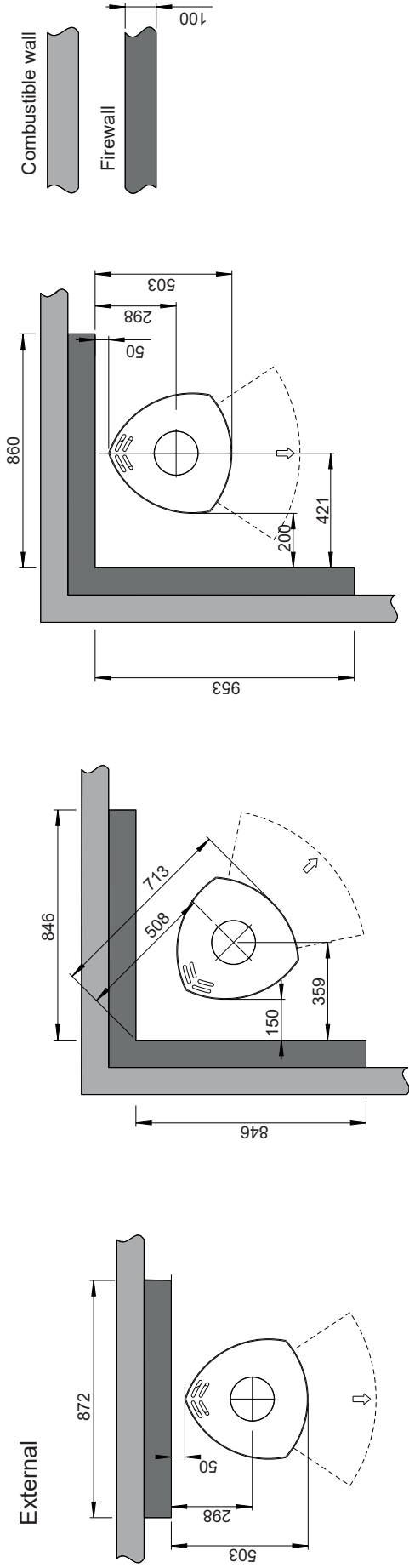


Fig. 1B

Jøtul F 360 Advance Min. distance to firewall



Requirements for protection of inflammable floors in front of the fireplace

The front plate must comply with national laws and regulations.

Contact your local building authorities regarding restrictions and installation requirements.

3.3 Walls

Distance from the wall of flammable material

Distance to walls made of combustible material - see fig. 1a

Distance to combustible wall protected by firewall: See fig. 1b

The fireplace can be installed with a minimum of 50 mm to non-combustible wall if the distance from the fireplace to all combustible materials are a minimum of 500 mm.

Non-combustible materials mean materials like brick, clinker, concrete, mineral wool, silicate plates etc (materials that do not burn). **Note!** A short distance to non-combustible wall may lead to desiccation and discoloration of paint and cause cracking.

NB: Pay particular attention to this when using revolving pedestal!

3.4 Ceiling

There must be a minimum distance of 750 mm to a combustible ceiling above the fireplace.

Fresh air supply

The air used for combustion in any well-insulated house needs to be replaced. This is particularly important in houses with mechanical ventilation. Such replacement air can be procured in several ways. The most important thing is to supply the air to the room where the stove is placed. Place the outside wall valve as close to the stove as possible and make sure that it can be closed when the stove is not in use.

For the fresh air supply connection, follow the national and local building regulations.

Important! Ensure that air vents in the room where the fireplace is located are not blocked.

Closed combustion system

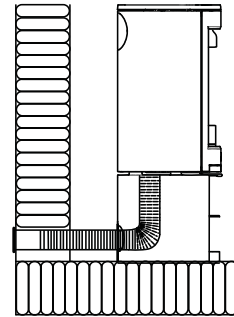
Use the stove's closed combustion system if you live in recently built, airtight dwellings. Connect the external combustion air through a ventilation pipe through the wall or the floor.

Air supply

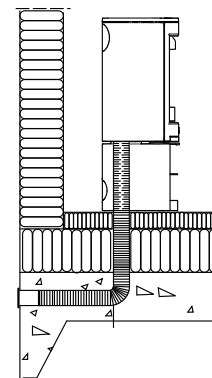
The amount of combustion air for Jøtul's products is approximately 20-40 m³/h. The outside air connection may be fitted directly to the Jøtul F 360 Advance through:

- the bottom
- through a flexible supply hose from the outside/chimney (only if the chimney has its own duct for external air) and to the product's outside air connector.

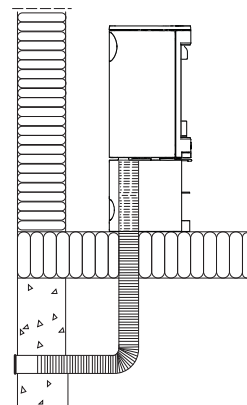
Through an outside wall



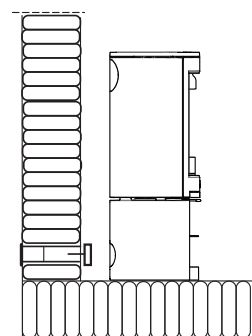
Through the floor and ground plate



Through the floor and basement



Indirectly through an outside wall



ENGLISH

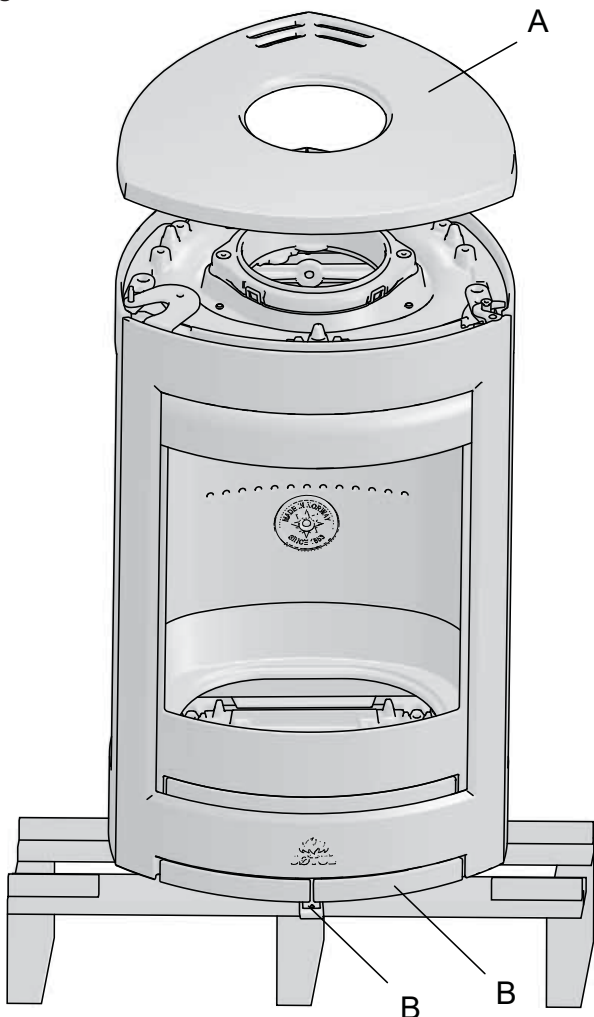
4.0 Installation

- Before installing the fireplace, check it carefully for any signs of damage.
- The product is heavy! Ask someone to help you when positioning and installing it.
- **Make sure that furniture and other household items are at a safe distance from the fireplace to protect them from drying out.**
- Do not place anything on the top plate of the stove as this could cause permanent damage to the paint/enamel.

4.1 Prior to installation

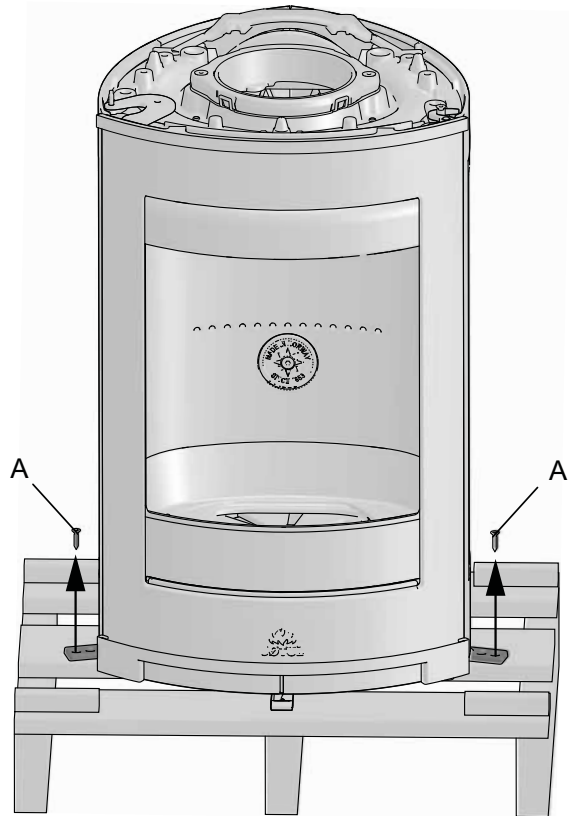
- The standard product comes in two packages. One contains the fireplace itself, the other contains the base or pedestal in cast iron.
- When the product is unpacked, take out the ash pan and its contents, the fire grate, burn plates, baffle and exhaust deflector. See fig. 20, 21, 33 and 34.

Fig. 3



1. Remove the top plate (A).
2. Check that the control handles (B) move freely.

Fig. 4

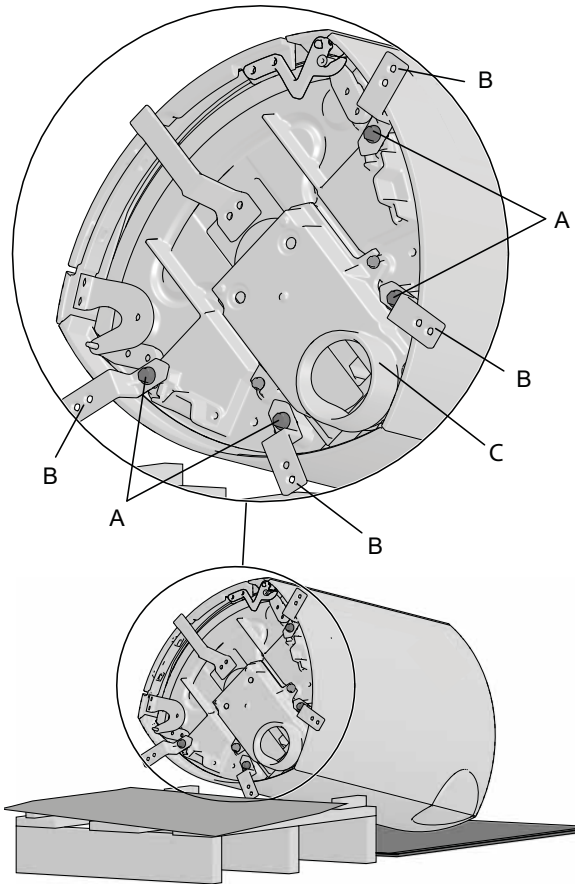


3. Remove the 4 transport screws (A) from the sides and rear.

4.2 Installation

Jøtul F 361 Advance - with base

Fig. 5

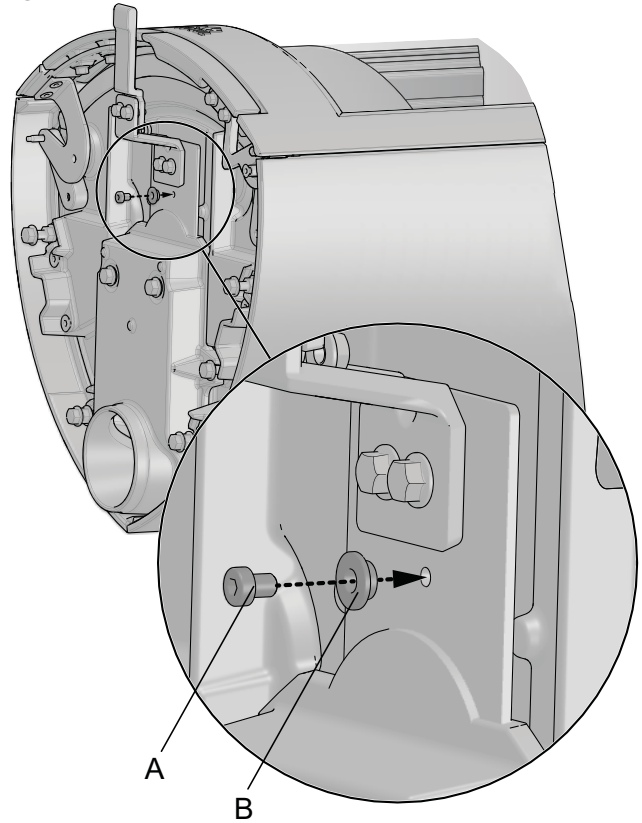


1. Spread the cardboard packaging out on the floor. Place the other cardboard packaging on the pallet to protect the paintwork. Carefully lay the burn chamber on its side on the pallet.
2. Unscrew the screws (A) and remove the brackets (B). Keep two of the screws if you are going to attach the pedestal.
3. If using an external air supply (C) through the floor, the outside air inlet must first be rotated (see fig. 18 A).

Requirement for UK

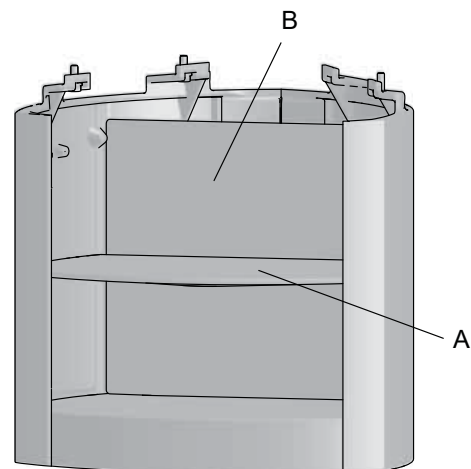
"The Jotul F 360 Advance stoves have been recommended as suitable for use in smoke control areas when burning wood logs and when fitted with a mechanical stop to prevent secondary air control closure beyond the 382mm² and the tertiary air control closure beyond the 402 mm² open positions." **Note!** In order to achieve this see the instructions in fig. 6.

Fig. 6



4. Use the screw (A) and the washer (B) from the bag of screws and screw it onto the burnchamber.

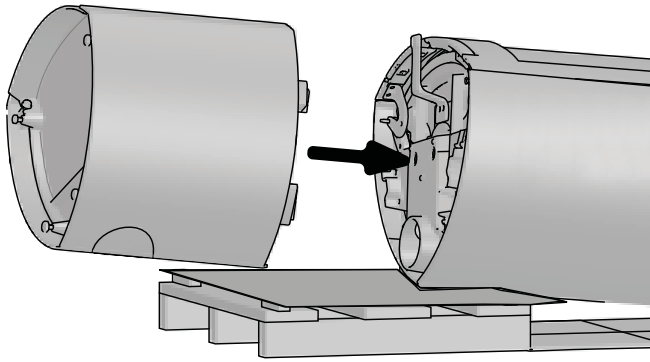
Fig. 7



1. Before installing the base onto the burn chamber, remove the shelf (A) and the rear plate (B) from inside the base.

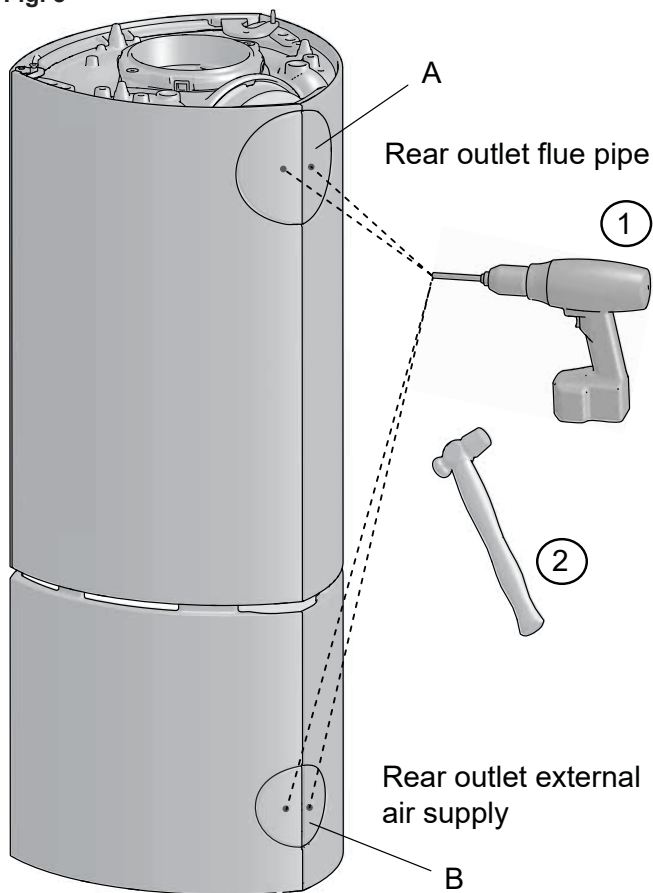
ENGLISH

Fig. 7b



2. Attach the base to the burn chamber using the screws (fig. 5 A) provided.

Fig. 8



Rear outlet for the flue pipe

3. Drill holes in the removable cover (A) for the smoke outlet. Then knock the cover out using a hammer.

Rear outlet for external air supply (optional extra)

4. If an outside air connection is to be fitted to the rear outlet (B) in the base, first drill holes in the removable cover, then knock the panel out using a hammer. **NB: If using an external air supply through the floor of the base, do not knock the cover out.**

Jøtul F 361 HT Advance - product with base and High Top



See installation instructions for High Top
Art. nr. 10050932

Jøtul F 368 Advance - product with base and cast iron door for base



See installation instructions for High Top
Art. nr. 10050932

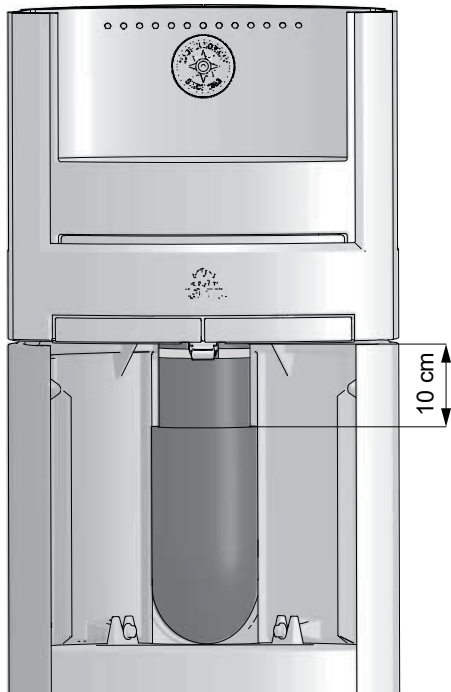
See installation instructions for cast iron door for base
Art. nr. 10051081

4.3 Assembly with an external air supply (optional extra)

Jøtul F 361 - rear outlet

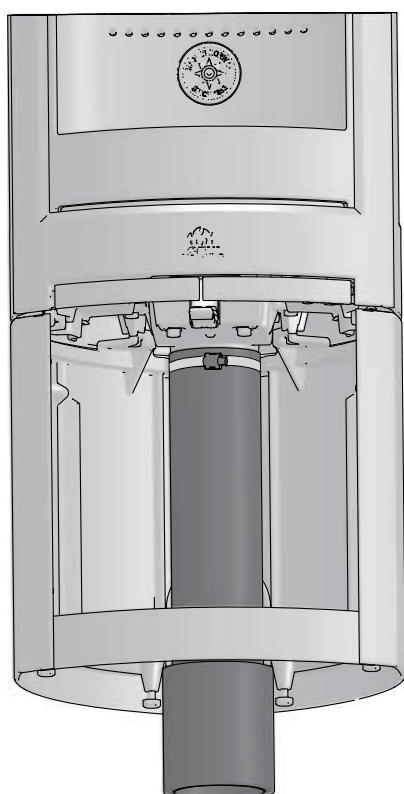
If an external air supply is to be installed, see the assembly instructions provided for the external air kit.

Fig. 9



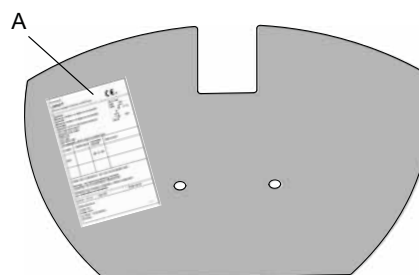
Jøtul F 361 - outside air connection through the floor

Fig. 10



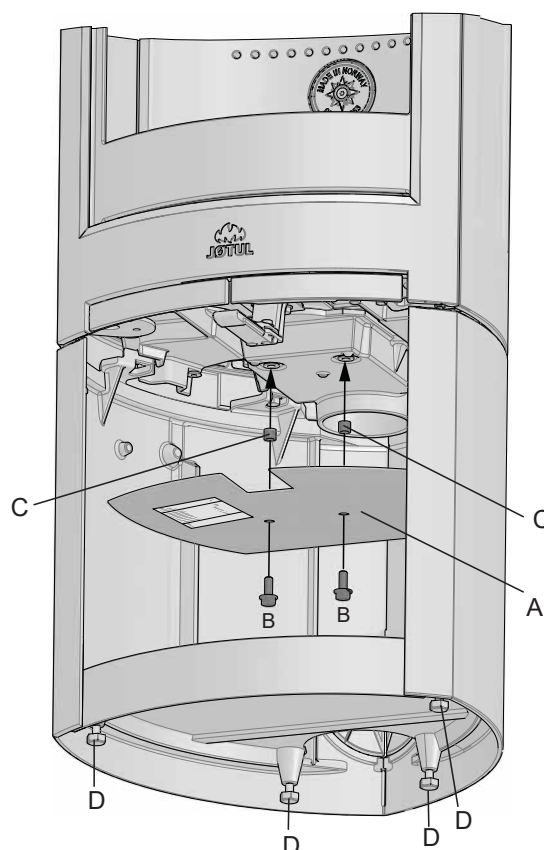
4.4 Location of approval label

Fig. 11



5. Attach the approval label, which is inside the ash pan, to the underside of the burn chamber's heat shield. (This label is important for the approval of the product).

Fig. 12

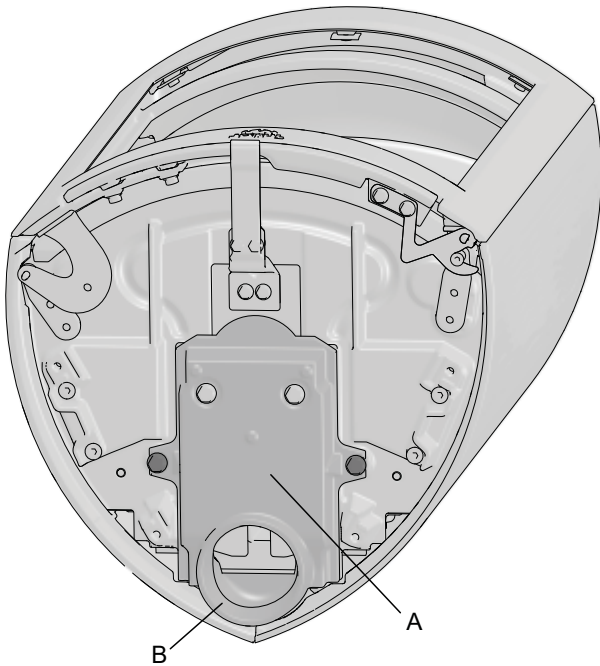


1. Put the rear plate into place (A) in the base.
2. Secure the heat shield provided (A) to the burn chamber using the screws (B) and sleeves (C) from the bag of screws.
3. Level the product using the 4 adjustment screws (D). **NB: If using a glass floor plate (optional extra), the base must be raised approximately 8 mm from the floor so that the floor plate can be pushed under the front edge of the base.**
4. If an external air supply is to be used, pull the flex hose through the hole in the bottom plate and attach it to the smoke outlet using a hose clip. Make sure the hose is long enough so that joints are not necessary.

ENGLISH

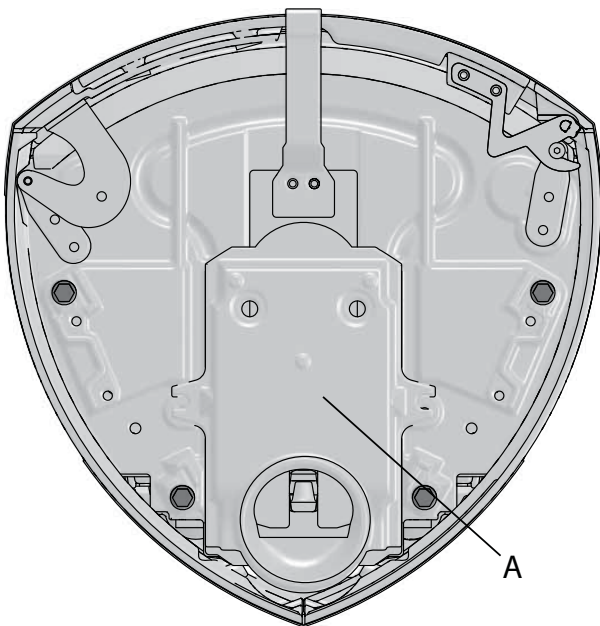
Jøtul F 363 Advance - product with pedestal

Fig. 13



- The outside air inlet (A) with opening (B) is located at the rear of the burn chamber as standard.

Fig 14

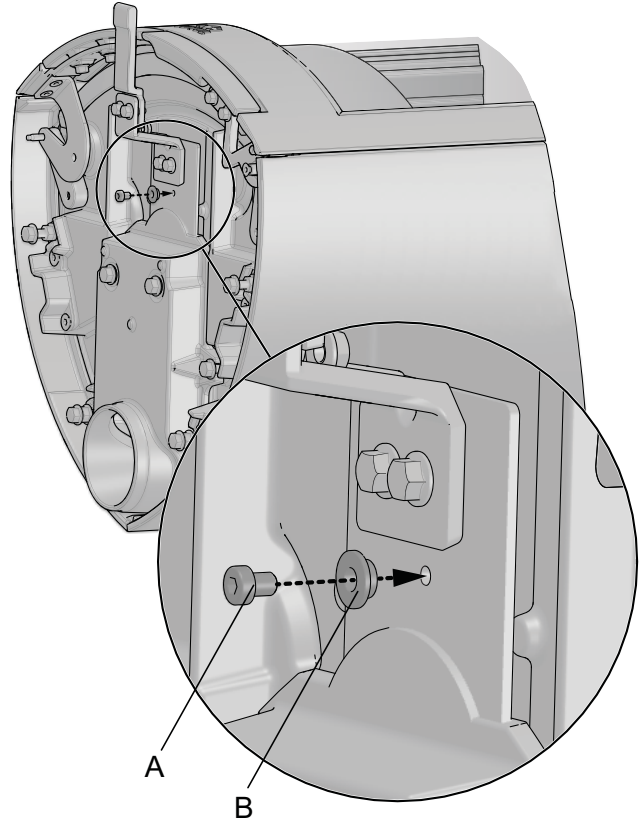


NB: If using an external air supply through the floor, the outside air inlet (A) must first be rotated (fig. 18 A).

Requirement for UK

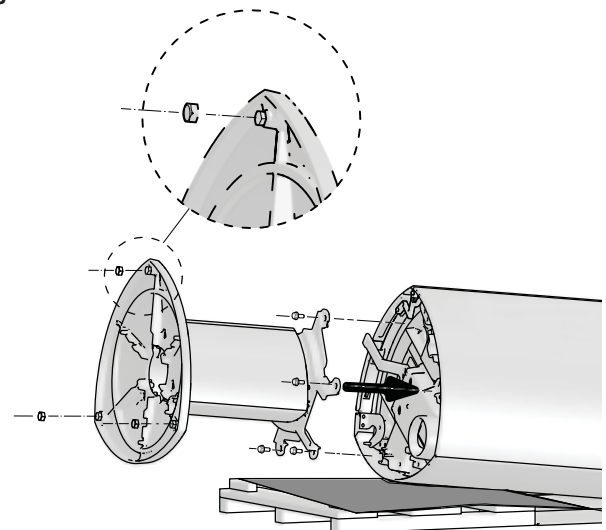
“The Jøtul F 360 Advance stoves have been recommended as suitable for use in smoke control areas when burning wood logs and when fitted with a mechanical stop to prevent secondary air control closure beyond the 382mm² and the tertiary air control closure beyond the 402 mm² open positions.” **Note!** In order to achieve this see the instructions in fig. 15.

Fig. 15



5. Use the screw (A) and the washer (B) from the bag of screws and screw it onto the burnchamber.

Fig. 16

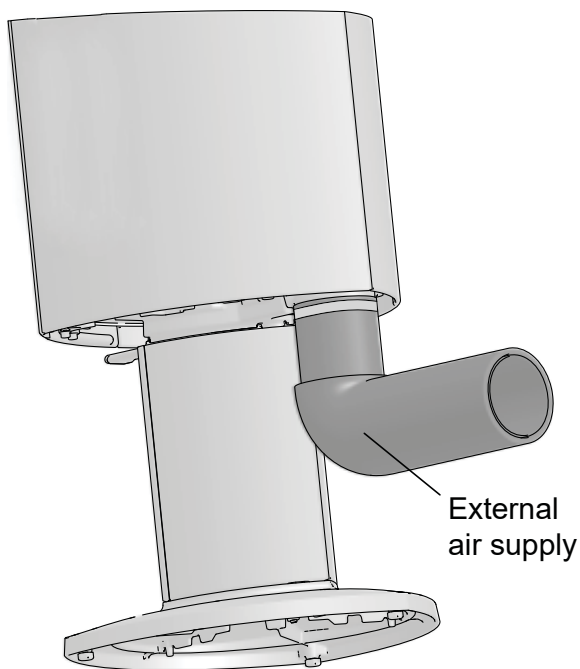


- Use the screws from the bag of screws to attach the pedestal to the burn chamber in the front. In the rear use two of the screws from the brackets (fig. 5 A).
- Stand the product up.

4.5 Assembly with an external air supply (optional extra)

Jøtul F 363 - rear outlet

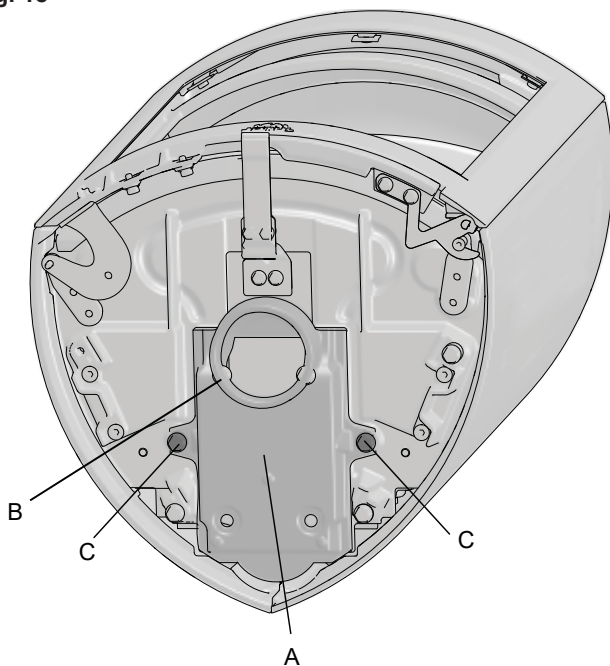
Fig. 17



Jøtul F 363 - outside air connection through the floor

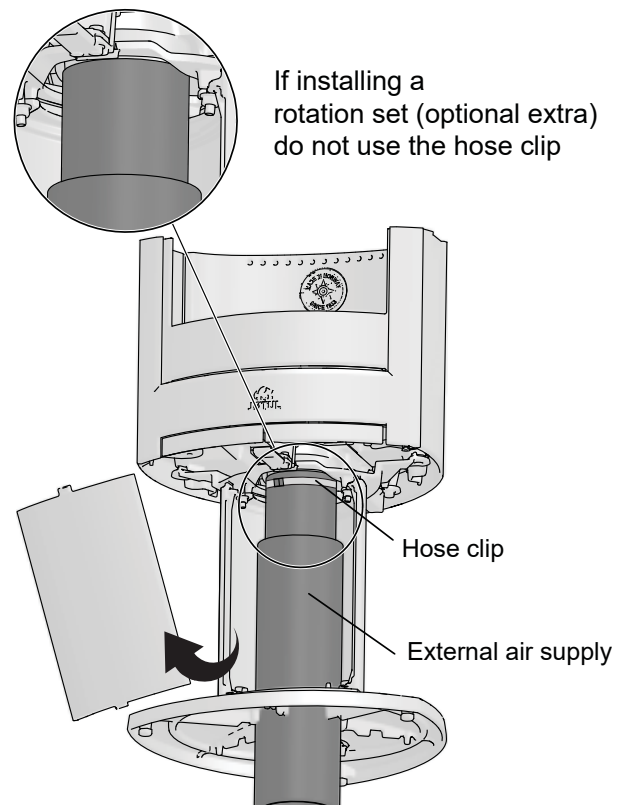
If the Jøtul F 363 Advance is to be installed with an external air supply through the floor, the outside air inlet (A) must first be rotated.

Fig. 18



1. Unscrew the screws (C). Rotate the outside air cover so that the opening is positioned in the middle.

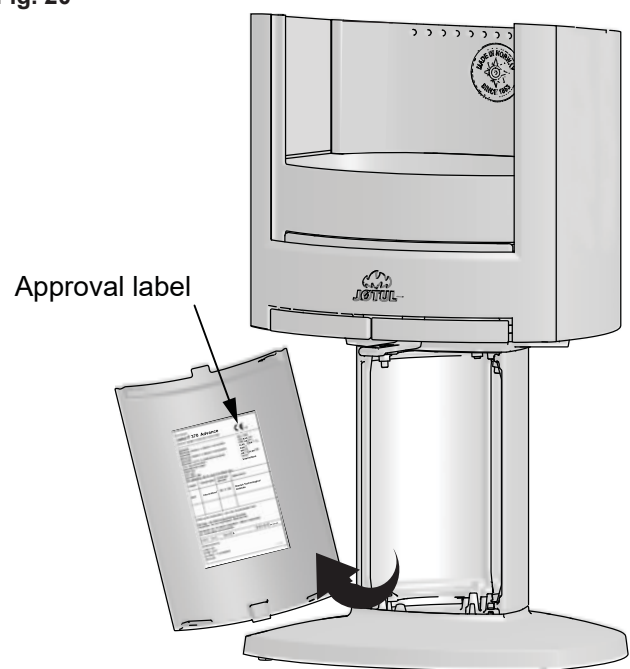
Fig. 19



2. The external air kit is attached to the external air inlet on the underside of the burn chamber. **NB: If a rotating set is to be installed, this must be fitted before the stove is raised into the upright position.** See the assembly instructions included in the rotation set.

4.6 Location of approval label

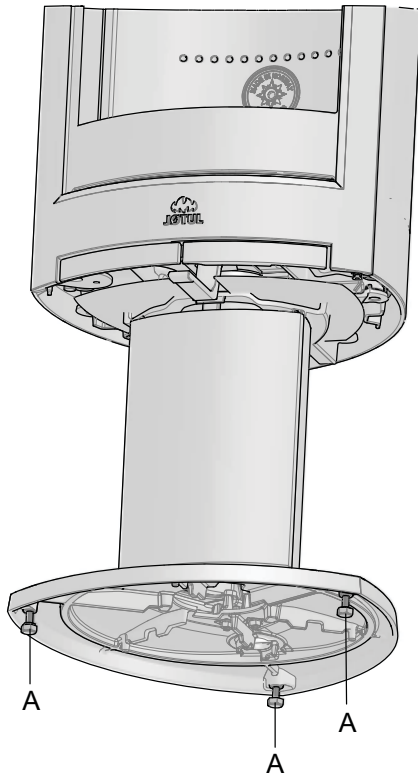
Fig. 20



1. Remove the front cover from the pedestal.
2. Attach the approval label (A), which is inside the ash pan, to the inside of the front cover. (This label is important for the approval of the product).

ENGLISH

Fig. 21



Level the product using the 3 adjustment screws (A).
NB: If using a glass floor plate (cat. no. 50012994), the product should be raised about 8-10 mm from the floor using the 3 adjustment screws.

4.7 Chimney and flue pipe

- The fireplace must only be connected to a chimney and flue pipe approved for solid fuel fireplaces with flue gas temperatures as specified in «2.0 Technical Data».
- The specified distance to flammable materials, applies to this stove.
- The stove must be installed with a CE approved flue.
- The distance of the flue pipe to combustible materials must also be observed.
- The cross-section of the chimney must be designed to fit the fireplace. Use «2.0 Technical Data» to calculate the correct chimney cross-section.
- The chimney must be connected in accordance with the installation instructions of the chimney supplier.
- Before a hole is made in the chimney, the product should be test-mounted in order to correctly mark the position of the fireplace and the hole in the chimney. See **fig. 1** for minimum dimensions.
- With a rear outlet, use a flue pipe bend with a sweep hatch to allow sweeping.
- Please note that it is extremely important for connections to have a degree of flexibility. This is to prevent any movement in the installation leading to the formation of cracks.
- For recommended chimney draught, see «2.0 Technical Data». For flue pipe dimension see “2.0 Technical Data”.
NB: The chimney’s diameter must be at least just as big as the flue pipe.

NB! The minimum recommended chimney length is 3.5 m from the flue pipe insert. If the draught is too strong, a flue pipe damper can be installed and used to reduce the draught.

How wind and weather affect the stove

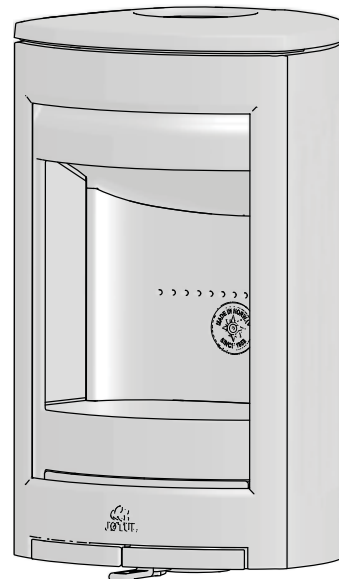
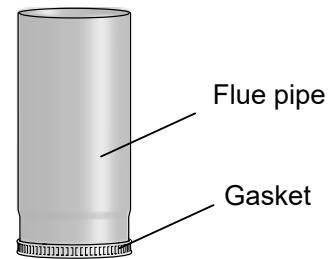
The performance of the stove can be affected considerably by the wind acting on the chimney at different strengths. It may therefore be necessary to adjust the air supply to ensure good combustion performance. It might also be a good idea to install a damper in the flue pipe so that the chimney draught can be regulated according to the strength of the wind.

Fog and mist can have a significant impact on the chimney draught and it might be necessary to use other combustion air settings to ensure good performance.

Assembly of flue pipe with top outlet

The product is assembled for a top outlet as standard.

Fig. 22



1. Fit the gasket to the bottom end of the flue pipe.
2. Insert the flue pipe into the top plate.

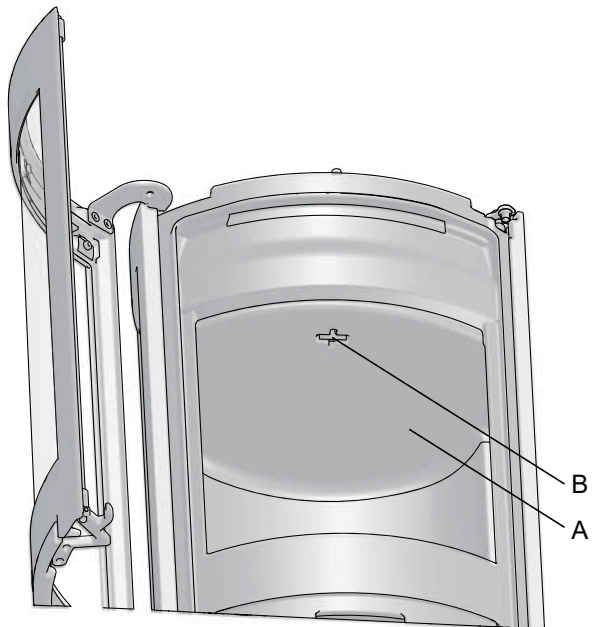
Assembly of flue pipe with rear outlet

The product is assembled with the smoke outlet fitted for a top outlet as standard. If you want a rear outlet, proceed as follows:

- Position the product correctly (see fig. 1).

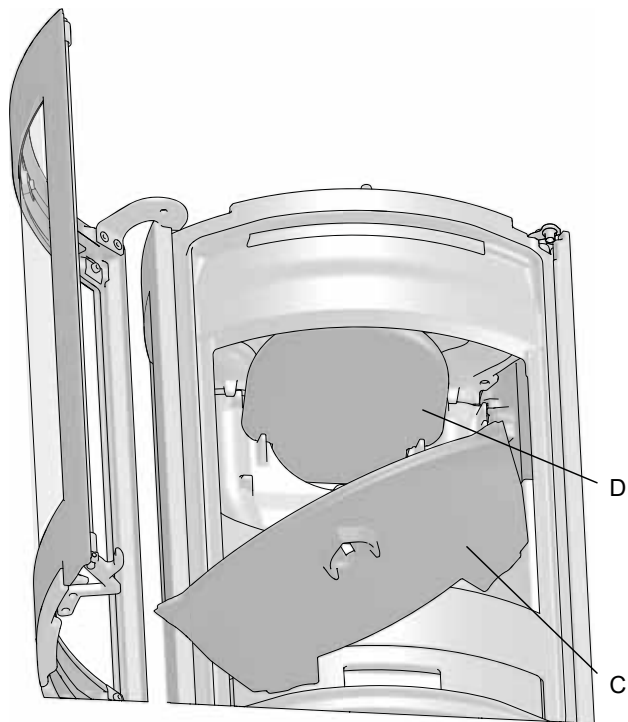
The first step when changing a top outlet to a rear outlet is to remove the baffle and exhaust deflectors inside the burn chamber.

Fig. 23



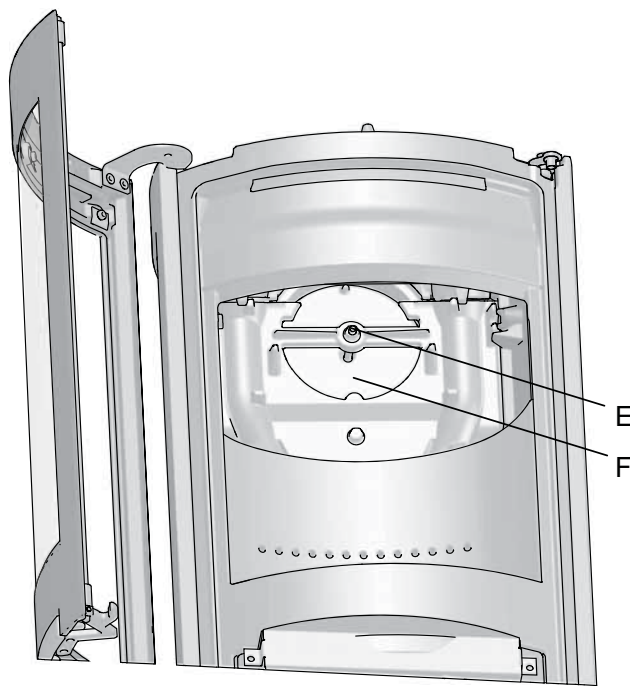
1. Lift the baffle and turn the key (B) 90° in the baffle (A) and then remove the key.
2. Lift the rear edge of the baffle (A) and tilt it out

Fig. 24



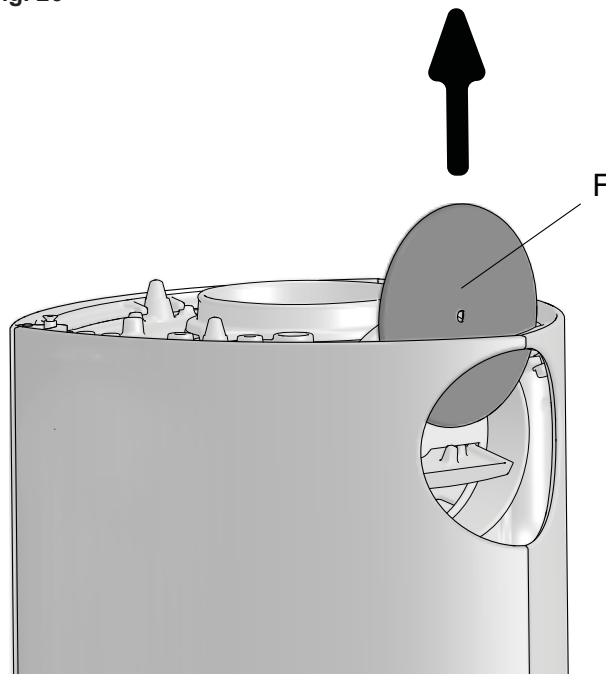
3. Lift the rear edge of the lower exhaust deflector (C) and tilt it out.
4. Then remove the upper exhaust deflector (D).

Fig. 25



5. Unscrew the screw (E) that is holding the cover (F) in place.

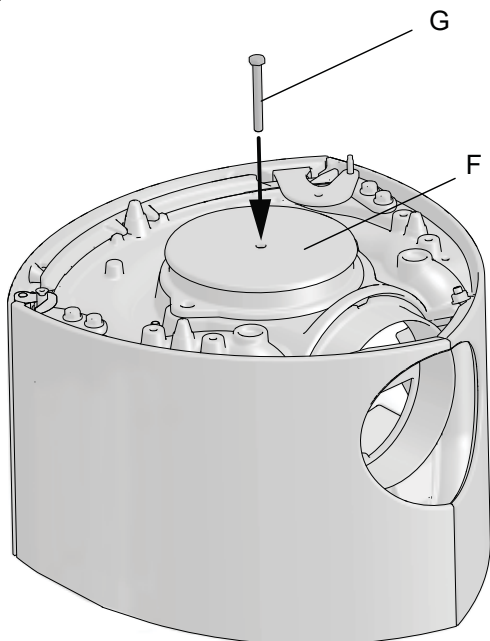
Fig. 26



6. Pull the cover (F) up.

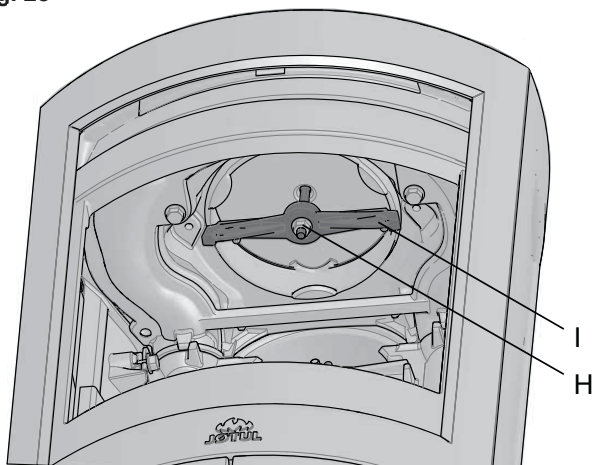
ENGLISH

Fig. 27



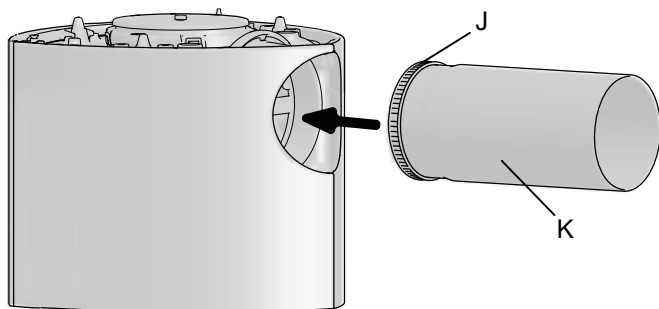
7. Place the cover from the rear outlet in the top outlet and screw into place.

Fig. 28



8. Attach the traverse (I) from the ash pan to the screw (G) using the nut (H).

Fig. 29



9. Place the gasket (J) on the edge of the flue pipe (K).
 10. Insert the flue pipe into the smoke outlet.
 11. Put the top plate and lid back in place.

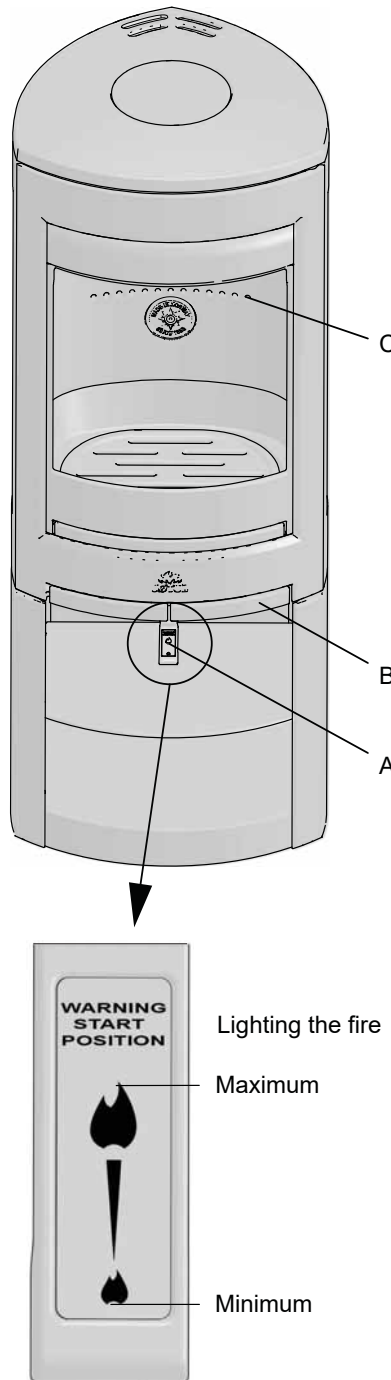
NB: It is important for the joints/flue pipes to be sealed completely. Air leaks may prevent them from operating properly.

4.8 Performance check

Once the product has been assembled, always check the control handles. These should move easily and work in a satisfactory manner.

The Jøtul F 360 Advance is equipped with the following operating options:

Fig. 30



Air and ignition vent (A)

Pushed in: Closed
 Pulled out fully: Open

Door handle (B):

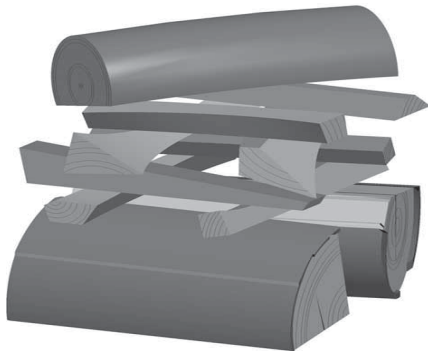
Open by pulling the handle out.

Stacking height (C) for logs (*the holes must not be covered*).

4.9 Use

- Open the air vent and the ignition vent by pulling it out all the way **(A)**. If necessary, keep the door slightly open. *(Use a glove, for example, as the handle can become hot.)*
- Place two medium sized logs in/out on each side of the base. **N.B.** In order to avoid sooting on the glass, it is important that the log is not placed adjacent to the glass on the product.
- Crumple some newspaper (or birch bark) between these and add some kindling wood in a criss-cross pattern on top and light the newspaper.
- Gradually increase the size of the fire, but the wood should not be stacked higher than the horizontal holes on the back burn plate. See **fig. 30 C**.
- Finally, place a medium-sized log on the top of the pile.
- Place 2 or 3 briquettes or kindling sticks under the top layer of kindling and light the fire.
- **NB: The maximum height of the pile of the wood should be just below the horizontal holes. The holes must not be covered.**
- Check that the afterburning (secondary combustion) starts. This is best indicated by yellow, flickering flames under the baffle.
- Then regulate the rate of combustion to the desired level of heating by adjusting the air vent **(fig. 30 A)**.
- Close the stove door. It must always be closed when the fire is lit.

Fig. 31



Adding firewood

Stoke the stove frequently but only add small amounts of fuel at a time. If the stove is filled too full, the heat created may cause extreme stress in the chimney. Add fuel to the fire in moderation. Avoid smouldering fires as this produces the most pollution. The fire is best when it is burning well and the smoke from the chimney is almost invisible.

4.9 Danger of overheating

The fireplace must never be used in a manner that causes overheating.

Overheating occurs when there is too much fuel and/or too much air so that too much heat develops. A sure sign of overheating is when parts of the fireplace glow red. If this happens, reduce the air vent opening immediately.

Seek professional advice if you suspect that the chimney is not drawing properly (too much/too little draught). For further information, see «4.0 Installation» (Chimney and flue pipe).

Condensation

Condensation in a fireplace / flue pipe / chimney may occur. This may be caused by moist firewood or differences in temperature in the fireplace and environment.

Condensed water coming from the fireplace appears as a black, tar-like liquid. This should be wiped off immediately to avoid discoloration of the fireplace, floor or surrounding building components.

It is important to get the wood burning quickly to avoid condensation

If the condensation continues, mineral sand can be placed on the bottom plate.

4.10 Ash removal

Jøtul F 360 Advance has an ash pan which makes it easy to remove the ashes.

- Only remove ashes when the fireplace is cold.
- Push/pull the handle for the ash grate/ignition vent out and in several times so that the ashes fall down into the ash pan. Use something like a glove to grab the handle on the ash pan.
- Make sure that the ash pan doesn't fill up so high that it keeps ash from coming through the grate into the pan.

5.0 Daily use

Odours when using the fireplace for the first time
When the fireplace is used for the first time, it may emit an irritating gas which may smell slightly. This happens because the paint dries. The gas is not toxic but the room should be thoroughly ventilated. Let the fire burn with a high draught until all traces of the gas have disappeared and no smoke or odours can be detected.

Heating advice

NB: Logs that have been stored outdoors or in a cold room should be brought indoors 24 hours before use to bring them up to room temperature.

There are various ways of heating the stove but it is always important to be careful about what you put in the stove. See the section on “**Wood quality**”.

Wood quality

By quality wood we mean most well-known types of wood such as birch, spruce and pine.

The logs should be dried so that the moisture content is no more than 20%.

To achieve this, the logs should be cut during the late winter. They should be split and stacked in a way that ensures good ventilation. The wood stacks should be covered to protect the logs from rain. The logs should be brought indoors during early autumn and stacked/stored for use in the coming winter.

ENGLISH

Be especially careful never to use the following materials as fuel in your fireplace:

- Household rubbish, plastic bags, etc.
- Painted or impregnated timber (which is extremely toxic).
- Laminated wooden planks.
- Driftwood

These may harm the product and are also pollutants.

NB: Never use petrol, paraffin, methylated spirit or similar liquids to light the fire. You may cause serious injury to yourself and damage to the product.

Wood consumption

Jøtul F 360 Advance has a nominal heat output of **ca. 6 kW**. Use of wood, with nominal heat emission: Approx. **2,1 kg/h**. Another important factor for proper fuel consumption is that the logs are the correct size. The size of the logs should be:

Kindling:

Length: 27-30 cm

Diameter: 2-5 cm

Amount per fire: 6-8 pieces

Firewood (split logs):

Length: Ca 27 - 30 cm

Diameter: Approx. 8 cm

Intervals for adding wood: Approximately every 45 minutes

Size of the fire: 1.6 kg

Amount per load: 2 pieces

Nominal heat output is achieved when the ignition and air vent is open approximately 22% (**fig. 30 A**), pulled out about 12,5 mm.

5.1 How wind and weather affect the stove

The performance of the stove can be affected considerably by the wind acting on the chimney at different strengths. It may therefore be necessary to adjust the air supply to ensure good combustion performance. It might also be a good idea to install a damper in the flue pipe so that the chimney draught can be regulated according to the strength of the wind.

Fog and mist can have a significant impact on the chimney draught and it might be necessary to use other combustion air settings to ensure good performance.

5.2 The importance of the chimney

The chimney is the engine that drives the fireplace and it's essential to have a good chimney in order for the fireplace to function properly.

The draught in the chimney creates a vacuum in the stove. The combustion air is also used for the airwash system that keeps the window clear of soot.

The draught in the chimney is caused by the difference in temperatures inside and outside the chimney. The greater the temperature difference, the better the draught in the chimney. It is therefore important to allow the chimney to reach operating temperature before adjusting the air vents to restrict combustion in the stove (a brickwork chimney takes longer to reach operating temperature than a steel chimney).

It is particularly important to reach operating temperature as quickly as possible on days on which the draught in the chimney is poor due to unfavourable wind and weather conditions. Make sure the fuel ignites as quickly as possible. Practical tip: Chop the wood into much smaller pieces and use an extra firelighter.

NB: If the stove has not been used for some considerable time, it is important to check the chimney pipe for blockage.

6.0 Maintenance

6.1 Cleaning the glass

The product is equipped with an air wash for the glass. Air is sucked in through the air vent on the top of the product and down along the inside of the glass.

However, some soot will always stick to the glass, but the quantity will depend on the local draught conditions and adjustment of the air vent. Most of the soot layer will normally be burned off when the air vent is opened all the way and a fire is burning briskly in the fireplace.

Good advice! For normal cleaning, moisten a paper towel with warm water and add some ash from the burn chamber. Rub it over the glass and then clean the glass with clean water. Dry well. If it is necessary to clean the glass more thoroughly we recommend using a glass cleaner (*follow the instructions on the bottle*).

6.2 Cleaning and soot removal

Soot deposits may build up on the internal surfaces of the fireplace during use. Soot is a good insulator and will therefore reduce the fireplace's heat output. If soot deposits accumulate when using the product, they can be easily removed by using a soot remover.

In order to prevent a water and tar layer from forming in the fireplace you should regularly allow the fire to burn hot in order to remove the layer. An annual internal cleaning is necessary to get the best heating effect from the product. It is a good idea to do this in connection with the sweeping of the chimney and flue pipes.

6.3 Sweeping of flue pipes to the chimney

On certain free-standing fireplaces the top plate can be lifted off and the pipe swept through the top.

Otherwise, flue pipes must be swept through the flue pipe sweeping hatch or through the product's door opening. Then, the baffle must be removed.

6.4 Inspection of the fireplace

Jøtul recommends that you personally inspect your fireplace carefully after sweeping/cleaning. Check all visible surfaces for cracks. Also check that all joints are sealed and that the gaskets are in the correct position. Any gaskets showing signs of wear or deformation must be replaced.

Thoroughly clean the gasket grooves, apply ceramic glue (available from your local Jøtul dealer), and press the gasket well into place. The joint will dry quickly.

6.5 Exterior maintenance

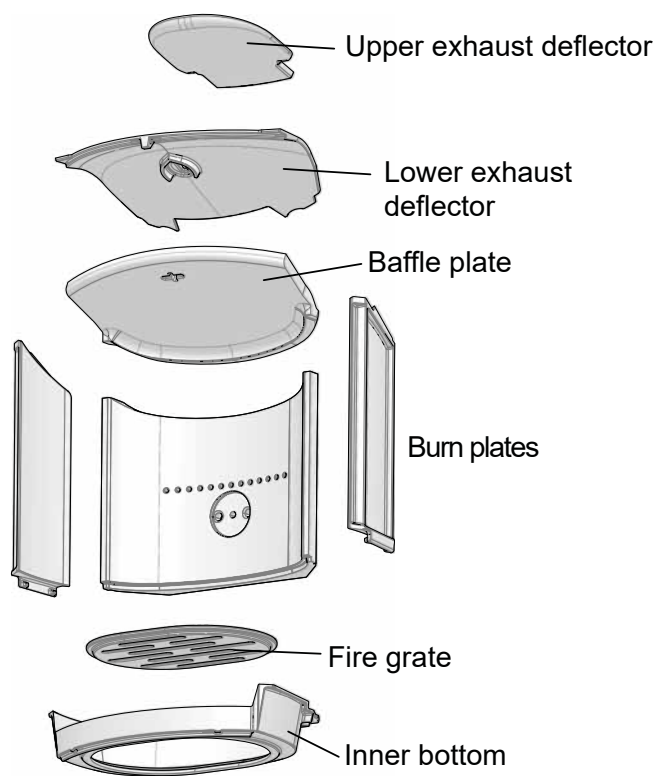
Painted products may change colour after several years usage. The surface should be cleaned and brushed free of any loose particles before new paint is applied.

Important! Never place anything on the top plate of the stove. This could cause permanent damage to the paint or enamel.

7.0 Service

Any unauthorised modifications to the product are prohibited!
Only original spare parts may be used!

Fig. 32



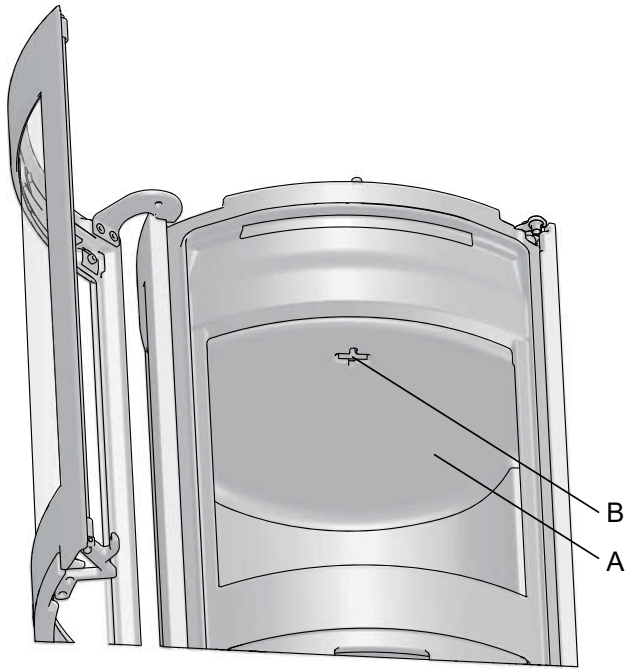
ENGLISH

7.1 Replacing parts in the burn chamber

Use tools with great care. The Skamol panel (back burn plate) should be handled with care to avoid damage.

Replacing the baffle plate

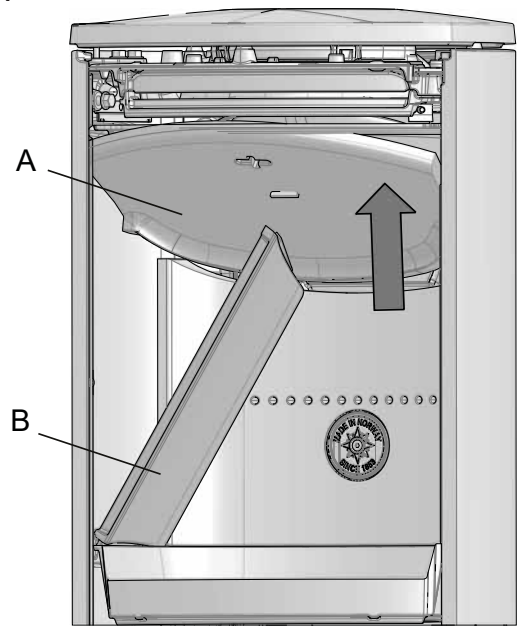
Fig. 33



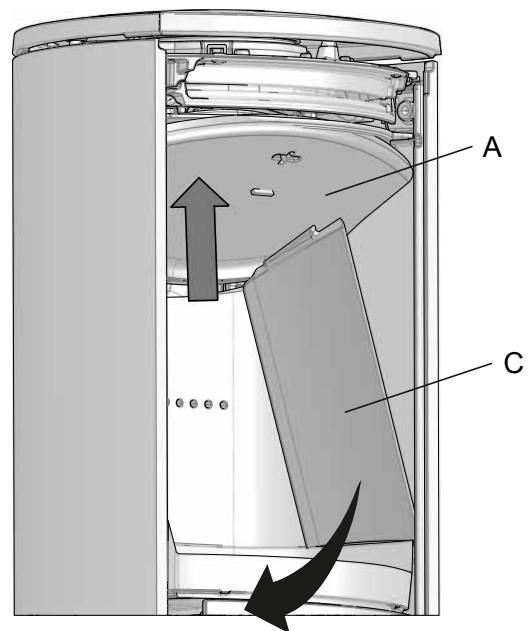
1. Lift the baffle plate (A) and turn the key (B) 90° in the baffle plate (A) and then remove the key. Lift the rear edge of the baffle plate and tilt it out.

Replacing the burn plates

Fig. 34

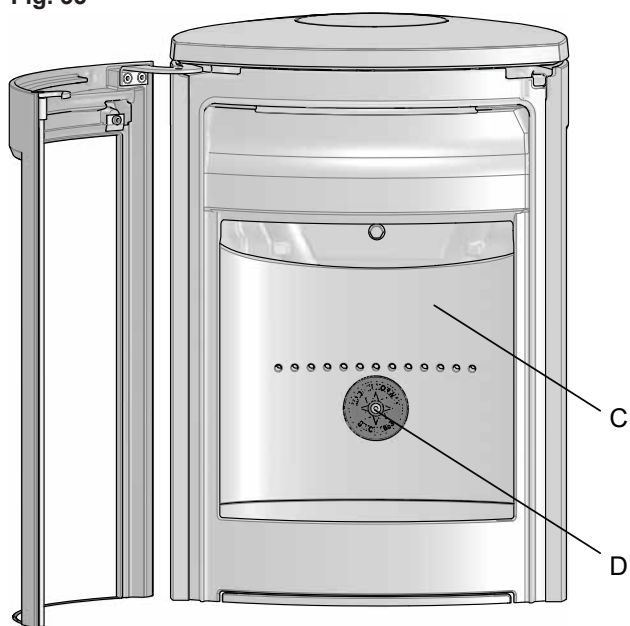


1. Lift the baffle plate (A) slightly and remove the side burn plate (B) from the burnchamber. Note! The baffle plate keeps the side burn plates in position. Make sure that the burn plates do not fall down when the baffle plate is being lifted.



2. Remove the side burn plate (C) on the other side from the burnchamber.

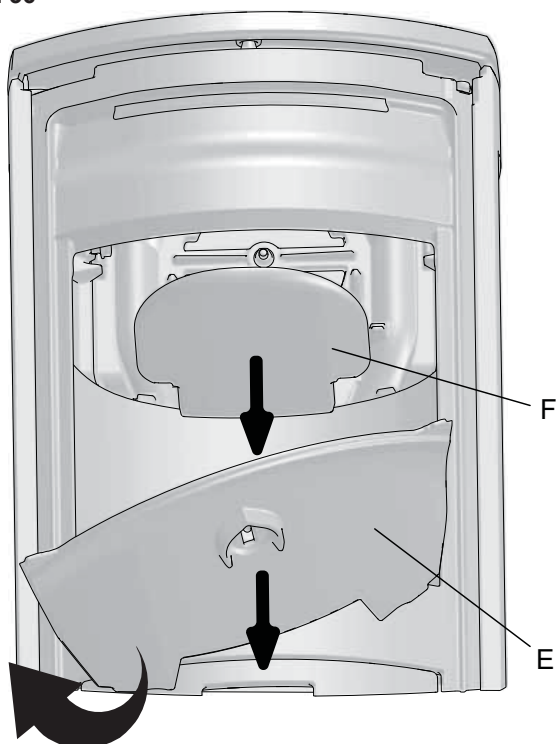
Fig. 35



3. Remove the burn plate (C) by unscrewing the screw (D) in the centre of the fixing plate. Lift it up and tilt the burn plate out.

Replacing the exhaust deflectors

Fig. 36



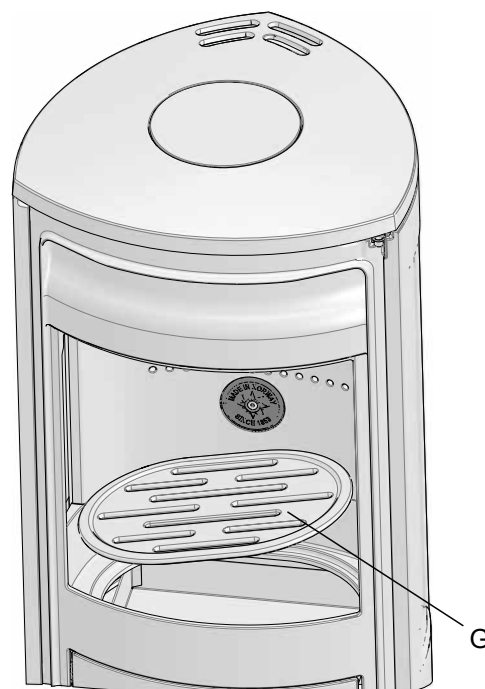
4. The lower and upper exhaust deflectors are located above the baffle plate. Remove the lower deflector (E) by lifting it at the rear edge and tilting it out.
5. Lift the upper deflector (F) out of the grooves and remove it from the burn chamber.

When refitting, follow the same procedure in reverse order.

7.2 Replacing the inner bottom and fire grate

(If using tools, it is important that the Imidesign panel is handled with care to avoid damage).

Fig. 37



1. Lift the baffle plate and turn the key (fig. 33 B) 90° in the baffle plate (fig. 33 A) and then remove the key. Lift the rear edge of the baffle plate (G) and tilt it out.
2. Remove the burn plate (fig. 33 C) by unscrewing the screw (fig. 33 D) in the centre of the fixing plate. Lift the burn plate and tilt it out.
3. Remove the fire grate (fig. 36 G).

Fig. 38

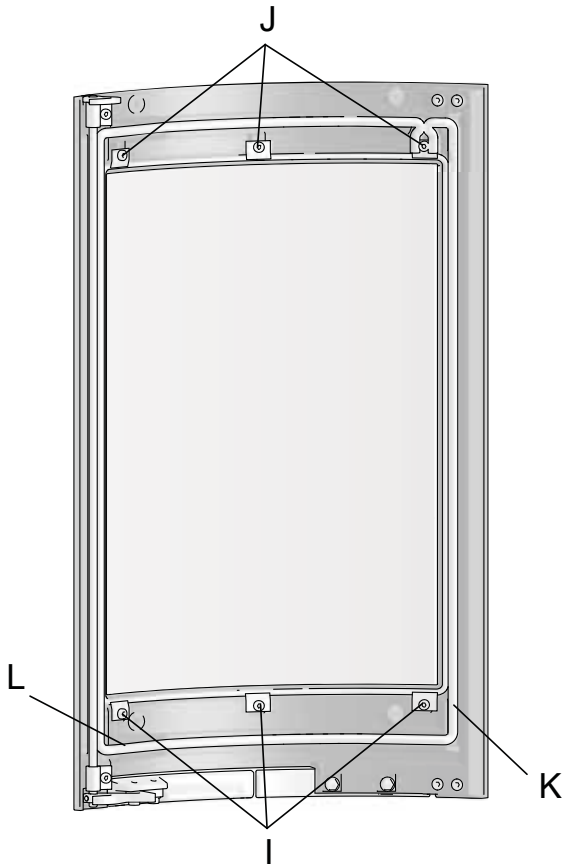


4. Lift the inner bottom (H) and tilt it out.
- When refitting, follow the same procedure in reverse order.**

ENGLISH

7.3 Replacing the door glass and gaskets

Fig. 39



5. To replace the door glass, first unscrew the bottom 3 screws (I). Then unscrew the top 3 screws (J). Remove the glass.
6. Remove the damaged gaskets (inside (L) and/or outside (K)). Clean the gasket groove, apply new glue and press the new gaskets into place.

8.0 Operational problems - troubleshooting

Poor draught

Check the length of the chimney and that it complies with national laws and regulations. (See also «2.0 Technical data» and «4.0 Installation» (Chimney and flue pipe) in the installation manual for information.)

Make sure that the minimum cross section on the chimney is according to «2.0 Technical data» in the installation manual. Make sure that there is not anything preventing the smoke gasses from escaping: branches, trees, etc.

Upon suspicion of excessive/poor draught in the chimney, seek professional help for measurement and adjustment.

The fire extinguishes after a while

- Make sure that the firewood is sufficiently dry.
- Find out whether there is negative pressure in the house, close mechanical fans and open a window close to the fireplace.
- Check that the air vent is open.
- Check that the flue outlet is not clogged by soot.

Unusual amount of soot accumulates on the glass

Some soot will always stick to the glass, but the quantity depends on:

- Moisture in the fuel.
- The local draught conditions.
- Air vent opening.

Most of the soot will normally burn off when the air vent is opened all the way and a fire is burning briskly in the fireplace. (See «6.1 Cleaning the glass».)

9.0 Optional equipment

9.1 Rotating kit

(See separate installation manual)
Rotating set for Jøtul F 363 Advance, - art. no. 51050989

9.2 Cast iron door for base (Jøtul F 361 Advance)

Black paint - art. no. 51050944

9.3 High Top

Art no. 51050934

9.4 Heat storage system

Art. no. 10026701

9.5 Outside air connection

Ø 100 mm, art. no. 51012164

9.6 Soapstone top, complete

Art. no. 22052834, BP

10.0 Recycling

10.1 Recycling packaging

Your fireplace is delivered with the following packaging:

- A wooden pallet that can be cut up and burned in the fireplace.
- Cardboard packaging that should be taken to a local recycling facility.
- Plastic bags that should be taken to a local recycling facility.

10.2 Recycling the fireplace

The fireplace is made of:

- Metal that should be taken to a local recycling facility.
- Glass that should be disposed of as hazardous waste. The glass in the fireplace must not be placed in a regular source segregation container.
- Vermiculite burn plates that can be disposed of in regular waste containers.

11.0 Guarantee terms

1. Our guarantee covers:

Jøtul AS guarantees that the external cast-iron parts are free from defects in materials or manufacturing at the time of purchase. You may extend the guarantee on the external cast-iron parts to 25 years from the date of delivery by registering the product on jotul.com, and print out the extended guarantee card within three months of purchase. We recommend that the guarantee card be kept together with the receipt. Jøtul AS also guarantees that steel plate parts are free from defects in materials or manufacturing at the time of purchase for a period of 5 years from the date of delivery.

The guarantee applies on the condition that the stove has been installed by a qualified installer in accordance with applicable laws and regulations and Jøtul's installation and operating instructions. Repaired products and replacement items are guaranteed within the original guarantee period.

2. The guarantee does not cover:

- 2.1. Damage to consumables such as burn plates, fire grates, flue baffles, gaskets and similar as these deteriorate over time due to normal wear and tear.
- 2.2. Damage caused as a result of improper maintenance, overheating, use of unsuitable fuel (e.g. of unsuitable fuel are, but not limited to driftwood, impregnated wood, plank offcuts, chipboard) or too moist / wet wood.
- 2.3. Installation of optional extras for the purpose of rectifying local draught conditions, air supply or other circumstances beyond Jøtul's control.
- 2.4. Cases involving alterations / modifications to the fireplace without Jøtul's consent or the use of non-original parts.
- 2.5. Damage caused during storage at a distributor, transport from a distributor or during installation.
- 2.6. Products sold by unauthorized sellers in areas where Jøtul operates a selective distribution system.
- 2.7. Associated cost (e.g. but not limited to, transport, manpower, travel) or indirect damages.

Pellets stoves, glass, stone, concrete, enamel and paint finish (e.g. but not limited to chipping, cracking, bubbling or discolouration and crazing) are applicable to the national legislation governing the sale of consumer goods. This guarantee is valid for purchases made within the territory of the European Economic Area. All guarantee inquiries must be addressed to your local authorized Jøtul dealer within a reasonable amount of time, which shall not be later than 14 days from the date on which the fault or defect first became apparent. See list of importers and dealers on our web site www.jotul.com.

If Jøtul is unable to meet the obligations outlined in the above guarantee terms, Jøtul will offer a replacement product with a similar heating capacity free of charge.

Jøtul reserve the right to decline of any replacement of parts or service in the event that the guarantee is not registered online. This guarantee does not affect any rights under applicable national legislation governing the sale of consumer goods. The national complaint right applies from the purchase date and only in exchange for a receipt / serial number.

FRANCAIS

Sommaire

1.0 Relations avec les autorités	24
2.0 Données techniques	24
3.0 Sécurité	25
4.0 Installation	29
5.0 Utilisation au quotidien	38
6.0 Entretien.....	39
7.0 Maintenance	40
8.0 Dysfonctionnements - Causes et dépannages	43
9.0 Équipements disponibles en option ..	43
10.0 Recyclage	43
11.0 Conditions de garantie	44

Enregistrez votre insert sur jotul.com pour la garantie de 25 ans.

Product: Jøtul Room heater fired by solid fuel				
Standard Minimum distance to adjacent combustible materials: Minimum distance to adjacent non-combustible materials: Emission of CO in combustion products: Flue gas temperature Nominal heat output Efficiency Operation range Fuel type Operational type The appliance can be used in a shared flue.				
Country	Classification	Certification standard	Approved by	
Norway	Klasse II			
Sweden	vol.	EP	SP Sveriges Provnings- och forskningsinstitut AB	
EUR	Intermittent	EN	SP Swedish National Testing and Research Institute	
Follow user's instructions. Use only recommended fuels. Montage- und Bedienungsanleitung beachten. Verwenden Sie nur empfohlenen Brennstoffen. Respectez les consignes d'utilisation. Utilisez uniquement les combustibles recommandés.				
Serial no. Y-xxxx, Year: 200x				
Manufacturer: Jøtul AS POB 1441 N-1622 Fredrikstad Norway				221546

Tous nos produits sont livrés avec une étiquette reprenant le numéro de série et l'année. Reportez ce numéro à l'endroit indiqué dans les instructions d'installation.

N'oubliez pas de le mentionner à chaque fois que vous contactez votre revendeur ou Jøtul.

Serial no.

1.0 Relations avec les autorités

L'installation d'un poêle est soumise aux législations et réglementations nationales en vigueur. Les réglementations locales, y compris celles se rapportant aux normes nationales et européennes, doivent être respectées lors de l'installation du produit.

Veuillez lire attentivement le manuel d'installation et d'utilisation avant de procéder à l'installation. L'installation ne doit pas être utilisée avant d'avoir été inspectée et approuvée.

Une plaque signalétique thermorésistante se trouve dans le cendrier, sous l'appareil. Elle comporte les informations suivantes : fabricant, adresse, nom du produit, référence catalogue, norme de fabrication, référence de production et puissance.

2.0 Données techniques

Matériau : fonte
 Finition : peint noir
 Combustible : bois exclusivement
 Longueur des bûches (maxi) : 33 cm
 Raccordement : supérieur, arrière
 Diamètre de raccordement : Ø150 mm
 Amenée d'air frais : Ø 100 mm

Poids :

- Jøtul F 361 Advance : env. 172 kg
 Jøtul F 361 Advance + HT : env. 201 kg
 Jøtul F 361 Advance+ HT + accumulateurs de chaleur : env. 251 kg

- Jøtul F 363 Advance : env. 164 kg

- Jøtul F 368 Advance : env. 179 kg
 Jøtul F 368 Advance + HT : env. 208 kg
 Jøtul F 368 Advance + HT + accumulateurs de chaleur : env. 258 kg

Options :

Système rotatif (Jøtul F 363 Advance), porte en fonte du pied (Jøtul F 361 Advance), High Top (HT), amenée d'air frais, accumulateurs de chaleur.

Dimensions, distances :

voir **fig. 1**

Données techniques conformes à la norme EN 13240/ (DIN plus) et NS 3058

Puissance nominale :	6,0 kW
Débit massique des fumées :	6,3 g/s
Tirage de cheminée, EN 13240 :	12 Pa
Tirage de fonctionnement :	14-16 Pa
Rendement :	78 % à 6,8 kW
Émissions de CO (13 % O ₂) :	0,06%
Émissions de CO (13 % O ₂) :	731 mg/Nm ³
NOx à 13 % O ₂ :	93 mg Nm ³
OGC à 13 % O ₂ :	45 mg/Nm ³
Consommation d'air:	5,2 litre / sec.
Température de cheminée, EN 13240 :	275 °C
Poussières :	<4 mg/Nm ³ à 13 %O ₂
Émissions de particules NS 3059 :	2,9 g / kg

Combustible :	Bois exclusivement
Longueur maximale des bûches :	33 cm
Consommation horaire :	2,1 kg/h
Quantité de bois d'allumage max. :	2,0 kg
Quantité de bois d'allumage nominal :	1,6 kg
Fonctionnement :	Intermittent

Par fonctionnement intermittent, on entend une utilisation normale du poêle dans laquelle on ajoute du bois lorsqu'il ne reste plus que des braises.

Nous vous recommandons de vous inspirer des règles du D.T.U. 24.2.2. Vous devez lire entièrement le présent manuel avant de commencer l'installation et le conserver pendant toute la durée de l'utilisation du poêle.

3.0 Sécurité

Remarque : Afin d'assurer un niveau de rendement et de sécurité optimal, l'installation d'un poêle Jøtul doit être confiée à un installateur qualifié (voir www.jotul.com pour la liste complète de nos revendeurs).

Toute modification de l'appareil risque de compromettre le bon fonctionnement de l'appareil et de ses éléments de sécurité. Ceci s'applique également à l'installation d'accessoires ou d'équipements en option qui ne sont pas fournis par Jøtul. Ce risque peut par ailleurs survenir dans le cas où des pièces ou éléments essentiels pour le bon fonctionnement et la sécurité du poêle, ont été désassemblés ou retirés.

Dans tous ces cas, le fabricant ne pourra être tenu responsable pour le produit et le droit de recours à la garantie sera rendu nul et sans effet.

3.1 Mesures de prévention anti-incendie

Toute utilisation du poêle comporte un certain degré de risques. C'est pourquoi, il est indispensable de toujours respecter les consignes de sécurité suivantes :

- Les distances minimales à respecter en utilisant le poêle ressortent de la figure 1. La distance avec les matériaux inflammables et ininflammables spécifiée s'applique à ce poêle. Le poêle doit être installé avec un conduit de raccordement normalisé CE. La distance minimum entre les tuyaux et les matériaux combustibles doit aussi être respectée.
- Assurez-vous que les meubles et autres matériaux inflammables ne sont pas trop rapprochés du poêle. Pas

de matériaux inflammables dans un rayon de 1100 mm du poêle.

- Laissez le feu s'éteindre de lui-même. Ne tentez jamais d'éteindre le feu avec de l'eau.
- Le poêle devient très chaud lorsqu'il est allumé et peut provoquer des brûlures à la personne qui le touche.
- Attendez que le poêle soit froid pour retirer les cendres. Les cendres pouvant encore contenir des braises, il convient de les recueillir dans un réceptacle ininflammable.
- Il convient d'épandre les cendres à l'extérieur ou de les vider dans un endroit ne présentant aucun risque d'incendie.

En cas de feu de cheminée:

- Fermer l'ensemble des trappes et des entrées d'air.
- Maintenir la porte de la chambre de combustion fermée.
- Vérifier toute présence de fumée dans le grenier et dans la cave.
- Contacter le service de sécurité incendie.
- Suite à un feu de cheminée, le poêle et la cheminée doivent être contrôlés par un spécialiste avant toute nouvelle utilisation afin de s'assurer que l'installation est opérationnelle.

3.2 Le sol

Il convient de s'assurer que le socle présente des dimensions adaptées au poêle. Voir «**2.0 Données techniques**» pour les normes de poids. Il est recommandé d'enlever le revêtement de sol si celui-ci n'est pas fixé (parquet flottant) pendant l'installation.

Protection d'un sol en bois

Une protection du sol est intégrée à l'appareil et celui-ci peut dès lors être posé directement sur un plancher. Jøtul recommande de retirer tout revêtement de sol combustible (linoléum, moquette, etc.) sur la surface couverte par la plaque de sol.

Exigences relatives à la protection d'un revêtement de sol combustible à l'avant du poêle

La plaque avant doit être conforme aux législations et aux réglementations nationales en vigueur. Contacter les autorités locales compétentes (construction) pour connaître les restrictions et les exigences liées à l'installation.

3.2 Les murs

Distance recommandée séparant le poêle d'un matériau combustible

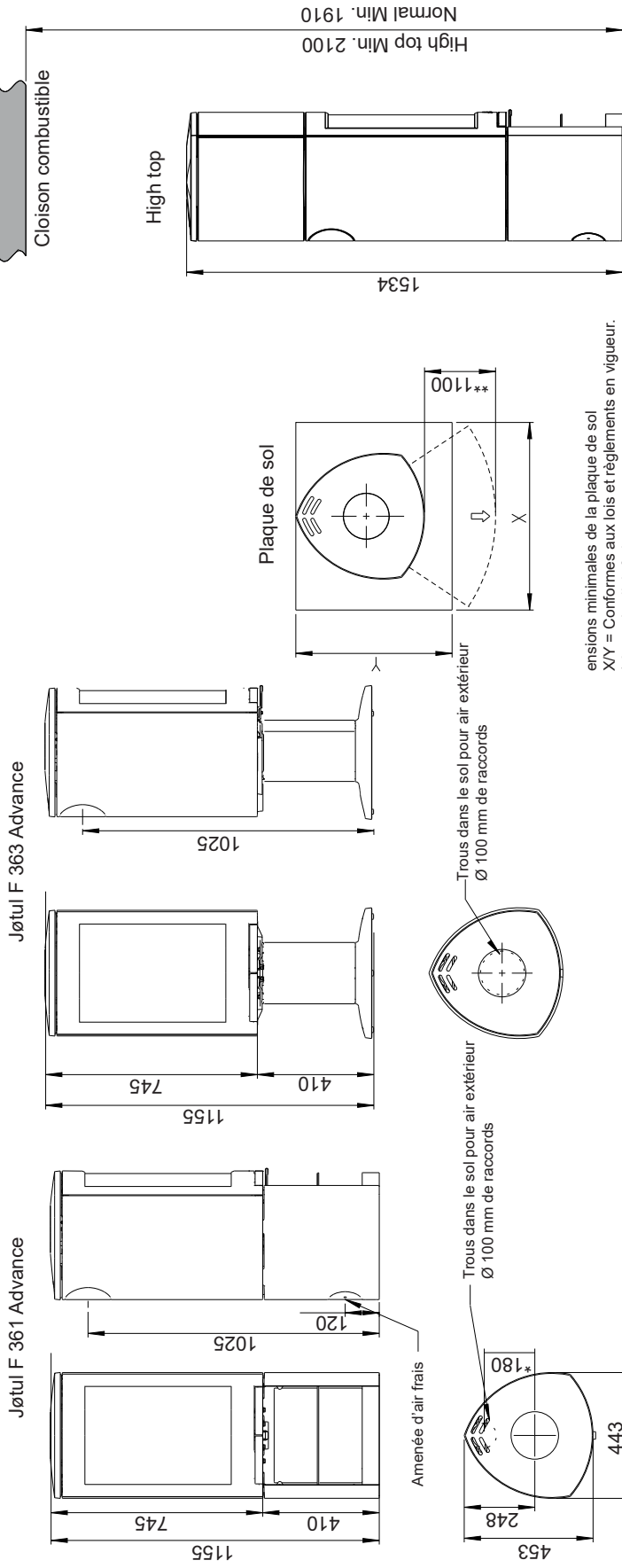
L'utilisation d'un poêle avec un conduit non isolé est autorisée, à condition que les distances séparant le poêle des matériaux combustibles du mur soient conformes à celles de la fig. 1.

Assurez-vous que les meubles et autres matériaux inflammables ne sont pas trop rapprochés du poêle. Pas de matériaux inflammables dans un rayon de 1100 mm du poêle.

3.3 Le plafond

Un espace d'au minimum 750 mm doit être respecté entre le poêle et un plafond combustible.

Fig. 1A



ensons minimales de la plaque de sol
 XY = Conformes aux lois et règlements en vigueur.
 * Amenée d'air frais
 ** Distance minimale par rapport aux meubles/ matériaux combustibles

Mur en matériau combustible

Distance par rapport à la paroi en matériau combustible avec piètement rotatif

Distance minimale par rapport au mur en matériau combustible

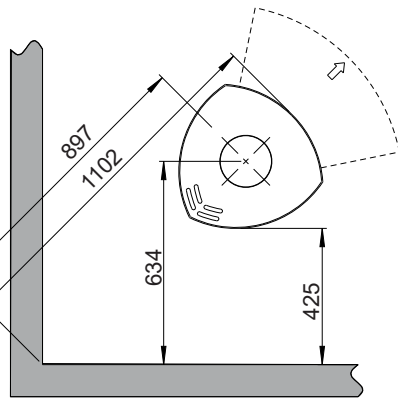
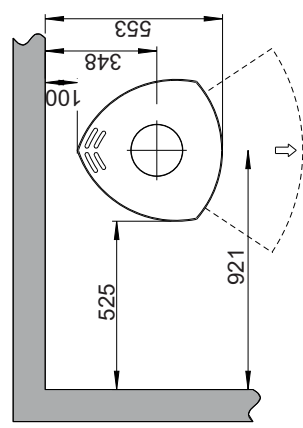
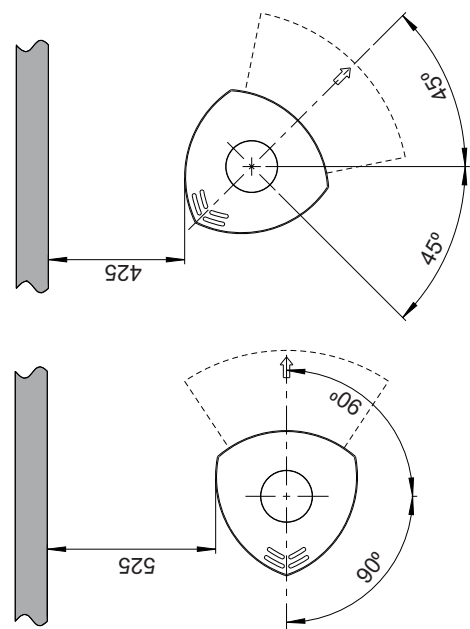
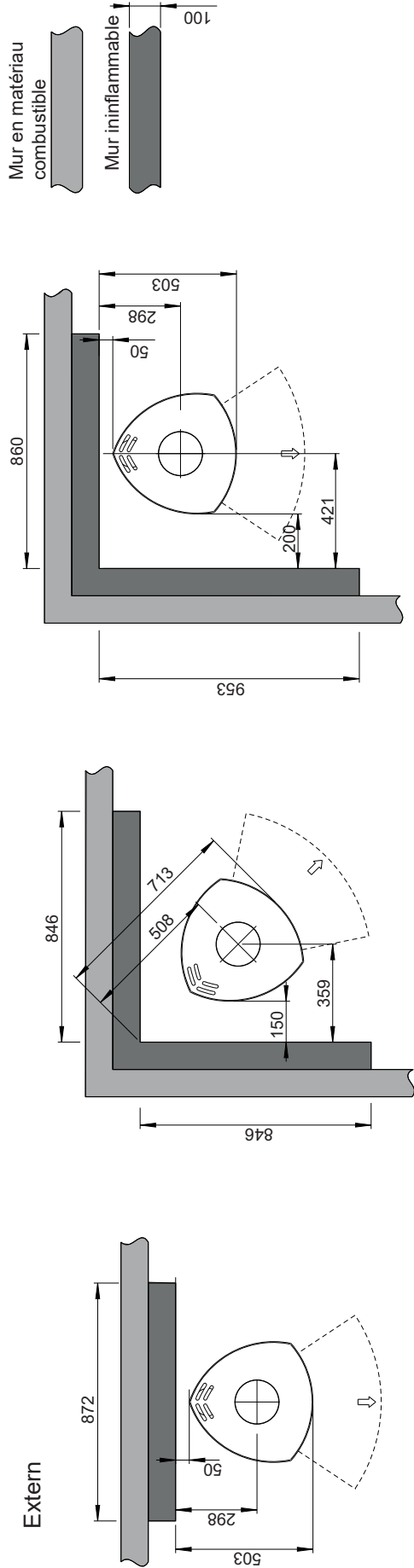
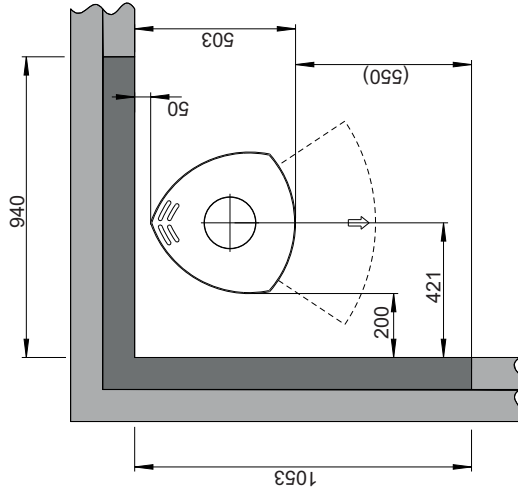
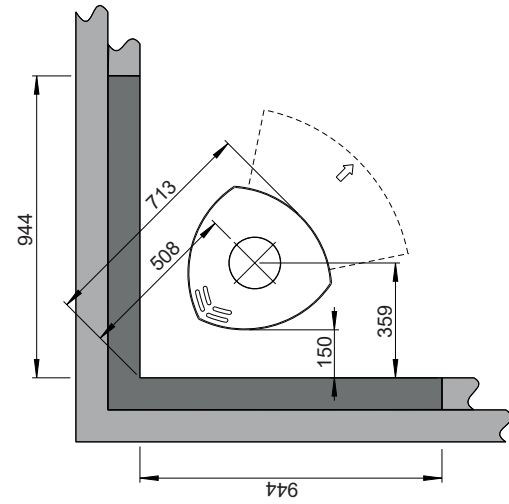
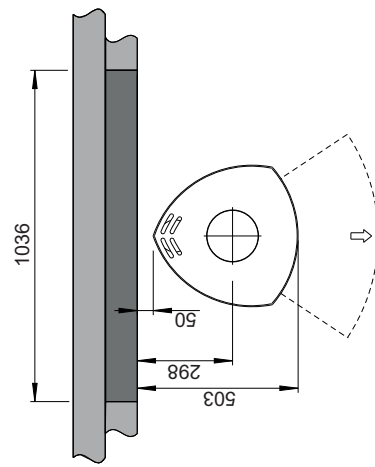


Fig. 1B

Jøtul F 360 Advance Distance minimale par rapport au mur en matériau combustible protégé par un pare-feu



Intégré



FRANCAIS

Amenée d'air frais

L'air utilisé pour la combustion doit être renouvelé en permanence. Ceci est particulièrement important dans une maison avec ventilation mécanique. Plusieurs méthodes sont possibles. Le plus important est de faire arriver l'air dans la pièce où le poêle est installé. Le clapet de mur extérieur doit être placé le plus près possible du poêle et doit pouvoir se fermer lorsque le poêle n'est pas utilisé.

Il convient de se conformer à la réglementation locale et nationale du bâtiment concernant la prise d'air extérieur.

S'assurer régulièrement que les entrées d'air de ventilation de la maison ne sont pas obstruées.

Système de combustion fermé

Il convient d'utiliser le système de combustion fermé du poêle dans les habitations de construction récente, étanches à l'air. L'air extérieur de combustion est raccordé par l'intermédiaire d'un tuyau d'aération via le mur ou le sol.

Arrivée d'air

Le volume d'air de combustion des produits Jøtul est d'environ 20 à 40 m³/h. L'arrivée d'air frais peut être raccordée directement au poêle Jøtul F 360 Advance par :

- la base
- par un tuyau flexible depuis l'extérieur ou la cheminée (seulement si celle-ci dispose d'une conduite propre pour l'air frais) et vers le raccord d'air frais de l'appareil.

Fig. 2A, par un mur

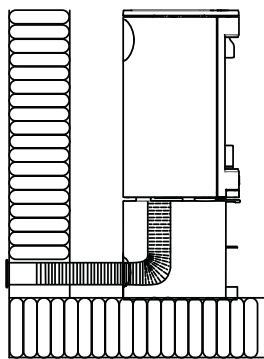


Fig. 2B, par le sol et la plaque de sol

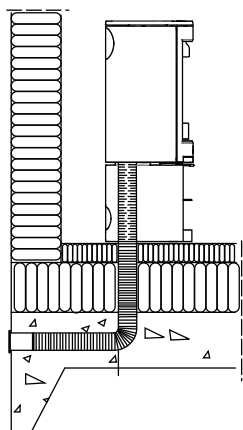


Fig. 2C, par le sol et la cave

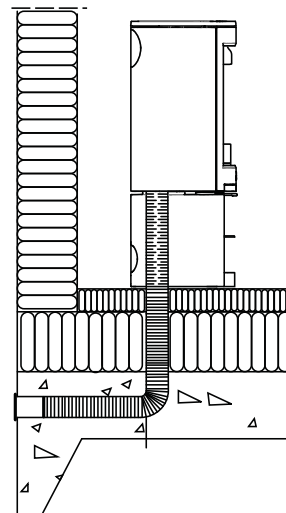
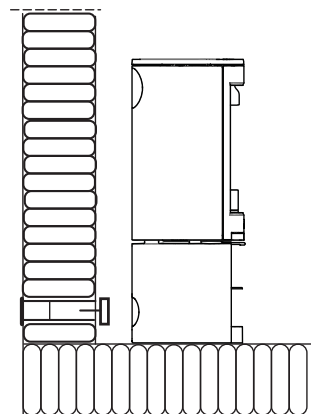


Fig. 2D, indirectement par un mur



4.0 Installation

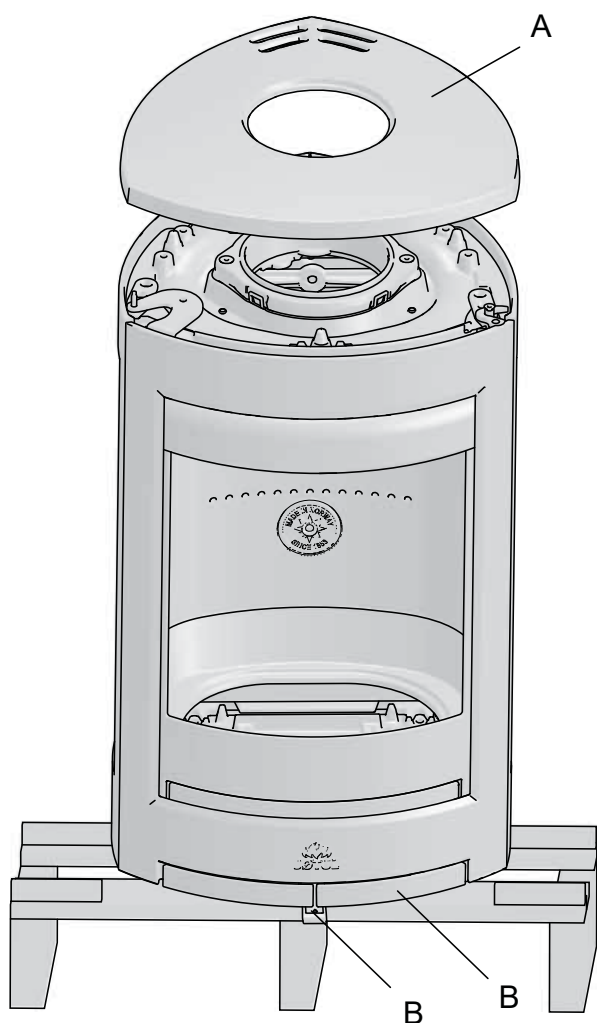
- Avant l'installation, vérifiez que le produit ne présente aucun dommage visible.
- Le produit est lourd ! Prévoyez de l'aide pour sa mise en place et son installation.
- **Assurez-vous qu'aucun meuble ou autre objet ménager ne se trouve trop près du poêle, auquel cas celui-ci pourrait les sécher.**

4.1 Avant l'installation

Le produit de base est fourni en deux colis : un premier contenant le poêle proprement dit et un deuxième contenant la base ou le piédestal en fonte.

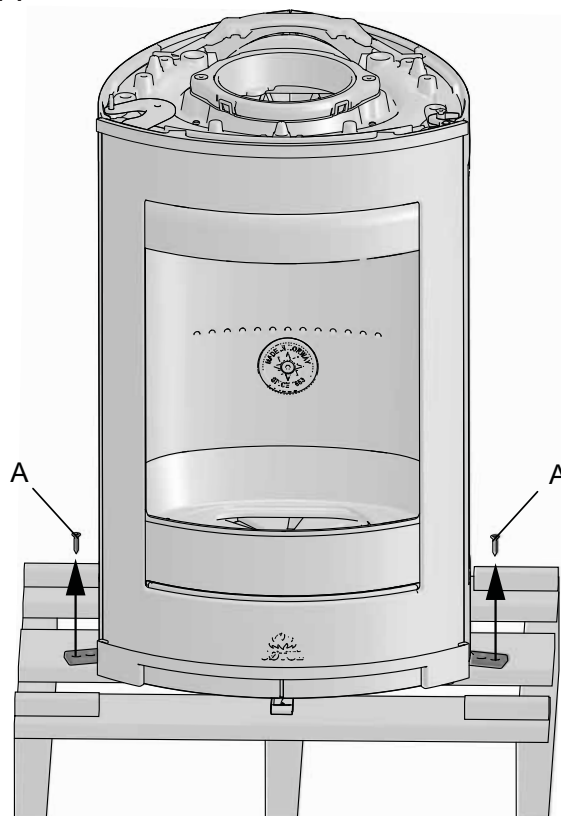
Une fois le produit déballé, sortez le bac à cendres et son contenu, la grille de poêle, les plaques de doublage, le déflecteur inférieur et le déflecteur d'évacuation. Voir les fig. 20, 21, 33 et 34

Fig. 3



1. Retirez la plaque supérieure (A).
2. Vérifiez que les poignées de commande (B) bougent librement.

Fig. 4



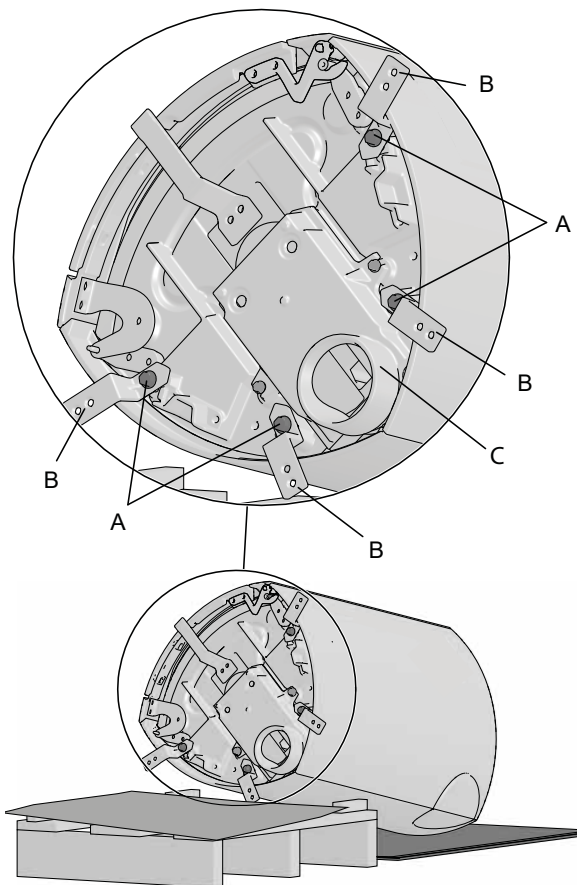
3. Retirez les quatre vis de transport (A) situées sur les côtés et à l'arrière.

FRANCAIS

4.2 Installation

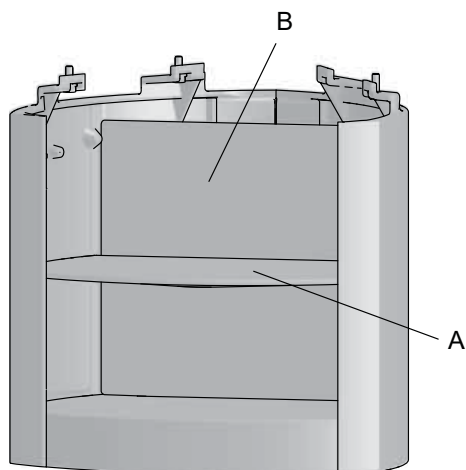
Jøtul F 361 Advance avec base

Fig. 5



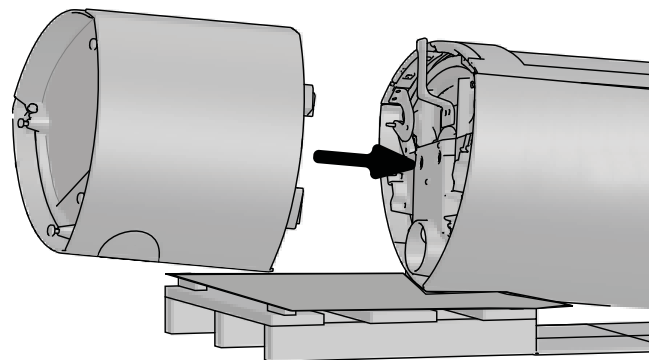
1. Déployez le carton d'emballage sur le sol. Placez l'autre carton d'emballage sur le sol pour protéger la peinture. Sur la palette, couchez délicatement le chambre de combustion sur le côté.
2. Retirez les vis (A) et les brides (B). Conservez deux vis si vous montez le piedestal.
3. Si vous utilisez une unité d'alimentation en air frais via le sol, commencez par pivoter l'admission en air extérieur (C) (Fig. 15.A).

Fig. 6



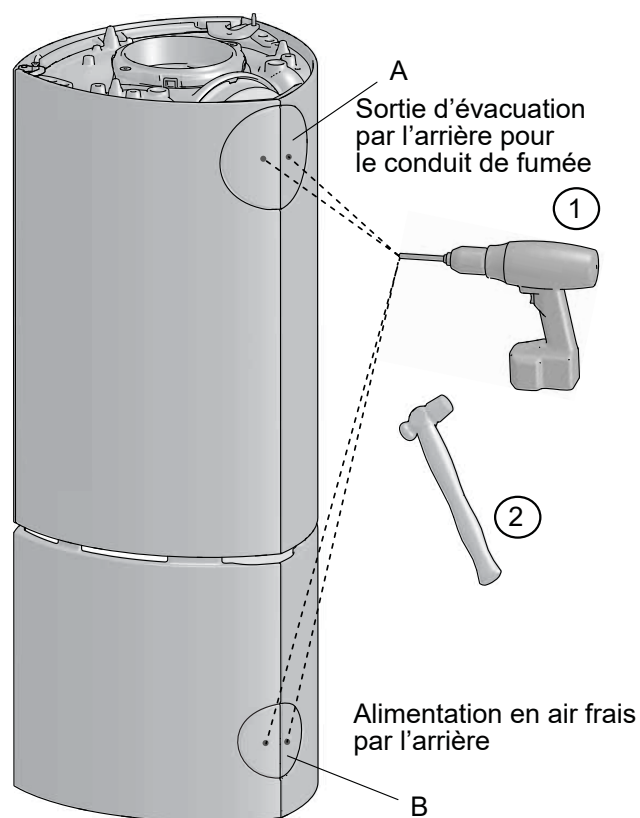
1. Avant d'installer la base sur le poêle, retirez l'étagère (A) et la plaque arrière (B) à l'intérieur de la base.

Fig. 6b



2. Fixez la base au poêle à l'aide des vis fournies (Fig. 5 A).

Fig. 7



Sortie d'évacuation par l'arrière pour le conduit de fumée

3. Percez les trous dans le cache amovible (A) prévu pour la sortie de fumée. Ôtez ensuite le cache avec un marteau.

Alimentation en air frais par l'arrière (en option)

4. Si un raccordement d'admission d'air frais est monté à la (B) de la base, commencez par percer les trous dans le cache amovible, puis ôtez le cache à l'aide d'un marteau. REMARQUE : si vous utilisez une alimentation en air frais par le sol au niveau de la base, ne retirez pas le cache.

Jøtul F 361 HT Advance – produit avec base et rehausse



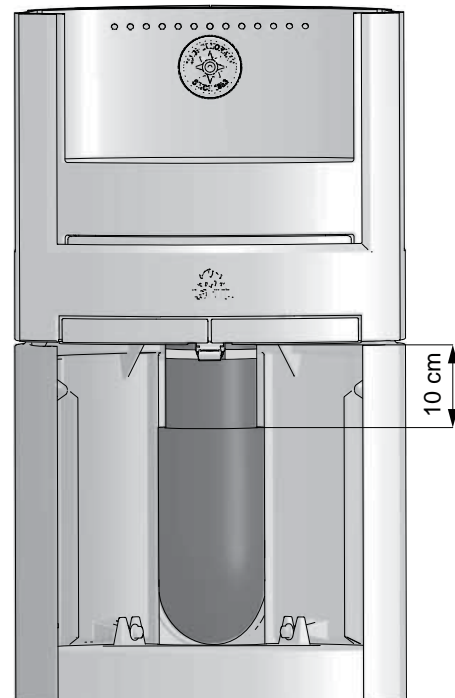
Voir le manuel d'installation
art. no. 10050932

4.3 Montage avec unité d'alimentation en air frais (en option)

Jøtul F 361 - Entrée par l'arrière

Si une unité d'alimentation en air frais doit être montée, reportez-vous aux instructions de montage fournies avec le kit d'alimentation en air frais

Fig. 8



Jøtul F 368 Advance – produit avec base et porte en fonte

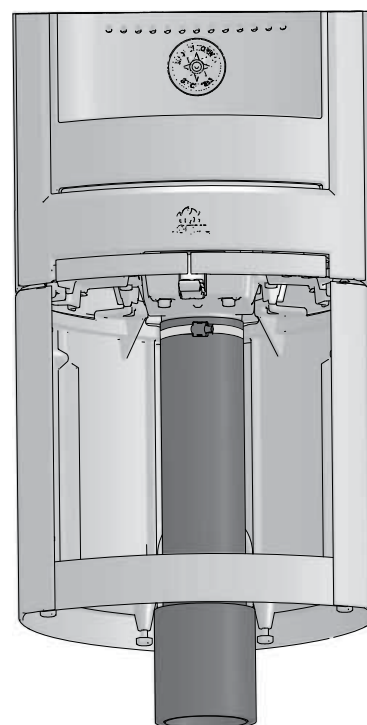


Voir le manuel d'installation
art. no. 10050932

Voir le manuel d'installation
art. nr. 10051081

Jøtul F 361 - Raccordement d'admission d'air frais par le sol

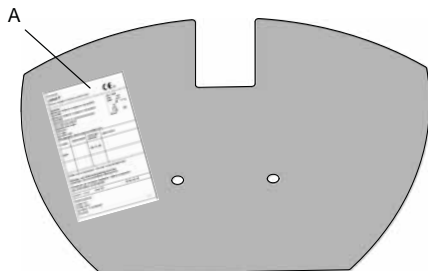
Fig. 9



FRANCAIS

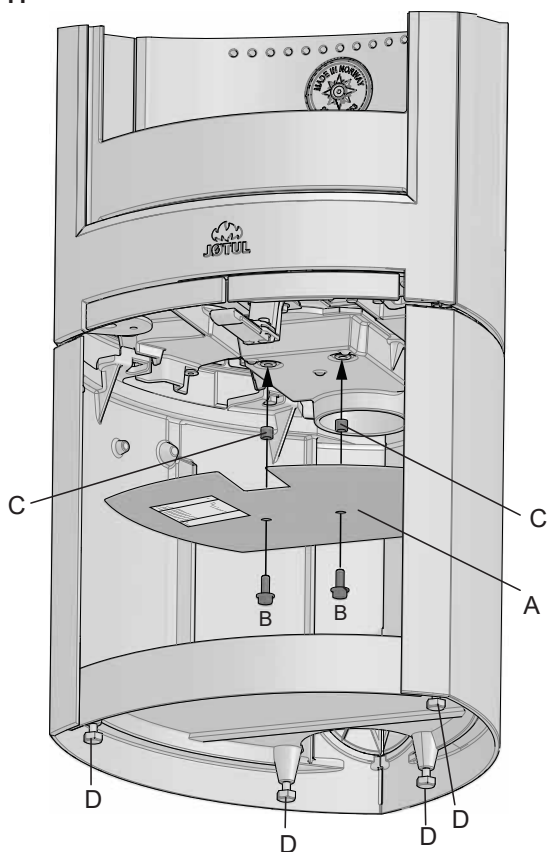
4.4 Emplacement de la plaque signalétique

Fig. 10



1. Fixez la plaque signalétique située à l'intérieur du bac à cendres, en dessous du bouclier thermique du poêle (cette plaque garantit l'homologation du produit).

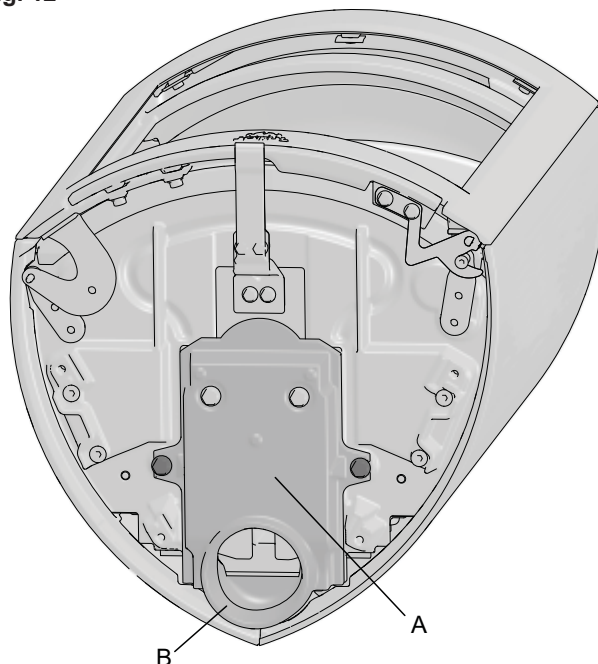
Fig. 11



1. Fixez la plaque arrière (A) à la base.
2. Fixer le bouclier thermique (A) fourni à la chambre de combustion en utilisant les vis (B) et les entretoises (C) qui se trouvent dans le sac de visserie.
3. Ajustez la hauteur du produit à l'aide des quatre vis de réglage (D). **REMARQUE** : si vous utilisez une plaque de sol en verre (en option), surélevez la base d'environ 8 mm par rapport au sol, de manière à pouvoir insérer la plaque de sol sous le bord avant de la base.
4. Si une unité d'alimentation en air frais doit être utilisée, introduisez le conduit flexible dans le trou de la plaque inférieure et fixez-le à la sortie de fumée à l'aide d'un collier de serrage. Assurez-vous que le tuyau est suffisamment long pour éviter l'utilisation de raccords.

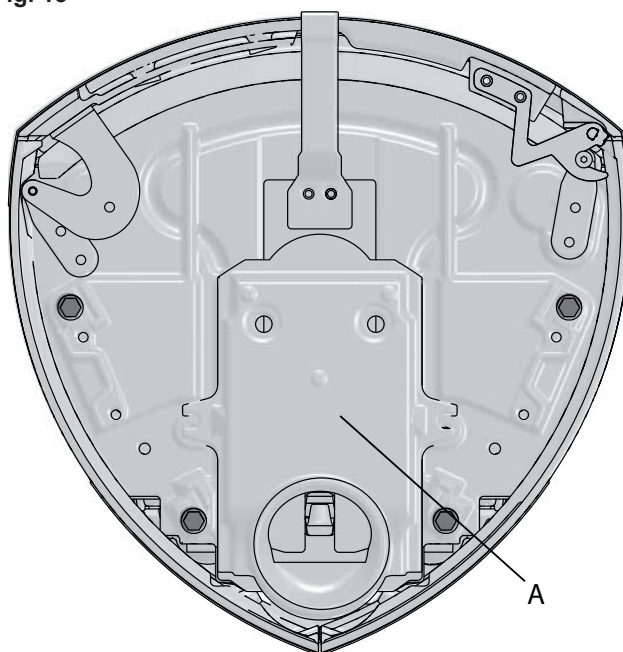
Jøtul F 363 Advance avec piédestal

Fig. 12

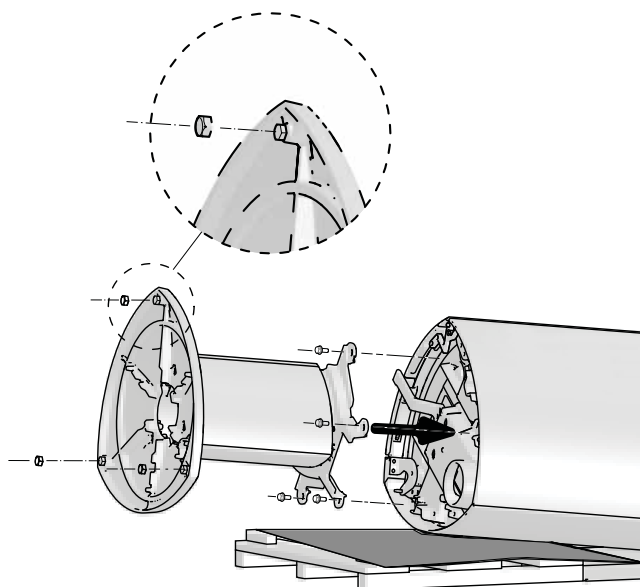


- Le couvercle d'air extérieur (A) avec l'ouverture (B) se situe de série à l'arrière du poêle. Le branchement de l'air extérieur (B) se situe par défaut à l'arrière. Le capot (A) peut être inversé pour un branchement au milieu.

Fig. 13



- REMARQUE** : si vous utilisez une unité d'alimentation en air frais via le sol, commencez par pivoter l'admission en air extérieur (Fig. 15.A).

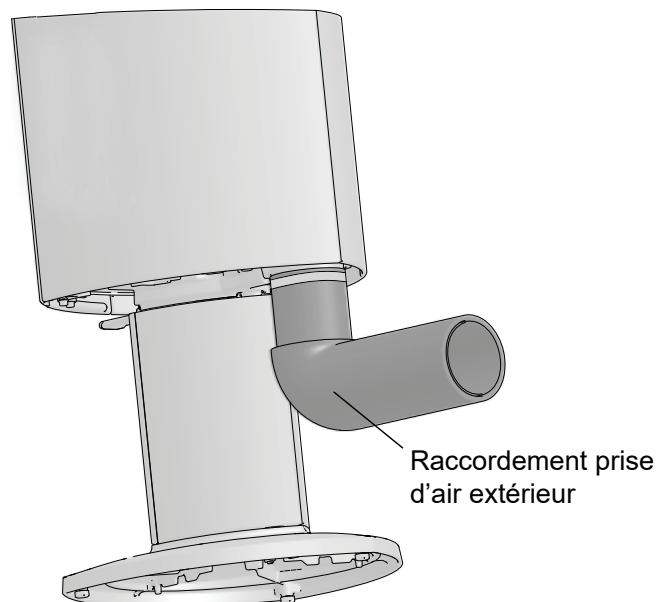


- Utilisez les vis fournies dans le sachet pour fixer le piédestal au poêle, pour l'avant. Pour l'arrière prenez deux vis conservées au déballage (fig. 5A).
- Redressez le poêle.

4.5 Montage avec unité d'alimentation en air frais (en option)

Jøtul F 363 - Entre par l'arrière

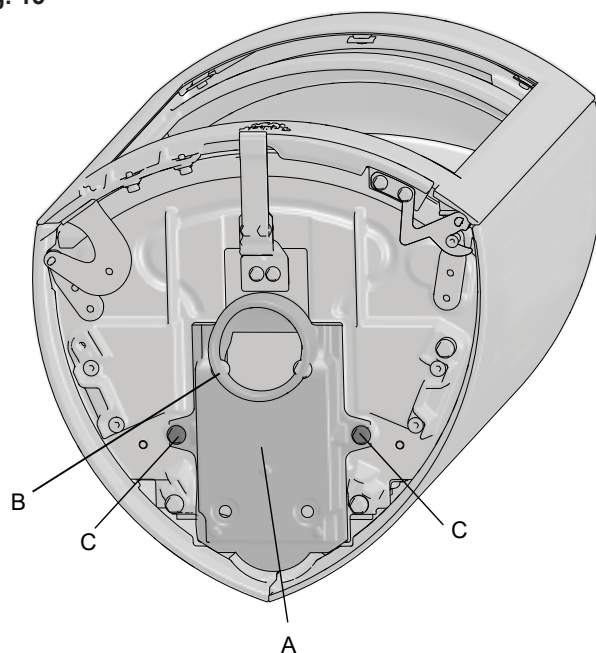
Fig. 14



Jøtul F 363 - Raccordement d'admission d'air frais par le sol

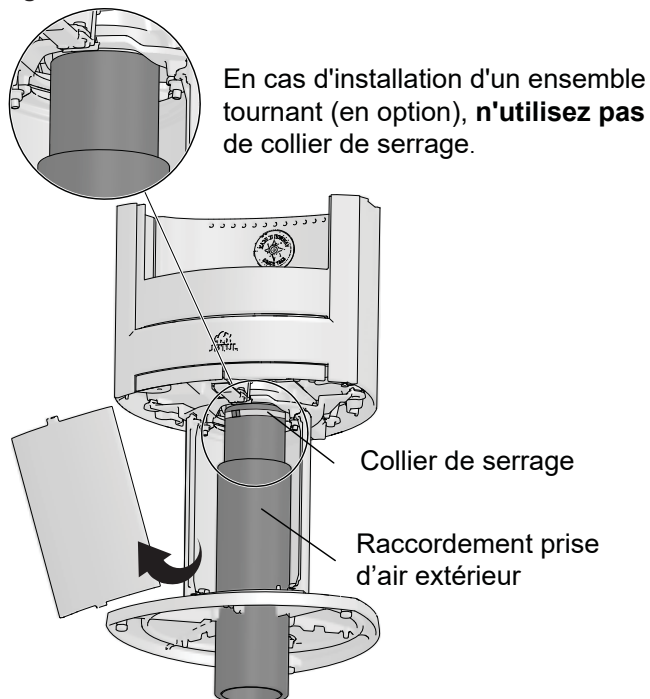
Si le poêle Jøtul F 363 Advance doit être installé avec une unité d'alimentation en air frais par le sol, commencez par pivoter l'admission en air extérieur (A).

Fig. 15



1. Dévissez les vis (C). Pivotez l'admission en air extérieur de sorte que l'ouverture soit positionnée au milieu.

Fig. 16

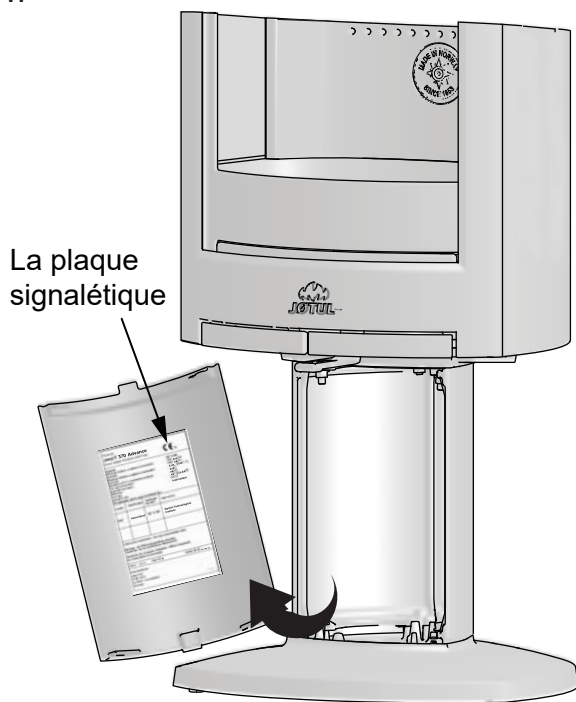


2. Le kit d'admission en air extérieur est fixé à l'admission en air extérieur en dessous du poêle. **REMARQUE** : si le système rotatif est prévu, la plaque en acier doit être fixée avant de redresser le poêle à la verticale. Reportez-vous aux instructions de montage incluses dans l'ensemble tournant.

FRANCAIS

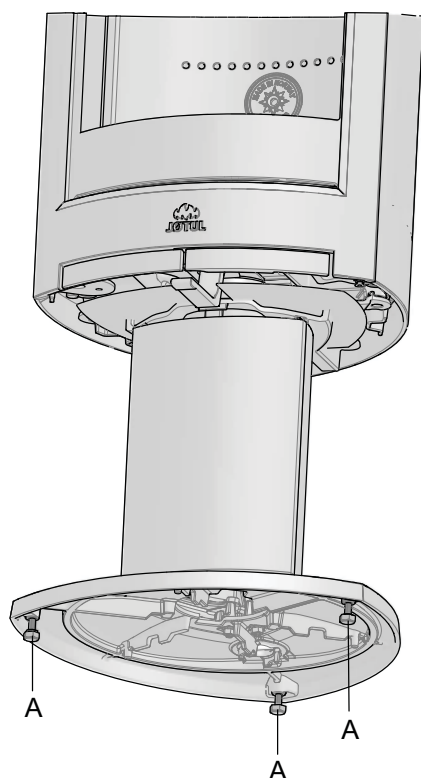
4.6 Emplacement de la plaque signalétique

Fig. 17



1. Retirez le cache avant du piédestal.
2. Fixez la plaque signalétique, fournie dans le bac à cendres, à l'intérieur du cache avant (cette plaque garantit l'homologation du produit).

Fig. 18



Ajustez la hauteur du produit à l'aide des trois vis de réglage (A). **REMARQUE** : si vous utilisez une plaque de sol en verre (réf. 50012994), le poêle doit être surélevé d'environ 8 à 10 mm du sol à l'aide des trois vis de réglage.

4.7 Cheminées et conduits

- Le poêle peut être branché à une cheminée et à un conduit approuvés pour les poêles à combustible solide, avec les températures de fumées spécifiées dans la section «**2.0 Données techniques**».
- La section minimale de la cheminée doit correspondre à celle du conduit. Pour calculer la section adéquate de la cheminée, voir la section «**2.0 Données techniques**».
- Plusieurs poêles à combustible solide peuvent être raccordés à la même cheminée si la section de la cheminée et la réglementation le permettent.
- La distance avec les matériaux inflammables spécifiée s'applique à ce poêle.
- La distance minimum entre les tuyaux et les matériaux combustibles doit aussi être respectée.
- Le raccordement à la cheminée doit être réalisé conformément aux **D.T.U. 24.1** ; ainsi qu'aux instructions d'installation du fournisseur de la cheminée.
- Procéder à un montage d'essai du poêle avant de percer un trou dans la cheminée. Voir **fig. 1** pour les cotes.
- Raccordement arrière : veiller à ce que le conduit de raccordement soit incliné vers le haut.
- Utiliser un coude de conduit doté d'une trappe ou un té ou siphon afin de permettre les opérations de ramonage suivant règlement.
- Veiller à ce que les raccordements soient souples afin d'empêcher toute fissure lors de l'installation.
- Tirage recommandé; Voir également les sections «**2.0 Données techniques**». En cas de tirage trop important, utiliser un clapet ou un modérateur de tirage.

Quelle est l'influence du vent et de la météo sur l'appareil de chauffage ?

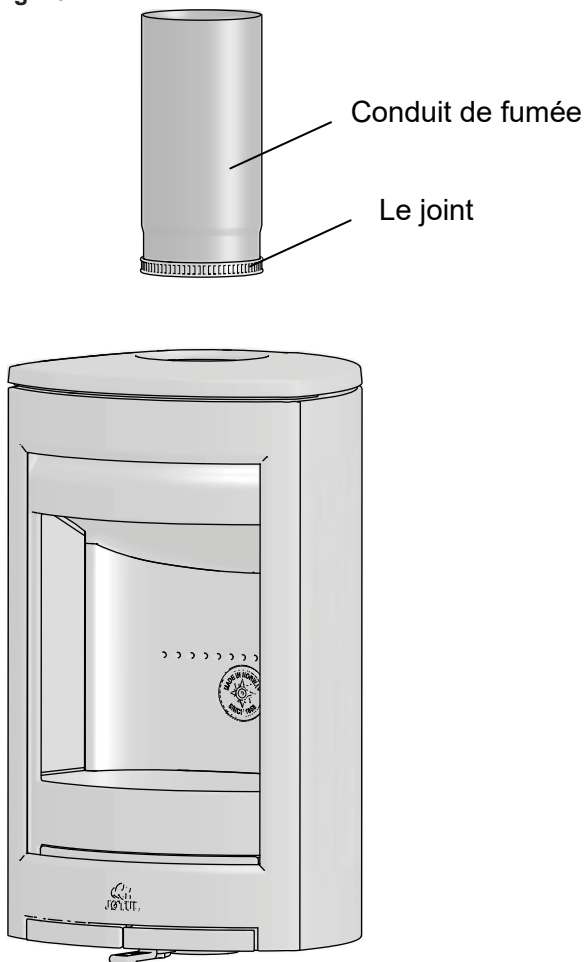
La force du vent sur la cheminée peut considérablement affecter les performances de l'appareil de chauffage. Il peut par conséquent être nécessaire d'ajuster l'alimentation en air pour garantir de bonnes performances de combustion. Il peut également être judicieux d'installer un clapet ou un modérateur de tirage dans le conduit de fumée pour adapter le tirage de la cheminée en fonction de la force du vent.

Le brouillard et la brume peuvent également avoir un impact important sur le tirage de la cheminée, et il peut être nécessaire d'utiliser d'autres paramètres d'air de combustion pour garantir de bonnes performances.

Montage d'un conduit de fumée avec sortie par le haut

Le produit est installé en usine pour une sortie par le haut.

Fig. 19



1. Fixez le joint à l'extrémité inférieure du conduit de fumée.
2. Insérez le conduit de fumée dans la plaque supérieure

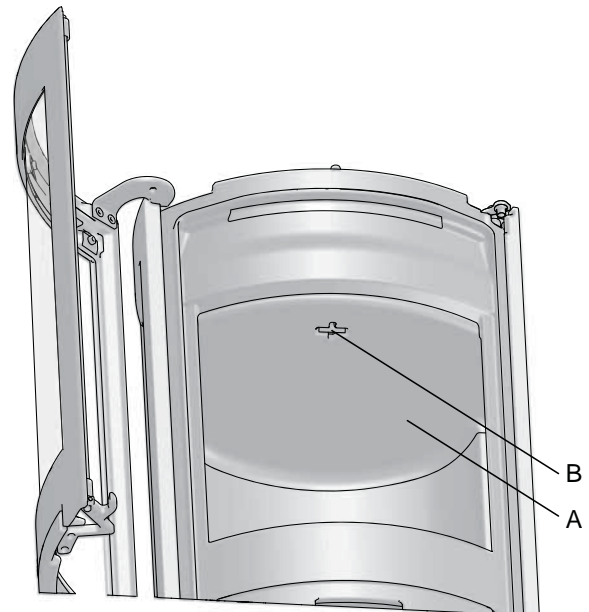
Montage d'un conduit de fumée avec sortie par l'arrière

Le produit est installé en usine pour une sortie par le haut. Si vous souhaitez une évacuation par l'arrière, procédez comme suit :

- Positionnez le produit correctement (voir Fig. 1).

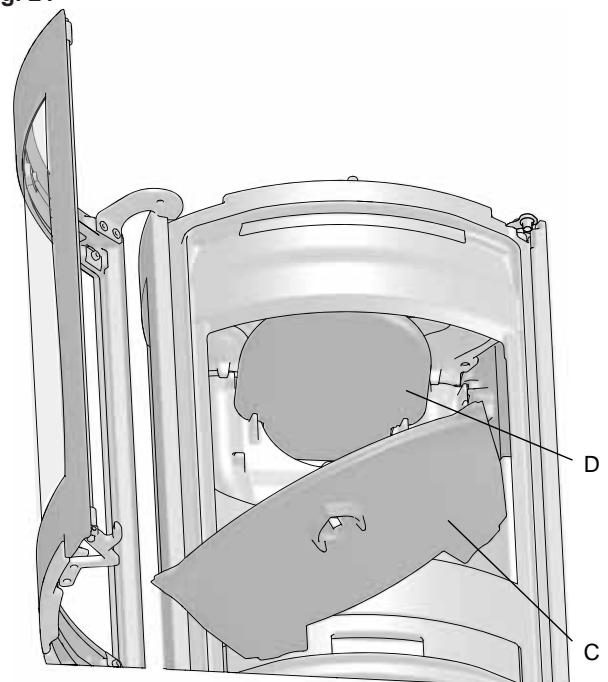
Pour installer une sortie par l'arrière, commencez par retirer le déflecteur inférieur et déflecteurs d'évacuation situés à l'intérieur du poêle.

Fig. 20



1. Soulevez le déflecteur inférieur, tournez la clé (B) à 90° dans le déflecteur inférieur (A), puis retirez la clé.
2. Soulevez le bord arrière de le déflecteur inférieur (A), puis dégagez-la.

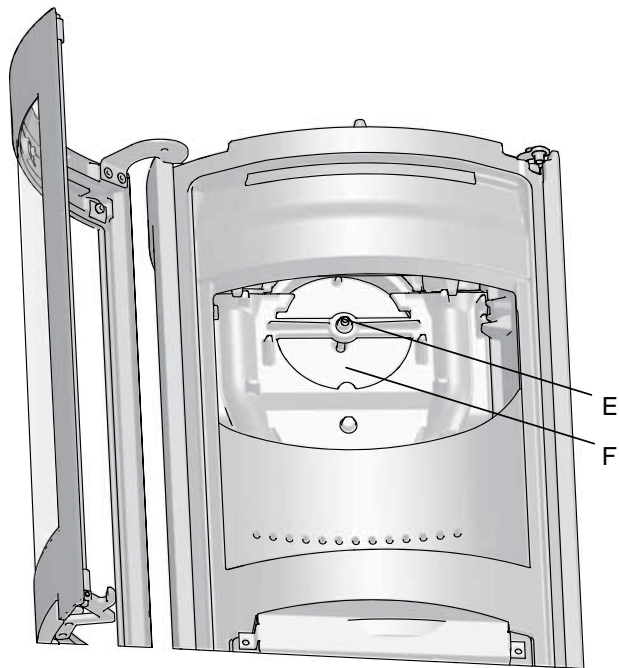
Fig. 21



3. Soulevez le bord arrière du déflecteur d'évacuation inférieur (A), puis dégagez-le.
4. Retirez ensuite le déflecteur d'évacuation supérieur (D).

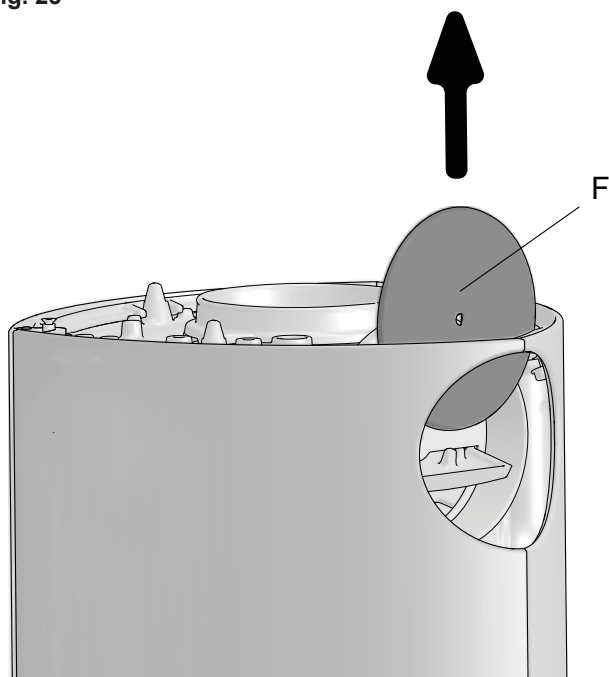
FRANCAIS

Fig. 22



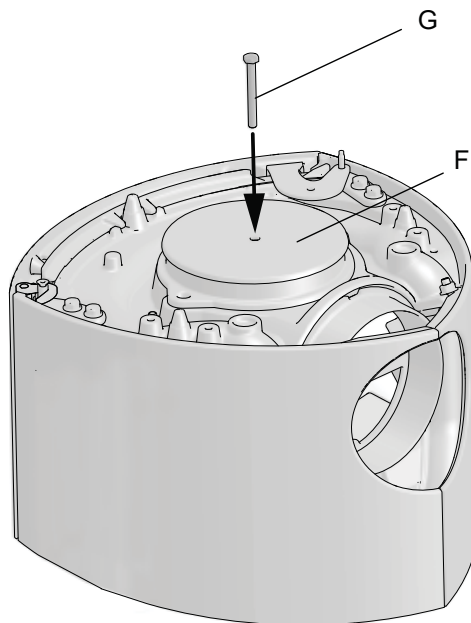
5. Dévissez la vis (E) qui maintient le cache (F) en place.

Fig. 23



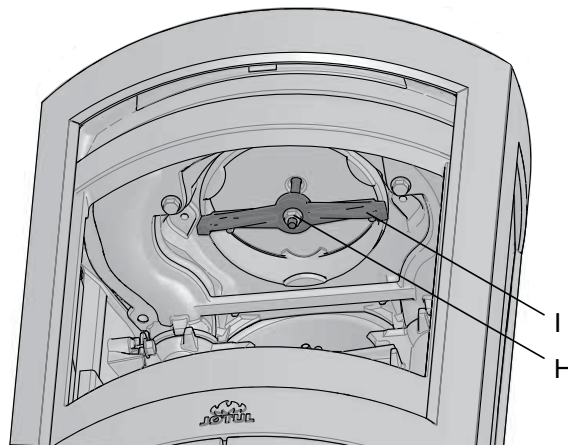
6. Soulevez le cache (F).

Fig. 24



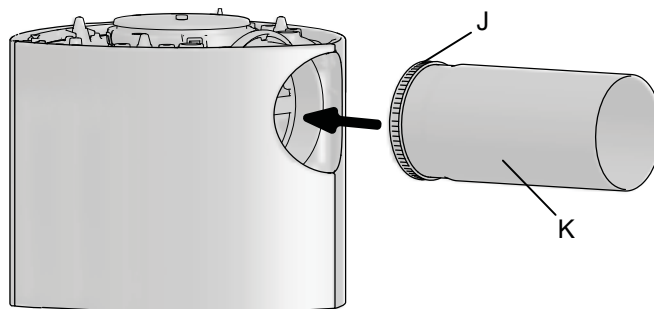
7. Positionnez le cache de la sortie arrière au niveau de la sortie supérieure, puis fixez-le.

Fig. 25



8. Fixez la traverse (I) du bac à cendres à la vis (G) à l'aide de l'écrou (H).

Fig. 26



9. Placez le joint d'étanchéité (J) sur le bord du conduit de fumée (K).

10. Insérez le conduit de fumée dans la sortie de fumée.

11. Repositionnez la plaque supérieure et le couvercle.

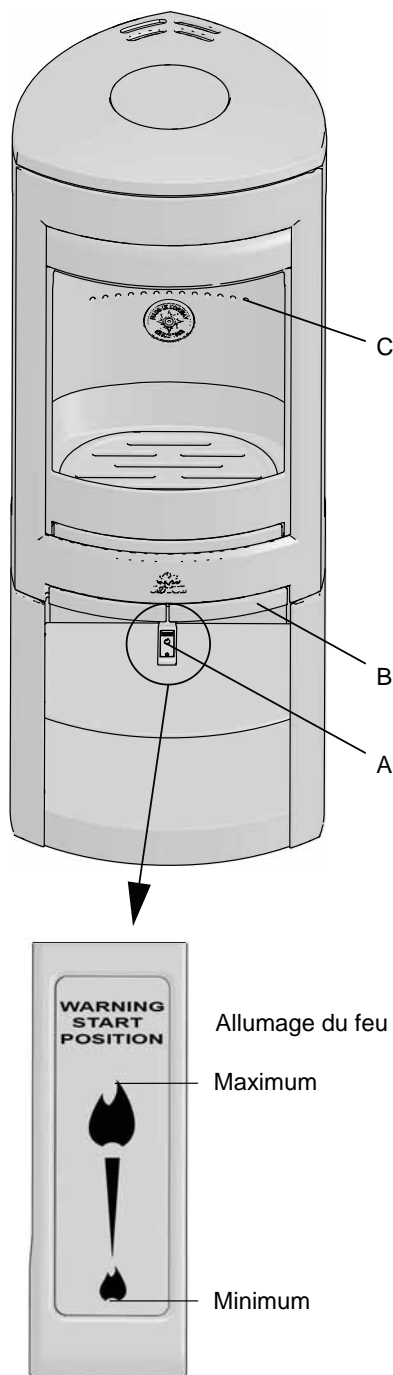
REMARQUE : il est important que les joints/conduits de fumée soient parfaitement étanches. Les fuites d'air peuvent nuire au bon fonctionnement de l'appareil.

4.8 Test de fonctionnement

Une fois le poêle installé, vérifiez toujours les poignées de commande. Les éléments mobiles doivent fonctionner librement.

Le poêle Jøtul F 360 Advance est équipé des commandes suivantes :

Fig. 27



Registre d'air d'allumage (A) et de combustion

Poussé : Fermé

Complètement tiré : Ouvert

Poignée de porte (B) :

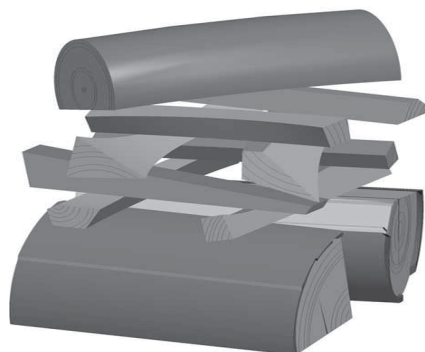
Ouvrir en tirant sur la poignée.

Hauteur d'empilement (C) pour les bûches (les trous ne doivent pas être recouverts).

4.9 Allumage

- Ouvrir l'entrée d'air supérieure et l'entrée d'air inférieure en les tirant complètement. Conseil pratique : Favorisez l'allumage du feu en laissant la porte entrouverte (A). (Utiliser des gants car la poignée risque d'être chaude).
- Placer deux bûches de taille moyenne à l'entrée et au fond de la plaque de source. **N.B.** : pour éviter que de la suie ne se dépose sur le verre, veillez à ce que les bûches ne touchent pas le verre lorsqu'elles sont placées dans l'appareil (fig. 28).
- Froissez quelques feuilles de papier journal, jamais de papier glacé (ou utilisez de l'écorce de bouleau) entre ces deux bûches, entrecroisez du bois d'allumage sur ce papier, puis mettez-y le feu.
- Augmentez graduellement la taille du feu sans que le bois ne s'empile au-delà des orifices horizontaux de la plaque de doublage arrière. Voir fig. 27C. **Remarque : La hauteur maximale de la pile de bois ne doit pas dépasser la ligne de trous horizontale. Ne pas recouvrir les trous.**
- Fermer l'entrée d'air inférieure une fois que le feu a pris. **ATTENTION !** Ne pas fonctionner avec l'entrée d'air inférieure ouverte, cela risque d'endommager la sole foyer.
- Veiller à ce que la postcombustion s'amorce (présence de flammes jaunes et oscillantes sous le déflecteur).
- Régler ensuite la vitesse de combustion sur la capacité de chauffage souhaitée en ajustant l'entrée d'air supérieure (fig. 27 A).
- Fermez la porte. La porte doit toujours être fermée lorsque le feu est allumé.

Fig. 28



Ajouter du bois

Alimentez le poêle régulièrement mais n'ajoutez que de petites quantités de combustible à la fois. Si la combustion est trop vive, la contrainte thermique dans la cheminée risque de devenir excessive. Faites preuve de modération. Évitez les feux couvants car ils sont les plus polluants. Le feu est parfait lorsque le bois brûle bien et que la fumée qui sort de la cheminée est pratiquement invisible. La position idéale est l'entrée d'air de combustion ouverte à moitié.

FRANCAIS

Risque de surchauffe

Ne surchauffez jamais le poêle

La surchauffe est provoquée par un excès de combustible et/ou d'air qui donne lieu à un dégagement de chaleur trop important. Lorsque le poêle devient incandescent par endroits, c'est un signe incontestable de surchauffe. Si le cas se produit, réduisez immédiatement l'apport d'air frais. En cas de surchauffe, la garantie ne pourrait pas être assurée.

Si vous pensez que la cheminée tire mal (tirage excessif ou insuffisant), contactez un spécialiste. Pour plus de détails, reportez-vous à «**4.0 Installation** » (**Cheminée et conduit d'évacuation**).

Condensation

Il est possible de constater l'apparition de condensation dans la chambre de combustion et ou le conduit des fumées. Cela peut se produire suite à la combustion d'un bois humide ou bien à une différence de température importante entre le foyer/conduit et leur environnement.

Un écoulement de condensation prend la forme d'un liquide noir. Cet écoulement doit être nettoyé sans attendre pour éviter toute coloration du foyer, du sol, des murs ou des meubles sur lesquels le liquide aurait pu couler. Il est important d'avoir une bonne combustion (feu vif) pour éviter toute condensation (La combustion dégradée créée par la fermeture des arrivées d'air lorsque la combustion n'est pas terminée est à proscrire).

Retrait des cendres

Le poêle Jøtul F 360 Advance est équipé d'un cendrier qui facilite l'élimination des cendres.

- Enlevez les cendres uniquement lorsque le poêle est froid.
- Nous vous recommandons de toujours laisser deux à trois centimètres de cendres au fond de votre appareil.
- La cendre va protéger le fond, conserver les braises et favoriser le redémarrage du feu au rechargement en bois après quelques heures de feu ralenti.

5.0 Utilisation au quotidien

Odeurs perceptibles lors de la première utilisation du poêle

Lors de la première utilisation, le poêle peut émettre un gaz irritant et dégager des odeurs désagréables. Ceci se produit lorsque la peinture sèche. Ce gaz n'est pas toxique, mais il est recommandé de bien aérer la pièce. Maintenir une température élevée dans le poêle jusqu'à qu'aucun gaz, fumée ou odeur ne puisse être détecté.

Laisser la porte ouverte pendant les premières minutes pour faire sécher la peinture et éviter le décolllement du joint de porte.

Utilisation

Conseils de chauffage

Remarque : Il est recommandé d'entrer les bûches qui ont été stockées à l'extérieur ou dans une pièce froide 24 heures avant de les brûler afin de les amener à température ambiante.

Il existe différentes manières de chauffer le poêle, mais soyez toujours attentif à ce que vous y mettez. Voir le chapitre intitulé « La qualité du bois ».

La qualité du bois

Par bois de qualité, nous entendons les essences les plus courantes telles que bouleau, épicéa et pin ou hêtre, chêne, érable. Suivant les pays.

Les bûches doivent sécher afin que leur teneur en eau ne dépasse pas 20 %.

Pour cela, il convient de couper le bois à la fin de l'hiver. Fendez-les et empilez-les pour permettre à l'air de bien circuler. Recouvrez les piles afin de protéger les bûches de la pluie. Entrez les bûches dans la maison au début de l'automne en vue de leur utilisation pendant l'hiver qui suit.

Soyez particulièrement attentif à ne jamais brûler les matériaux suivants dans le poêle :

- Les déchets ménagers, les sacs en plastique, etc.
- Le bois peint ou imprégné (très toxique).
- Le bois contreplaqué
- Le bois qui est resté dans l'eau
- Les chutes de menuiserie dont le bois est trop sec.
- Le bois de récupération de chantier

Ceux-ci risquent d'endommager l'appareil et ce sont aussi des polluants.

Si vous utilisez des bûches de bois compressé, réduisez la quantité de moitié par rapport au bois en bûches.

Remarque : N'employez jamais de l'essence, de la paraffine, de l'alcool (méthyllique) ou tout liquide similaire pour allumer le feu. Vous risqueriez de vous blesser sérieusement et d'endommager l'appareil.

Le bois

Le poêle Jøtul F 360 Advance Series délivre une puissance thermique nominale de 6 kW. Utilisation de bois avec puissance thermique nominale: env. 2,1 kg/h. L'efficacité de la combustion du bois dépend également d'un autre facteur tout aussi important, la dimension des bûches :

Pour le bois d'allumage :

Longueur : 27-30 cm

Diamètre : 2-5 cm

Quantité par flambée : 6-8 bûches

Pour le bois de chauffage (fendu) :

Longueur : ca 27 - 30 cm

Diamètre : env. 8 cm

Fréquence d'approvisionnement en bois : env. 45 min.

Taille du feu : 1,6 kg

Nombre de bûches à chaque réapprovisionnement : 2

La puissance de chauffage nominale s'obtient lorsque le registre d'air est ouvert à environ 22 % (**Fig. 27 A**) donc sortis de 12,5 mm environ.

5.1 Utilisation sous différentes conditions météorologiques

L'effet du vent sur la cheminée peut, selon sa violence, influencer beaucoup sur le fonctionnement du poêle et nécessiter une régulation de l'arrivée d'air pour obtenir une bonne combustion. Il peut également être judicieux de monter un clapet sur le tuyau de manière à pouvoir réguler ainsi le tirage de la cheminée en fonction des sollicitations changeantes du vent.

Le brouillard peut aussi avoir une grande influence sur le tirage de la cheminée nécessitant d'autres réglages de l'arrivée d'air frais pour assurer une bonne combustion.

5.2 Cheminée

Le conduit de cheminée est un élément essentiel au bon fonctionnement d'un chauffage à bois.

Le tirage de la cheminée génère une dépression dans le poêle. Cette dépression évacue la fumée hors du poêle et, à travers le registre d'air de combustion, aspire de l'air qui alimente le processus de combustion.

L'air de combustion vient aussi balayer la vitre et y empêche ainsi le dépôt de suie.

Le tirage de la cheminée est généré par la différence de température entre l'intérieur de la cheminée et l'extérieur de la maison. Plus cette différence de température est élevée, meilleur est le tirage de la cheminée. Il est donc important que la cheminée atteigne sa température de service rapidement avant que soient réduites l'entrée d'air et la combustion dans le poêle (une cheminée en maçonnerie met plus de temps pour atteindre sa température de service qu'une cheminée en acier isolé).

Les jours où les conditions météorologiques et le vent sont défavorables, il est donc particulièrement important que la température de service de la cheminée soit atteinte le plus vite possible. Les flammes doivent vite être attisées. Conseil pratique : Fendez des bûchettes de bois particulièrement fines ; utilisez des blocs d'allumage supplémentaires etc.

Remarque : Après un arrêt prolongé de l'utilisation du poêle, il importe de vérifier que le conduit de cheminée n'est pas plus ou moins bouché.

6.0 Entretien

6.1 Nettoyage de la vitre

Le produit est équipé d'un système d'entrée d'air par le haut. L'air est aspiré au-dessus du foyer et circule le long de la vitre.

L'accumulation de suie sur la vitre est toutefois inévitable, la quantité de dépôts dépendant du taux d'humidité du combustible, des conditions de tirage et du réglage de l'entrée d'air supérieure. Une grande partie de cette suie est normalement consommée lorsque l'entrée d'air est ouverte à son maximum et en présence d'un feu vif dans le poêle.

Un bon conseil ! Pour les opérations courantes de nettoyage, humidifier un essuie-tout ou du papier journal ou une simple éponge à l'eau chaude. Frotter la vitre avec ce moyen puis rincer à l'eau claire et essuyer. Pour les tâches persistantes, il est recommandé d'utiliser un nettoyant à vitres. Ne jamais projeter le produit directement sur la vitre : il risque de détériorer les fixations de la vitre et le joint, ce qui peut entraîner la cassure de la vitre.

6.2 Nettoyage et élimination des dépôts de suie

Pendant l'utilisation, de la suie peut se déposer sur les surfaces internes du foyer. La suie est un bon isolant. Elle réduit donc la puissance thermique du foyer. Utiliser une brosse métallique pour retirer tout dépôt de suie dans le produit, sauf sur les plaques en vermiculite !

Laisser brûler vivement afin d'éviter tout dépôt de goudron et d'eau dans le poêle.

Un nettoyage annuel de l'intérieur du foyer est requis pour optimiser le rendement du produit. Cette opération peut être réalisée lors du ramonage des conduits et de la cheminée.

6.3 Ramonage des conduits d'évacuation vers la cheminée

Sur certains foyers autonomes, il est possible de soulever le couvercle et de ramoner le conduit par le haut.

Sinon, le ramonage des conduits doit s'effectuer à partir de la trappe de ramonage ou depuis l'intérieur du produit, auquel le déflecteur doit être retiré. . Renseignez-vous auprès de votre distributeur Jøtul sur la réglementation à ce sujet.

6.4 Contrôle du poêle

Jøtul recommande que l'utilisateur contrôle personnellement et soigneusement le foyer suite à une opération de ramonage/nettoyage. Vérifier l'absence de fissures sur toutes les surfaces visibles. Vérifier également l'état et la bonne installation de tous les joints. Tout joint montrant des signes d'usure, de déformation ou de dureté doit être remplacé.

Nettoyer soigneusement les gorges de joint, appliquer de la colle céramique (disponible auprès des distributeurs Jøtul), puis insérer correctement le joint sans tirer dessus. Le séchage est rapide.

FRANCAIS

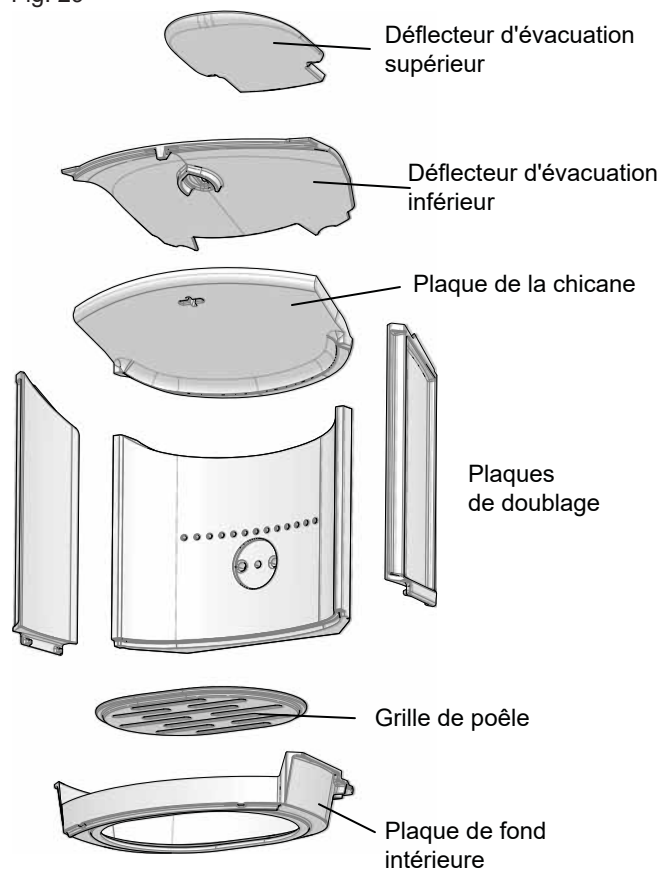
6.5 Entretien de la surface externe

La couleur des produits peints peut se ternir après plusieurs années d'utilisation. Avant d'appliquer une nouvelle couche de peinture, brossez et lavez la surface peinte pour en éliminer toutes les particules.

7.0 Maintenance

Toute modification non autorisée du produit est interdite. Utilisez uniquement des pièces de rechange d'origine.

Fig. 29

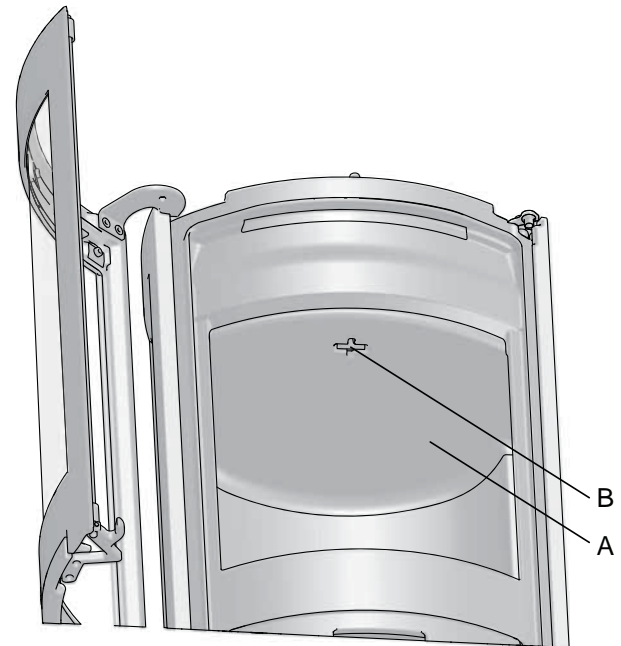


7.1 Remplacement des pièces du poêle

Utilisez les outils avec précaution. La plage de doublage en vermiculite doit être manipulée avec précaution pour éviter tout dommage.

Remplacement du déflecteur

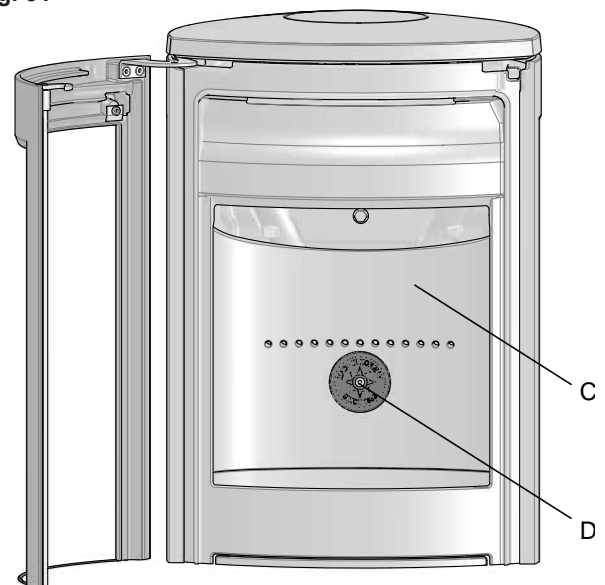
Fig. 30



1. Soulevez la plaque de déflecteur inférieur (A), tournez la clé (B) à 90 ° dans la plaque de déflecteur inférieur (A), puis retirez la clé. Soulevez le bord arrière de la plaque de déflecteur inférieur, puis dégagez-le.

Remplacement de la plaque de doublage

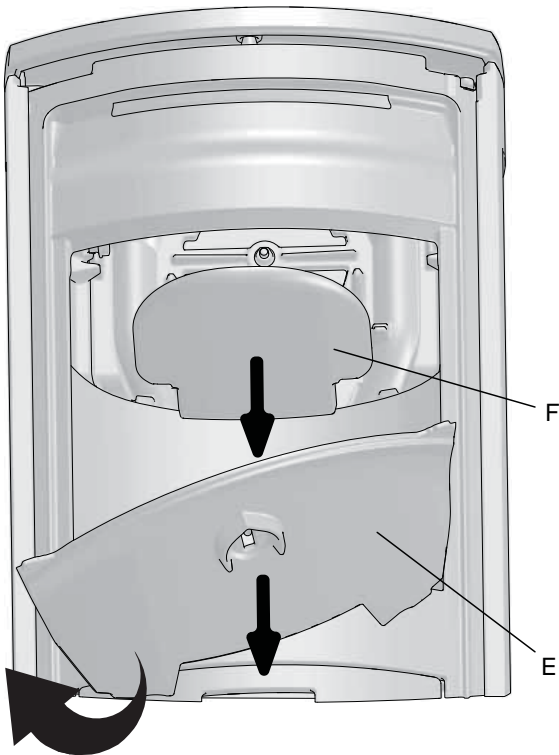
Fig. 31



2. Retirez la plaque de doublage (C) en dévissant la vis (D) située au centre de la plaque de fixation. Soulevez-la et dégagez-la.

Remplacement des déflecteurs d'évacuation

Fig. 32



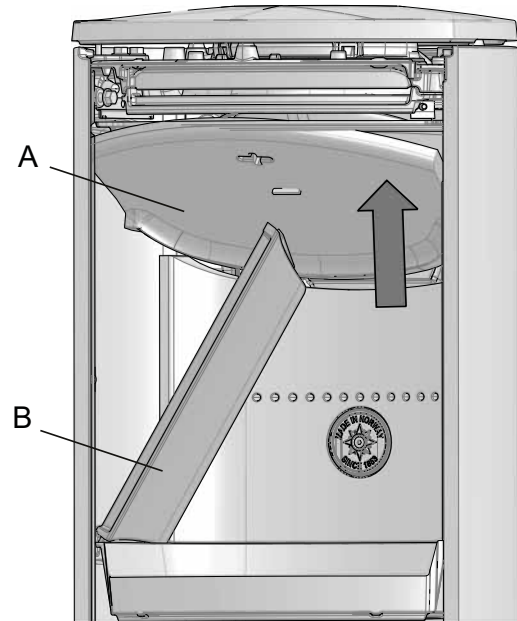
3. Les déflecteurs supérieur et haut se situent au-dessus du déflecteur inférieur. Retirez le déflecteur supérieur (E) en soulevant son bord arrière, puis dégagez-le.
4. Délogez le déflecteur haut (F) de ses rainures et retirez-le du poêle.

Lors de la remise en place, suivez la même procédure dans l'ordre inverse.

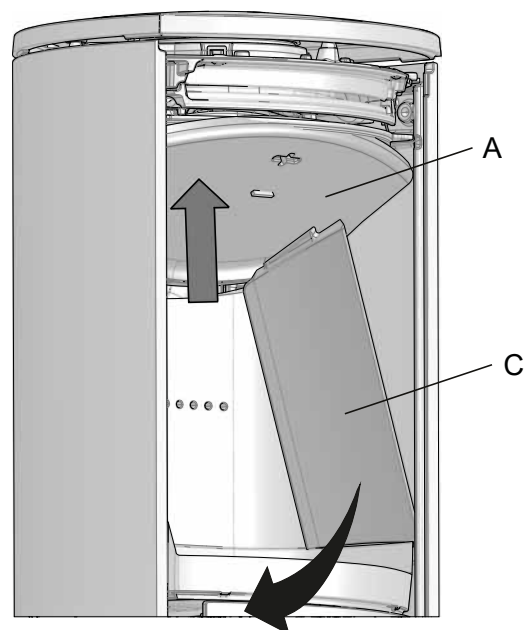
7.2 Remplacement de la plaque de doublage / de la sole poêle et de la grille de poêle

(si vous utilisez des outils, il est important de manipuler le panneau en vermiculite avec précaution pour éviter tout dommage).

Fig. 33



1. Soulevez légèrement le déflecteur (A) et retirez la plaque de doublage (B) de la chambre de combustion. Remarque! Le déflecteur maintient les plaques de doublage latérales en position. Assurez-vous que les plaques de doublage ne tombent pas lorsque le déflecteur est soulevé.



2. Retirez la plaque de doublage latérale (C) de l'autre côté de la chambre de combustion.

FRANCAIS

Fig. 34



1. Soulevez déflecteur inférieur et tournez la clé (Fig. 30 B) à 90° dans déflecteur inférieur (Fig. 30 A), puis retirez la clé. Soulevez le bord arrière déflecteur inférieur (G), puis dégagez-le.
2. Retirez la plaque de doublage (Fig. 31 C) en dévissant la vis (Fig. 31 D) située au centre de la plaque de fixation. Soulevez la plaque de doublage et dégagez-la.
3. Retirez la grille de poêle (G).

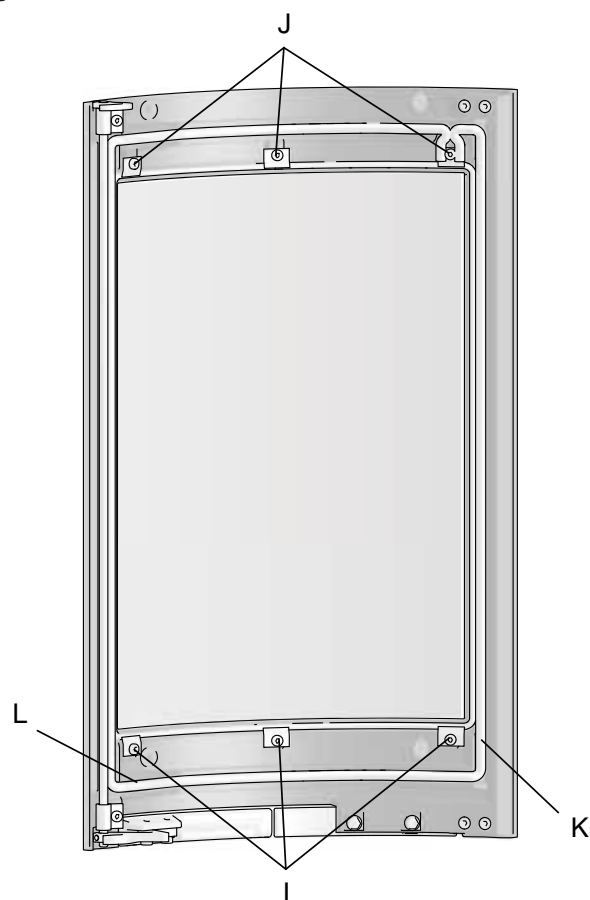
Fig. 35



4. Soulevez la sole poêle (H), puis dégagez-la. Lors de la remise en place, suivez la même procédure dans l'ordre inverse.

7.3 Remplacement de la vitre et des joints

Fig. 35



1. Pour remplacer vitre, commencez par dévisser les trois vis du bas (I). Dévissez ensuite les trois vis du haut (J). Retirez la vitre. **ATTENTION !** Le joint de vitre doit toujours être neuf pour une vitre neuve.
2. Retirez les joints endommagés de vitre (L) et/ou de porte (K). Nettoyez la rainure du joint, appliquez une nouvelle colle, en petite quantité pour éviter les débordements puis positionnez les nouveaux joints.

8.0 Dysfonctionnements – Causes et dépannages

Tirage faible

Vérifier que la longueur de la cheminée est conforme aux législations et aux réglementations nationales en vigueur. (Voir aussi «**2.0 Données techniques**» et «**4.0 Installation**» (**Cheminées et conduits**) dans le manuel d'installation à ce sujet.)

Vérifier que la section minimale de la cheminée est conforme aux spécifications de la section «**2.0 Données techniques**» du manuel d'installation.

Vérifier que rien n'empêche l'évacuation des fumées : branches, arbres, etc.

Pour remédier à tout tirage semblant faible ou excessif, demander à un professionnel de vérifier et éventuellement de redimensionner la cheminée.

Le feu s'étouffe rapidement

- Vérifier que le bois de chauffage est suffisamment sec.
- Vérifier l'absence d'aspiration dans la pièce. Arrêter toute ventilation mécanique et ouvrir une fenêtre à proximité du foyer.
- Vérifier que l'entrée d'air est ouverte.
- Vérifier que le conduit n'est pas obstrué.

Important dépôt de suie sur la vitre

L'accumulation de suie sur la vitre est inévitable, mais la quantité de dépôt varie en fonction :

- Du taux d'humidité du combustible.
- Des conditions locales de tirage.
- Du réglage de l'entrée d'air.

Une grande partie de cette suie est normalement consommée lorsque l'entrée d'air est ouverte à son maximum et en présence d'un feu vif dans le poêle pendant une dizaine de minutes.

9.0 Équipements disponibles en option

9.1 Système rotatif

Voir les instructions d'installation séparées.

Set de rotation pour Jøtul F 363 Advance, - Réf. cat 51050989

9.2 Porte en fonte du pied (Jøtul F 361 Advance)

Peintes Noir Mat - Réf. cat. 51050944

9.3 Rehausse (HT)

Réf. cat. 51050934

9.4 Accumulateurs de chaleur

Réf. cat. 10026701

9.5 Kit d'amenée d'air frais Ø 100 mm

Réf. cat. 51012164

9.6 Couvercle en pierre ollaire

Réf. cat. 22052834, BP

10.0 Recyclage

10.1 Recyclage de l'emballage

- Votre poêle est livré avec les emballages suivants :
- Une palette en bois qui peut être sciée et brûlée dans le poêle.
- Des emballages en carton qui doivent être déposés dans une station de recyclage près de chez vous.
- Des sacs en plastique qui doivent être déposés dans une station de recyclage près de chez vous, ou dans poubelle.

10.2 Recyclage du poêle

Le poêle est composé de :

- d'éléments métalliques qui doivent être déposés dans une station de recyclage près de chez vous.
- de verre qui doit être éliminé comme des déchets dangereux. Le verre dans le poêle ne doit pas être placé dans un conteneur de séparation à la source standard.
- de panneaux en vermiculite qui peuvent être déposés dans des conteneurs de déchets classiques.

11.0 Conditions de garantie

Applicables à partir du 1^{er} Septembre 2016 à tout produit Jøtul acheté auprès du réseau de revendeurs agréés Jøtul.

Félicitations pour votre achat d'un appareil Jøtul !
Depuis 1853, Jøtul est un fabricant renommé de poêles, cheminées et inserts durables et d'excellente qualité. La grande qualité de nos produits nous permet d'offrir à nos clients une garantie longue durée, et ce, sans frais supplémentaires.

Notre garantie couvre :

En plus de la garantie légale en vigueur, Jøtul France offre une garantie commerciale étendue à :

- 25 ans à compter de l'achat de l'appareil sur toutes les pièces en fonte des appareils à bûches, si vous enregistrez votre appareil sur le site www.jotul.com/fr dans les 3 mois suivant votre achat. Nous vous conseillons d'imprimer et de conserver votre justificatif d'enregistrement de garantie avec votre preuve d'achat. A défaut d'enregistrement, la garantie commerciale sera de 5 ans à compter de l'achat de l'appareil sur ces mêmes pièces.
- 5 ans sur les pièces en acier des appareils à bûches.
- 5 ans sur le corps de chauffe des appareils à granulés.

La garantie s'applique uniquement si l'appareil a été installé par un revendeur agréé du réseau Jøtul, conformément à la réglementation en vigueur et aux instructions d'installation et d'utilisation décrites dans le manuel de l'appareil.

Les appareils réparés ou les appareils de remplacement, ne donnent en aucun cas droit à une prolongation de garantie. Ils sont donc garantis pour la durée restante de la garantie initiale.

Notre garantie commerciale ne couvre pas :

- Les pièces d'usure, telles que les composants de la chambre de combustion (déflecteurs, joints, plaques de doublage, etc.), car ces pièces s'usent avec le temps lors d'une utilisation normale,
- Les vitres, la peinture, l'émail, les pierres naturelles, les éléments en béton et tous les revêtements décoratifs,
- Les dommages liés à une mauvaise utilisation : combustible inapproprié ou de mauvaise qualité, surchauffe, défaut d'entretien, non respect des instructions d'utilisation décrites dans le manuel de l'appareil, etc,
- Les dommages liés au transport ou à une mauvaise installation de l'appareil,
- Les cas impliquant des modifications de l'appareil sans le consentement de Jøtul ou l'utilisation de pièces qui ne sont pas d'origine,
- Les frais annexes (frais de port, déplacement, main d'œuvre, etc...), ni les dommages indirects.

La demande de garantie doit être effectuée auprès de votre revendeur agréé du réseau Jøtul, dans les 14 jours suivant la survenance du défaut. Voir liste de nos revendeurs sur notre site internet. Elle doit être accompagnée de votre preuve d'achat de l'appareil (facture) et de votre justificatif d'enregistrement de garantie.

Si Jøtul se trouve dans l'incapacité d'assumer la prise en charge sous garantie de votre appareil, Jøtul remplacera gratuitement votre produit par un appareil de puissance similaire.

Cette garantie est exclusive de toute autre garantie et prévaut sur toute autre garantie accordée par toute autre société du groupe Jøtul.

Índice

1.0	Relación con las autoridades	45
2.0	Información técnica	45
3.0	Seguridad	46
4.0	Instalación	50
5.0	Uso diario	59
6.0	Mantenimiento	60
7.0	Conservación	61
8.0	Problemas de funcionamiento : solución de problemas	64
9.0	Equipo opcional	64
10.0	Reciclaje	65
11.0	Garantía	65

Registre su chimenea en jotul.com y disfrute de 25 años de garantía.

Product: Jøtul Room heater fired by solid fuel				CE
Standard Minimum distance to adjacent combustible materials: Emission of CO in combustion products: Flue gas temperature Nominal heat output Efficiency Operational range Fuel type Operational type The appliance can be used in a shared flue.				
Country	Classification	Certificate/standard	Approved by	
Norway	Klasse II			
Sweden	100	SP	SP Sveriges Provings- och forskningsinstitut AB	
EUR	Intermittent	EN	EN Swedish National Testing and Research Institute	
Follow user's instructions. Use only recommended fuels. Montage- und Bedienungsanleitung beachten. Verwenden Sie nur empfohlenen Brennstoffen. Respect les consignes d'utilisation. Utilisez uniquement les combustibles recommandés.				
Serial no: Y-xxxx, Year: 200x				
Manufacturer: Jøtul AS POB 1641 N-1602 Fredrikstad Norway				221546

Todos nuestros productos disponen de una etiqueta que indica su número de serie y año. Escriba este número en el lugar indicado para ello en las instrucciones de instalación.

Indique siempre este número cuando se ponga en contacto con su distribuidor o con Jøtul.

Serial no.

1.0 Relación con las autoridades

La instalación de una estufa debe efectuarse con arreglo a la normativa legal de cada país. La instalación del producto debe cumplir toda la normativa local en vigor, incluyendo la que se aplica a nivel nacional y europeo.

La instalación sólo puede utilizarse una vez que haya sido revisada por un inspector cualificado.

Una lámina autoadhesiva de identificación resistente al calor se incluye con el producto. La lámina se encuentra en la bandeja de cenizas y debe ser fijada al producto en el lugar indicado en éste manual.

2.0 Información técnica

Material:	Hierro fundido
Acabado:	Esmalte negro
Combustible:	Madera
Longitud máxima de los troncos:	33 cm
Salida del tubo de humos:	Superior, posterior
Dimensión del tubo de humos:	Ø150 mm
Entrada de aire exterior:	Ø 100 mm
Peso con:	
- Jøtul F 361 Advance:	Aprox. 172 kg
Jøtul F 361 Advance + HT:	Aprox. 201 kg
Jøtul F 361 Advance + HT + sistema de almacenaje de calor:	Aprox. 251 kg
Jøtul F 363 Advance:	Approx. 164 kg
- Jøtul F 367 Advance:	Aprox. 229 kg
Jøtul F 367 Advance + HT:	Aprox. 279 kg
Jøtul F 367 Advance + HT + sistema de almacenaje de calor:	Aprox. 339 kg
- Jøtul F 368 Advance:	Aprox. 179 kg
Jøtul F 368 Advance + HT:	Aprox. 208 kg
Jøtul F 368 Advance + HT + sistema de almacenaje de calor:	Approx 258 kg

Suplementos opcionales: Conjunto giratorio (Jøtul F 363 Advance), puerta de hierro fundido para base, High Top, entrada de aire exterior, sistema de almacenaje de calor.

Dimensiones, distancias: Vea la **figura 1**

Especificaciones técnicas conforme a EN 13240/NS 3058

Potencia calorífica nominal:	6,0 kW
Volumen de humos:	6,3 g/s
Tiro de la chimenea, EN 13240:	12 Pa
Presión negativa recomendada en la salida de humos:	14-16 Pa
Rendimiento:	78% a 6,8 kW
Emisiones de CO (13% O ₂):	0,06%
Emisiones de CO (13% O ₂):	731 mg / Nm ³
Nox al 13% O ₂ :	93 mg/Nm ³
OGC al 13 % O ₂ :	45 mg/Nm ³
Consumo de aire:	5,2 litre/sec
Temperatura de la chimenea, EN 13240:	275 °C
Polvo:	<5 mg/Nm ³ al 13%O ₂
Emisión de partículas NS 3059:	2,9 g / kg

Tipo de combustible:	Madera
Longitud máx. de leño:	33 cm
Consumo de combustible:	2,1 kg/h
Consumo máx. de leña:	2,0 kg
Cantidad máx. de leña:	1,6 kg
Funcionamiento:	Intermitente

Combustión intermitente se refiere al uso normal de una estufa, es decir, añada más combustible cuando el fuego haya quedado reducido a rescoldos.

3.0 Seguridad

N. B.: para garantizar un rendimiento y seguridad óptimos, las estufas Jøtul deben ser instaladas por un instalador cualificado.

Cualquier modificación del producto por parte del distribuidor, instalador o usuario puede motivar que el producto y sus prestaciones de seguridad no funcionen del modo previsto. Esto también se aplica a la instalación de accesorios o extras opcionales suministrados por terceros. Lo mismo puede suceder si se desmontan o retiran componentes esenciales para el funcionamiento y la seguridad de la estufa.

En cualquier caso, el fabricante no se hará responsable del producto y el derecho a realizar una reclamación quedará anulado y sin validez.

3.1 Medidas de prevención de incendios

Existe un cierto elemento de riesgo cada vez que se usa la estufa. Por lo tanto, deben respetarse las siguientes instrucciones:

- Las distancias mínimas de seguridad al utilizar la estufa se muestran en la fig. 1.
- La distancia especificada a los materiales combustibles se aplica a este horno.
- El horno debe instalarse con tubos de humos con aprobación CE. La distancia entre el tubo de humos y materiales combustibles tiene también que considerarse
- Asegúrese de que no haya muebles ni otros elementos inflamables demasiado cerca de la estufa. Los elementos inflamables no deberían estar a menos de xxx mm de la estufa.
- Deje que el fuego se consuma por sí solo. Nunca apague las llamas con agua.

- La estufa se calienta cuando está encendida y puede causar quemaduras si se toca.
- Saque las cenizas solo con la estufa fría. Las cenizas pueden contener rescoldos calientes y, por lo tanto, deberán ponerse en un recipiente no inflamable.
- Las cenizas deberán sacarse al exterior o vaciarse en un lugar donde no supongan un riesgo de incendio.

Si se produce un incendio en la chimenea

- Cierre todas las trampillas y los respiraderos.
- Cierre la puerta de la estufa.
- Compruebe si hay humo en el sótano y en la buhardilla.
- Llame a los bomberos.
- Después de producirse un incendio, un experto deberá comprobar la estufa y la chimenea antes de utilizarse para asegurar que funciona correctamente.

3.2 Suelo

Anclaje, base

Debe verificar que la base se adecue a la instalación de una estufa. Compruebe el peso especificado en «2.0 Especificaciones técnicas».

Se recomienda retirar el revestimiento del suelo que no vaya fijado a la superficie correspondiente («suelos flotantes»).

Protección de suelos de madera

La Jøtul F 360 Advance Series dispone de una pantalla térmica en la parte inferior que protege el suelo de la radiación. El producto dispone de protector de suelo integrado de forma que se puede colocar directamente sobre un suelo de madera.

Si el suelo de debajo de la estufa está revestido de un material combustible, como linóleo, alfombras, etc, recomendamos retirarlo.

Requisitos de protección del suelo combustible de delante de la estufa

La placa frontal debe cumplir la normativa legal nacional. Póngase en contacto con el organismo local regulador de la construcción para informarse sobre las restricciones y los requisitos de la instalación.

3.3 Paredes

Distancia a paredes de material combustible

La estufa puede usarse con un tubo de humos sin aislamiento respetando las distancias con la pared de material inflamable indicadas en la **figura 1**.

Nota: Asegúrese de que los muebles y otros enseres estén a una distancia de la estufa que evite que se sequen con el calor.

3.4 Techo

Entre la estufa y el techo combustible debe mediar una distancia mínima de 750 mm.

Fig. 1A

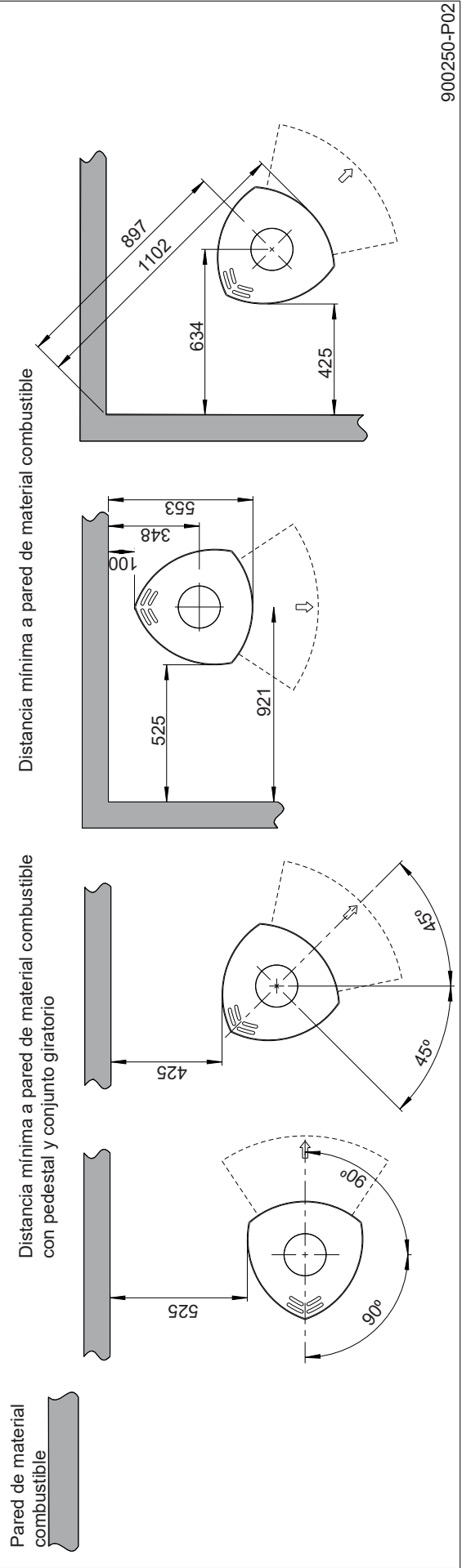
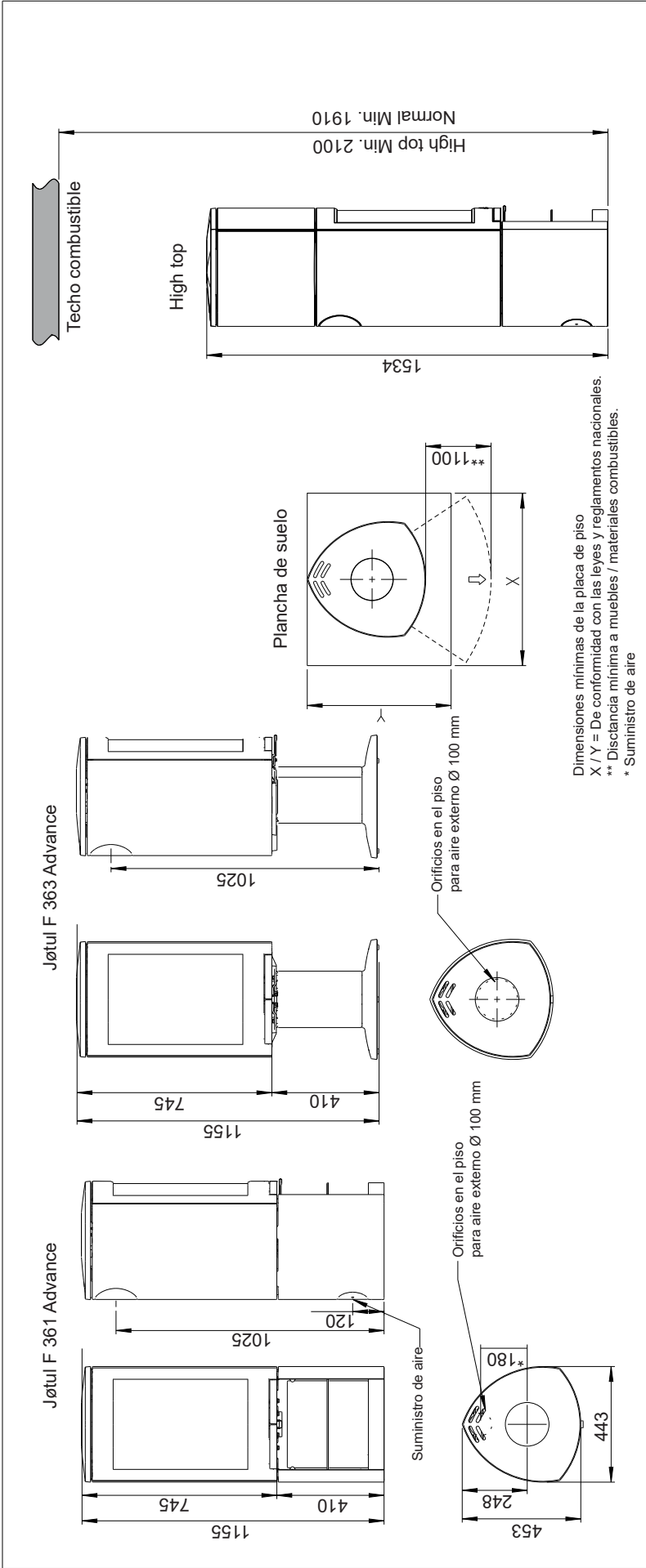
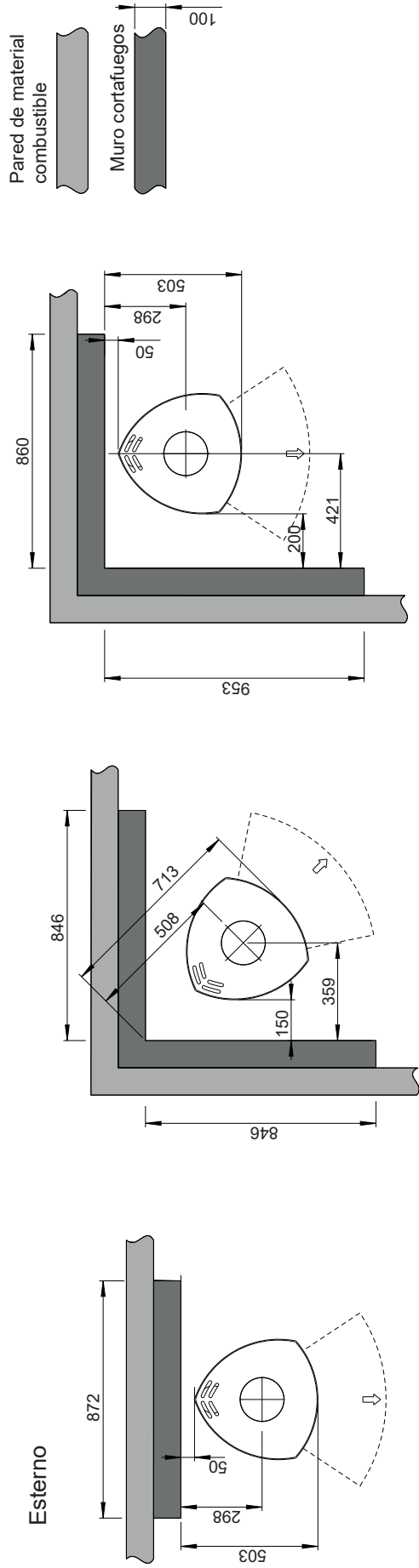
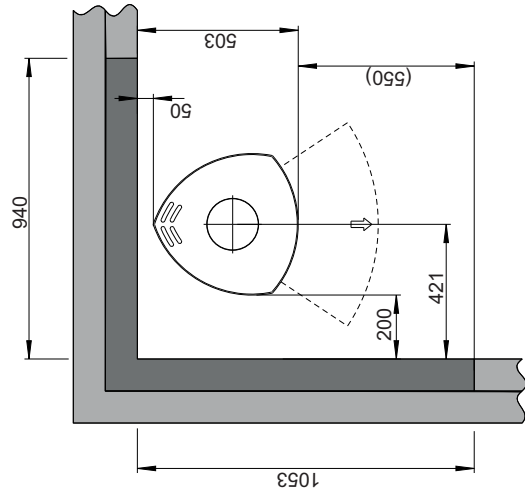
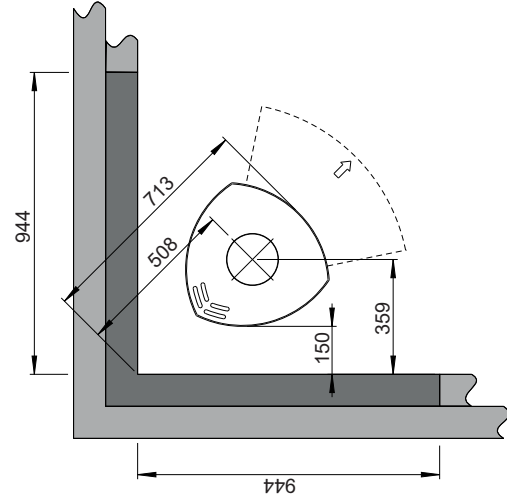
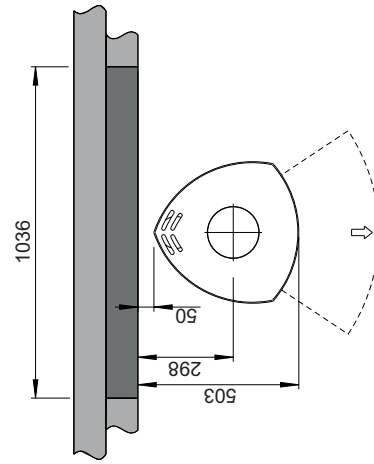


Fig. 1B

Jøtul F 360 Advance Distancia mínima a una pared de material no combustible



Integrado



Entrada de aire exterior

En las viviendas bien aisladas, es necesario contar con una buena renovación del aire de combustión. Este punto es particularmente importante en las casas con ventilación mecánica. El aire de renovación se puede obtener de varias maneras. Lo más importante es que la estancia en la que se encuentre la estufa reciba un suministro de aire adecuado. Coloque el regulador de entrada de aire exterior tan cerca de la estufa como sea posible y asegúrese de mantenerlo cerrado cuando la estufa esté apagada.

Respete la normativa nacional y local al instalar la conexión de aire exterior.

Compruebe que el sistema de ventilación de la habitación en la que va a instalar la hogar no está bloqueado.

Sistema de combustión cerrada

Si la vivienda es de reciente construcción y cuenta con buenos cerramientos, utilice el sistema de combustión cerrada de la estufa. Conecte la entrada de aire de combustión exterior mediante un tubo de ventilación que entre por la fachada o el suelo.

Suministro de aire

El volumen de aire de combustión para los productos de Jøtul es de aproximadamente 20-40 m³/h.

La conexión de aire exterior se puede conectar directamente a la Jøtul F 360 Advance por:

- a parte inferior
- a través de un tubo flexible desde el exterior/chimenea (solo si la chimenea tiene su propio conducto para aire externo) y al conector de aire externo del producto.

Fig. 2A, a través de una pared exterior

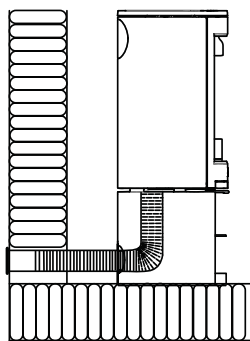


Fig. 2B, a través de la placa de piso y el suelo

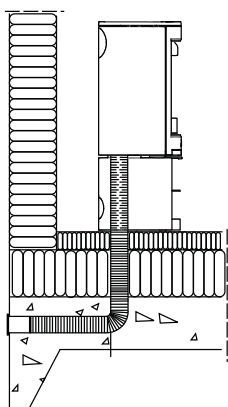


Fig. 2C, a través del suelo y el zócalo

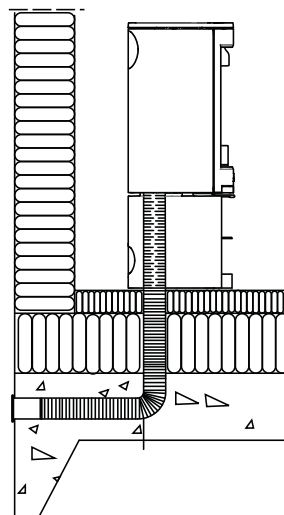
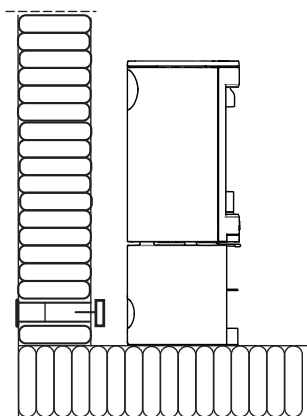


Fig. 2D, indirectamente a través de una pared exterior



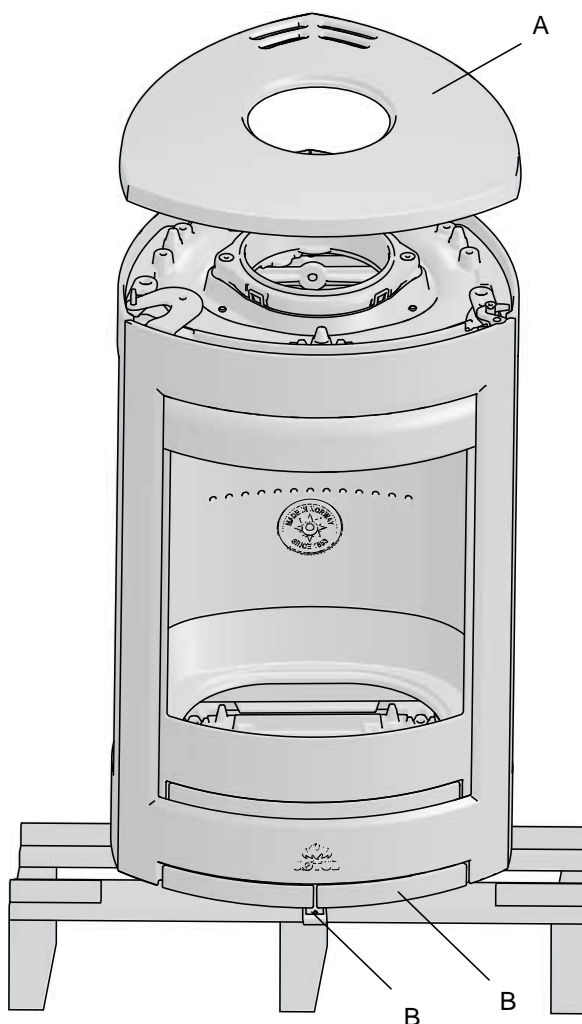
4.0 Instalación

- Antes de instalar la chimenea, compruebe detenidamente que no presente ningún daño.
- El producto es pesado. Solicite ayuda para colocarlo e instalarlo.
- Asegúrese de que el mobiliario y otros elementos del hogar se encuentren a una distancia segura de la chimenea para protegerlos de los efectos del calor.

4.1 Antes de la instalación

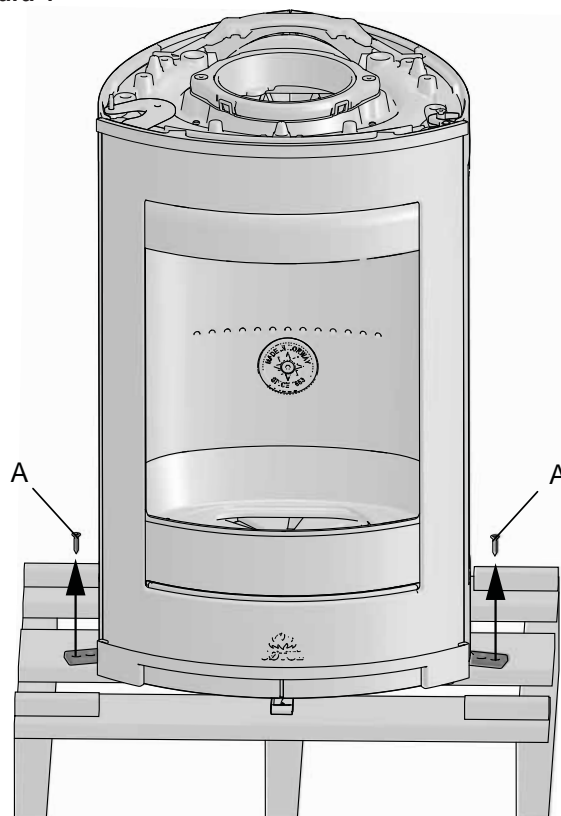
- El producto estándar se entrega en dos paquetes. Uno contiene la propia chimenea y el otro contiene la base o el pedestal en hierro fundido.
- Al desembalar el producto, saque la bandeja recogecenizas y su contenido, la rejilla, las placas de combustión, la placa deflectora y el deflector de escape. Consulte las figuras 20, 21, 33 y 34.

Figura 3



1. Retire la placa superior (A).
2. Compruebe que los mandos de regulación (B) se mueven sin problemas.

Figura 4

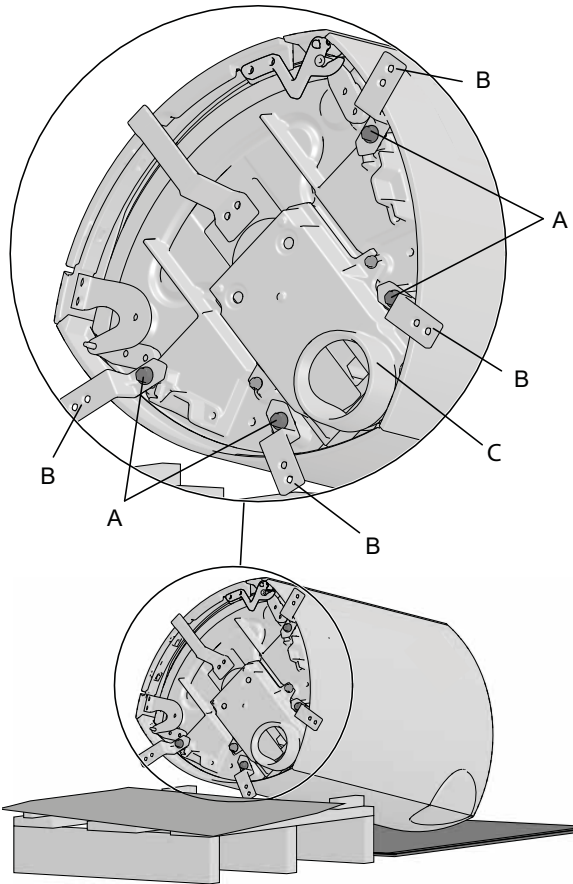


3. Retire los 4 tornillos de transporte (A) de los laterales y de la parte trasera

4.2 Instalación

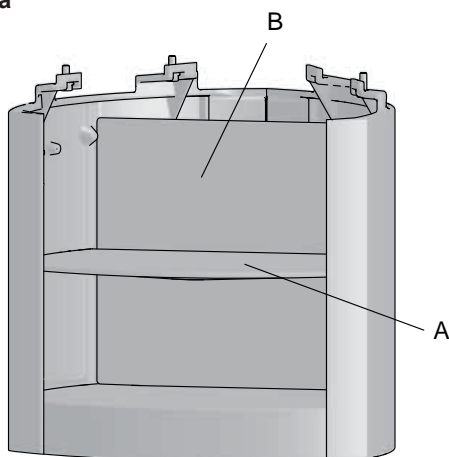
Jøtul F 361 Advance con base

Figura 5



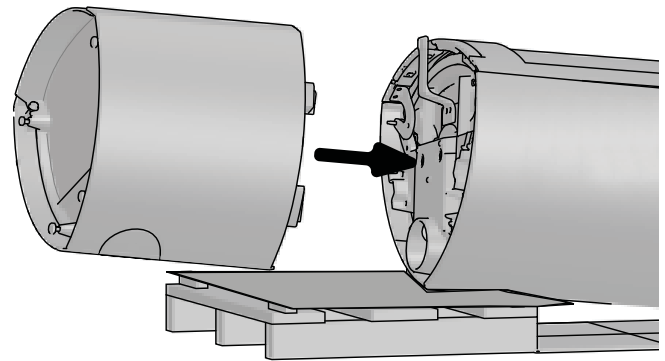
4. Extienda el embalaje de cartón en el suelo. Coloque el otro embalaje de cartón sobre el palé para proteger la pintura. Con cuidado, tumbe la cámara de combustión de lado sobre el palé.
5. Quite los tornillos de transporte (A) y extraiga los soportes (B). Conserve al menos dos de éstos tornillos, los necesitará si monta sobre pedestal.
6. **Nota:** Si va a utilizar una toma de aire exterior a través del suelo, deberá girar primero la entrada de aire exterior (C) (Consulte la figura 15.A).

Figura 6a



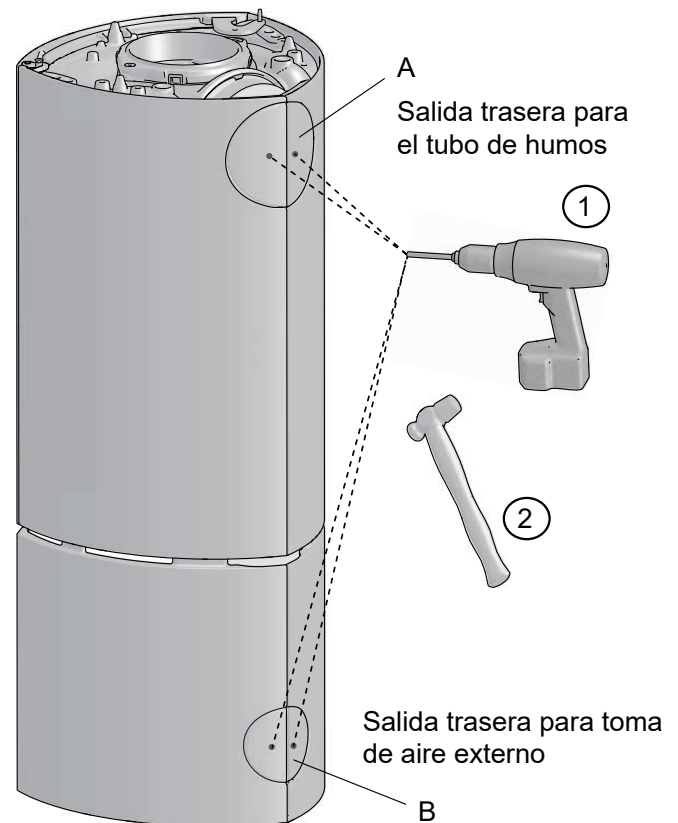
1. Antes de instalar la base en la cámara de combustión, retire la bandeja (A) y la placa trasera (B) del interior de la base.

Figura 6b



2. Una la base a la cámara de combustión utilizando los tornillos (Figura 5 B) facilitados.

Figura 7



Salida trasera para el tubo de humos

3. Taladre los orificios en la cubierta desmontable (A) para la salida de humos. Después desmonte la cubierta utilizando un martillo.

Salida trasera para toma de aire externo (extra opcional)

4. Si va a instalar una conexión de aire externo en la salida trasera (B) de la base, taladre primero los orificios en la cubierta desmontable y después desmonte el panel utilizando un martillo. **Nota:** Si va a utilizar una toma de aire externo a través del suelo de la base, **no desmonte la cubierta.**

ESPAÑOL

Jøtul F 361 HT Advance - Estufa con base y High Top



Vea las Instrucciones de instalación para High Top art. nr. 10050932

Jøtul F 368 Advance - Estufa con base y puerta de base



Vea las instrucciones de instalación para High Top art. nr. 10050932

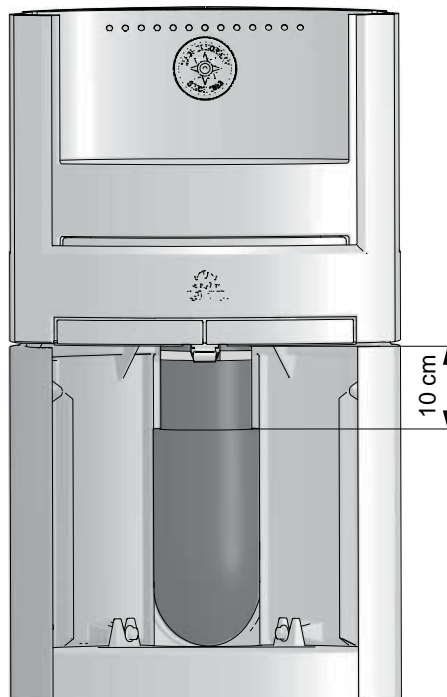
Vea las instrucciones de instalación para puerta de base, art. nr. 10051081

4.3 Montaje con una toma de aire externo (extra opcional)

Jøtul F 361 con salida trasera

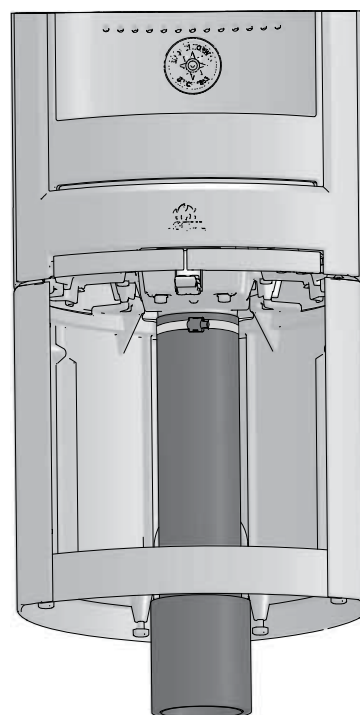
Si va a instalar una toma de aire externo, consulte las instrucciones de montaje incluidas con el kit de aire externo.

Figura 8



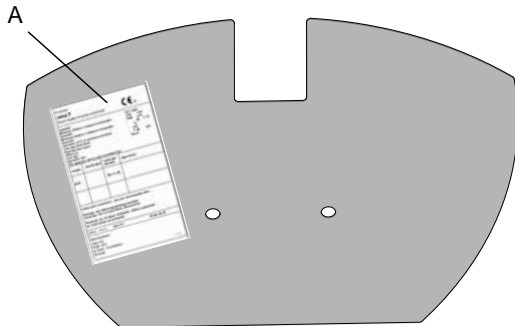
Jøtul F 361 con conexión de aire externo a través del suelo

Figura 9



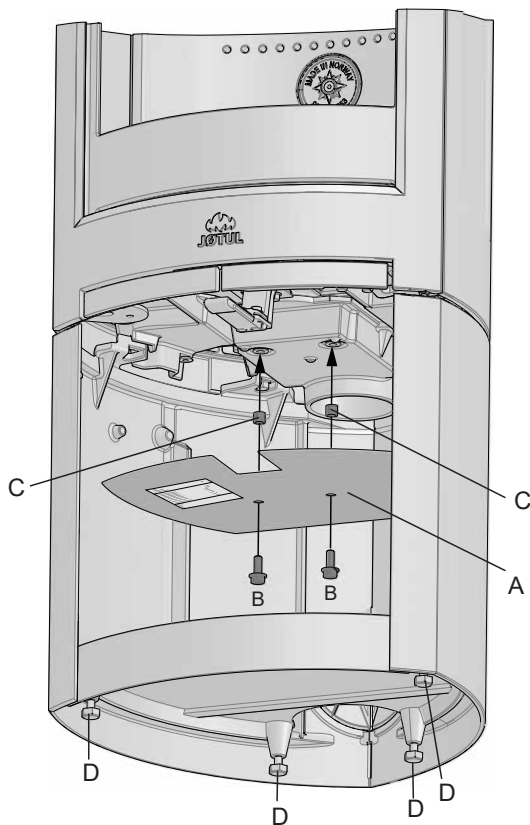
4.4 Ubicación de la etiqueta de homologación

Figura 10



1. Pegue la etiqueta de homologación, que se encuentra dentro de la bandeja recogecenizas, en la parte inferior de la pantalla térmica de la cámara de combustión. (Esta etiqueta es importante para la homologación del producto).

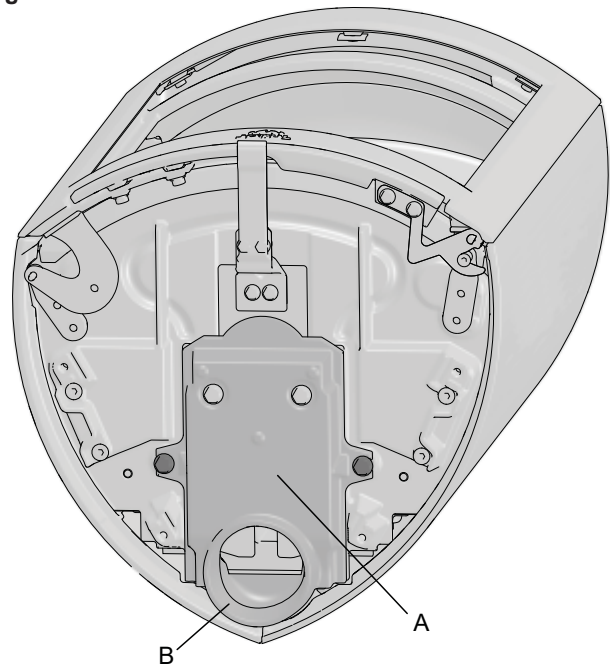
Figura 11



1. Coloque la placa trasera en su posición (A) en la base.
2. Sujete a la cámara de combustión el escudo deflector de calor (A), utilizando los tornillos (B) y pasadores (C) incluidos en la bolsa de tornillos.
3. Nivele el producto con los 4 tornillos de ajuste (D).
Nota: Si va a utilizar una plancha de suelo de cristal (extra opcional), deberá elevar la base unos 8 mm del suelo para que la plancha de suelo pueda introducirse bajo el borde delantero de la base.
4. Si va a utilizar una toma de aire externo, introduzca el tubo flexible por el orificio de la placa inferior y conéctelo a la salida de humos mediante una abrazadera para tubos. Asegúrese de que el tubo flexible sea lo suficientemente largo para no tener que hacer empalmes.

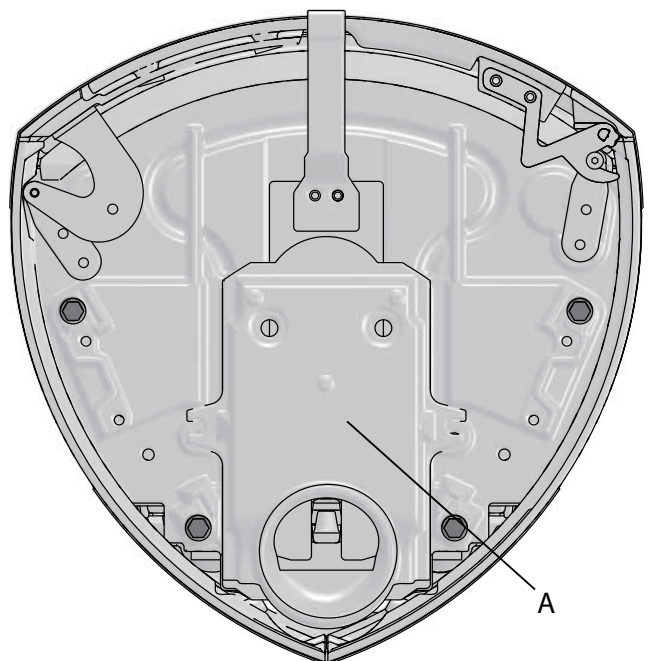
Jøtul F 363 Advance con pedestal

Figura 12

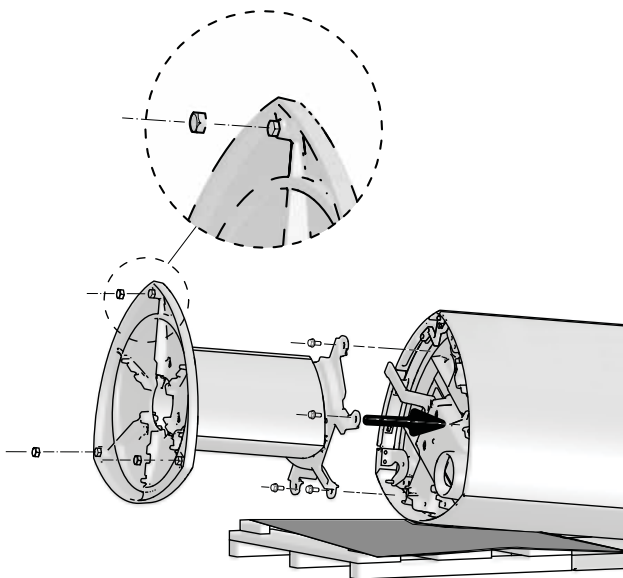


- De serie, la tapa de la toma de aire exterior (A) con la abertura (B) va situada en la parte trasera de la cámara de combustión.

Figura 13



- Nota:** Si va a utilizar una toma de aire exterior a través del suelo, deberá girar primero la entrada de aire exterior (Figura 15.A).

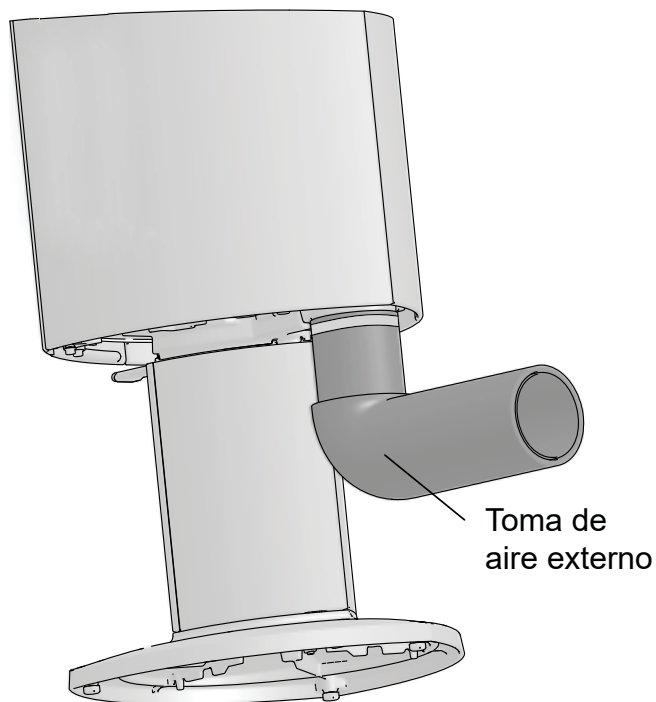


- Utilice los tornillos de la bolsa de tornillos para unir el pedestal con la cámara de combustión en el frente. Detrás, emplee dos de los tornillos de los soportes (**fig. 5 A**). Ponga el producto en vertical.

4.5 Montaje con una toma de aire externo (extra opcional)

Jøtul F 363 con salida trasera

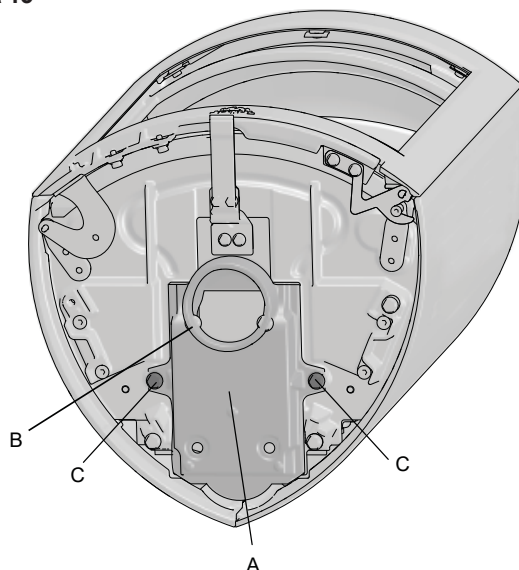
Figura 14



Jøtul F 363 con conexión de aire externo a través del suelo

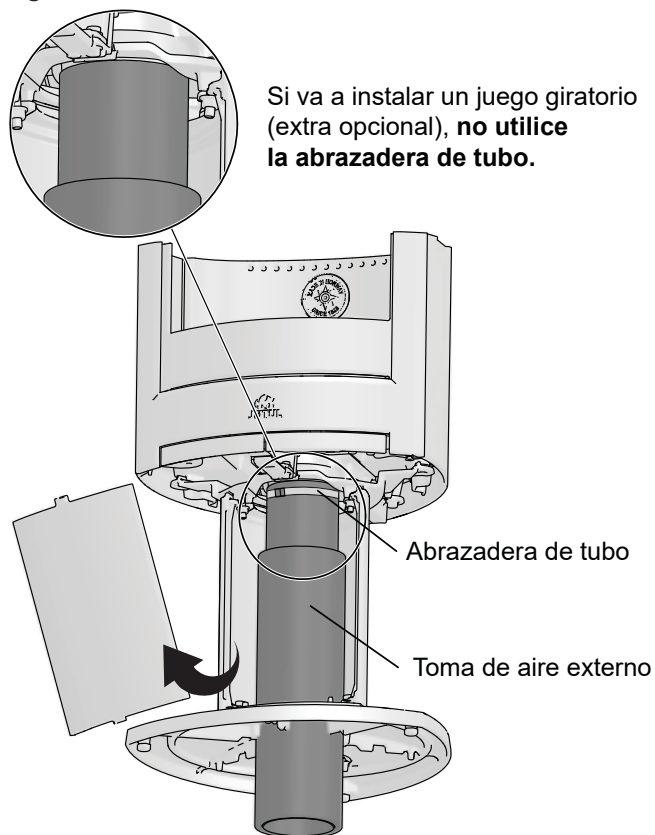
Si el producto Jøtul F 363 Advance se va a instalar con una toma de aire externo a través del suelo, primero se debe girar la entrada de aire exterior (**A**).

Figura 15



1. Afloje los tornillos (**C**). Gire la toma de aire exterior de modo que la abertura quede situada en el medio.

Figura 16



El kit de la toma de aire externo se conecta a la toma de aire externo en la parte inferior de la cámara de combustión.
Nota: Si va a instalar una placa giratoria, deberá instalarla antes de colocar la estufa en posición vertical. Consulte las instrucciones de montaje incluidas en el juego giratorio.

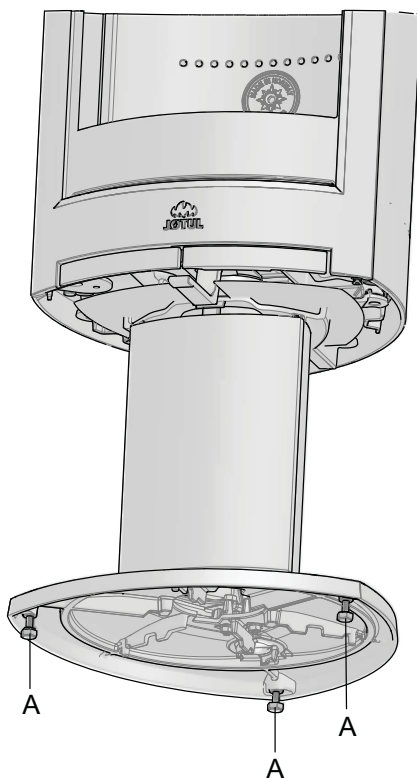
4.6 Ubicación de la etiqueta de homologación

Figura 17



- Desmonte la cubierta delantera del pedestal.
- Pegue la etiqueta de homologación (A), que se encuentra dentro de la bandeja recogecenizas, en la parte interior de la cubierta delantera. (Esta etiqueta es importante para la homologación del producto).

Figura 18



- Nivele el producto con los 3 tornillos de ajuste (A). **Nota:** Si va a utilizar una plancha de suelo de cristal (extra opcional), el producto deberá elevarse unos 8-10 mm del suelo utilizando los 3 tornillos de ajuste.

4.7 Chimenea y tubo del tiro

- La estufa solo debe conectarse a una chimenea y tubo de tiro homologados para estufas de combustible sólido con temperaturas de gas de tiro conforme a lo especificado en «2.0 Datos técnicos».
- La sección de la chimenea debe estar diseñada para ajustarse a la estufa. Emplee «2.0 Datos técnicos» para calcular la sección correcta de chimenea.
- La chimenea debe conectarse de acuerdo con las instrucciones de instalación del proveedor de la chimenea.
- Antes de practicar un orificio en la chimenea, debe instalarse provisionalmente el producto para marcar correctamente la posición de la estufa y del orificio de la chimenea. Consulte la Fig. 1 para determinar las dimensiones mínimas.
- Con una salida trasera, emplee un codo de tubo de tiro con una trampilla que permita su deshollinado.
- No olvide que es de suma importancia que las conexiones ofrezcan un cierto grado de flexibilidad. Ello tiene como fin prevenir que el movimiento de la instalación pueda generar grietas.
- Para recomendaciones sobre la corriente de chimenea, consulte el apartado «2.0 Especificaciones técnicas». Para las dimensiones del tubo de tiro con la sección correspondiente, consulte «2.0 Especificaciones técnicas».

N. B.: La longitud mínima recomendada de la chimenea es de 3,5 m desde la inserción del tubo de tiro. Si la corriente es demasiado fuerte, podrá instalarse un amortiguador de tubo de tiro y utilizarse para reducir la corriente.

Empleo en condiciones climatológicas diversas

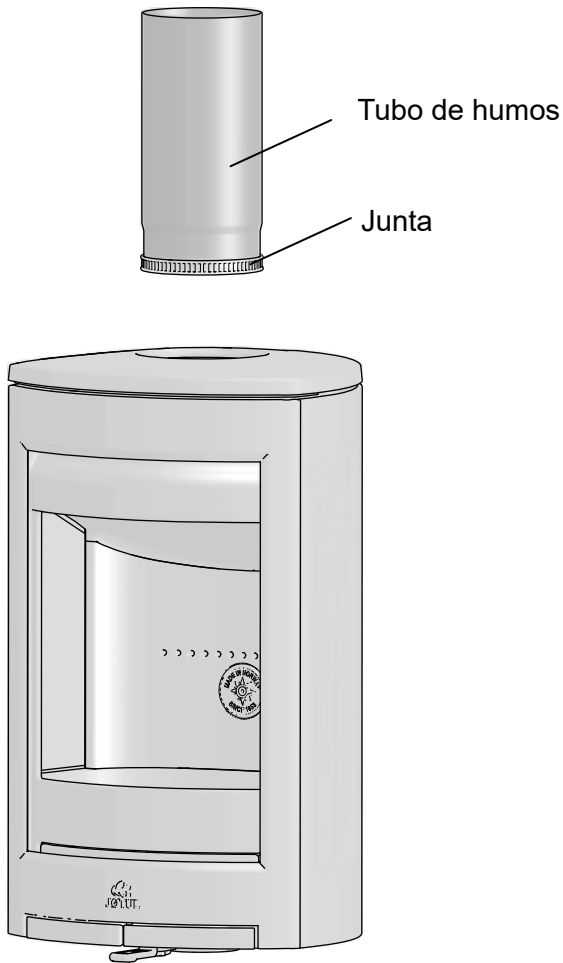
El efecto del viento en la chimenea puede influir en gran medida en el modo de reacción de la estufa ante diferentes cargas por viento de modo que puede ser necesario regular la alimentación de aire para lograr una buena combustión. Además, puede suponer una ventaja montar una trampilla dentro del tubo de combustión para de este modo regular el tiro de la chimenea durante las variaciones de la carga por viento.

Incluso la niebla puede influir en gran medida en el tiro de la chimenea, por lo cual pueden ser necesarios otros ajustes del aire de combustión para lograr una buena combustión.

Montaje del tubo de humos con salida superior

De serie, el producto se entrega con una salida de humos por la parte superior.

Figura 19



1. Coloque la junta en el extremo inferior del tubo de humos.
2. Inserte el tubo de humos por la placa superior.

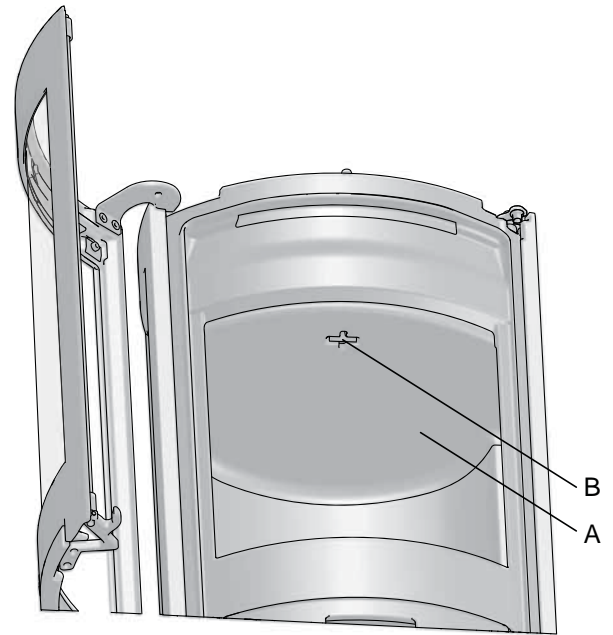
Montaje del tubo de humos con salida trasera

De serie, el producto se entrega con una salida de humos instalada para expulsión por la parte superior. Si necesita que el tubo de humos vaya en la parte posterior, lleve a cabo los pasos siguientes:

- Coloque el producto correctamente (consulte **la Figura 1**).

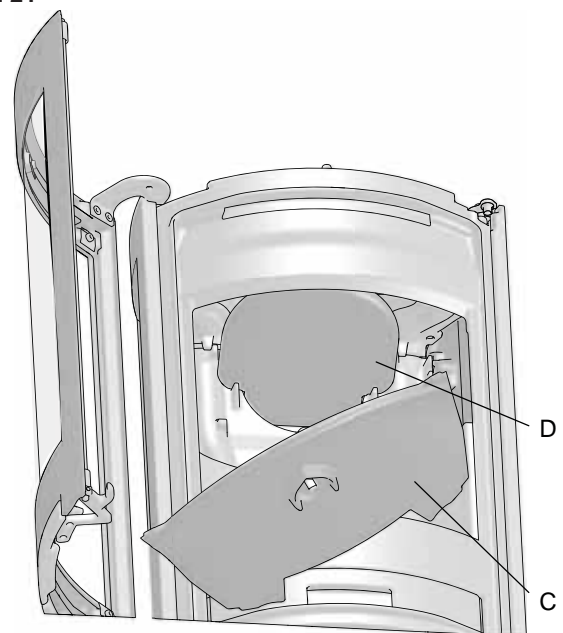
El primer paso para cambiar de una salida superior a una trasera consiste en desmontar la placa deflectora y los deflectores de escape del interior de la cámara de combustión.

Figura 20



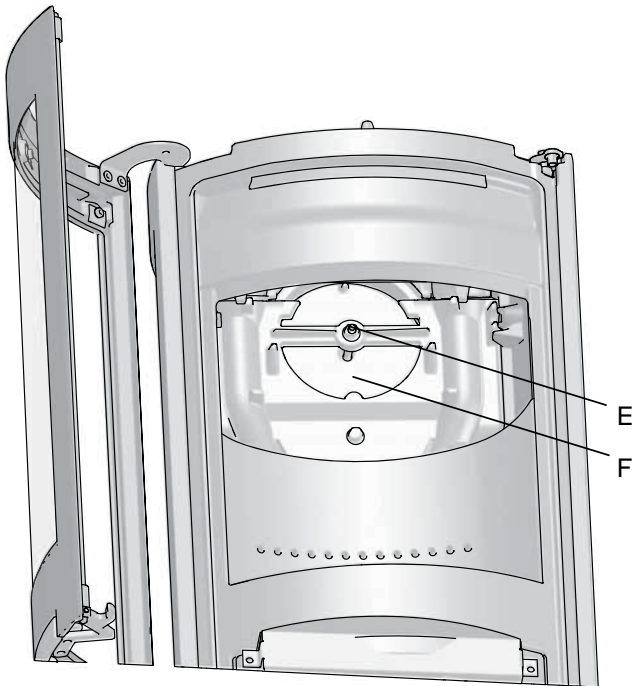
1. Levante la placa deflectora y gire la llave (B) 90° en la placa deflectora (A). Después, retire la llave.
2. Levante el extremo trasero de la placa deflectora (A) e inclínela para sacarla

Bild 21



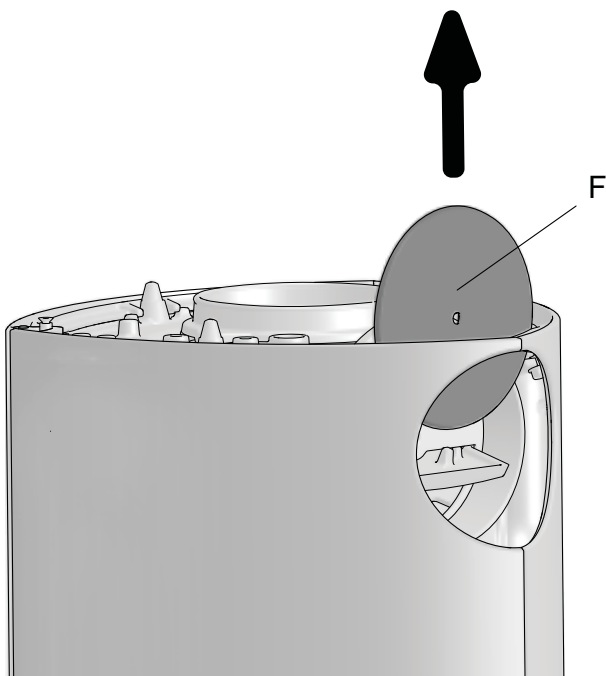
3. Levante el extremo trasero del deflector de escape inferior (C) e inclínelo para sacarlo.
4. Después, desmonte el deflector de escape superior (D).

Figura 22



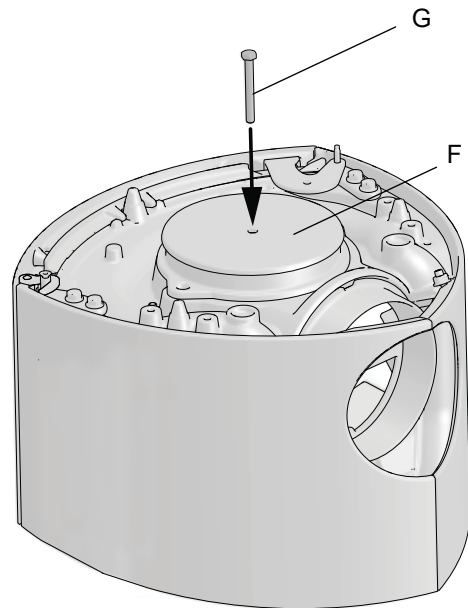
5. Afloje el tornillo (E) que sujeta la tapa (F) en su posición

Figura 23



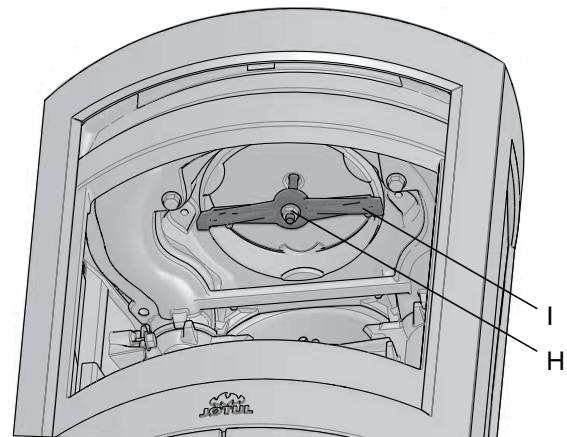
6. Saque la tapa (F) hacia arriba.

Figura 24



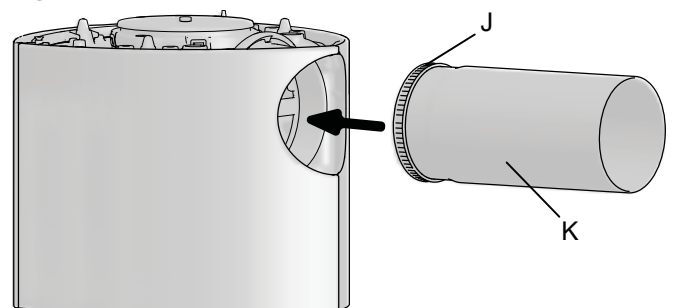
7. Coloque la tapa de la toma trasera en la toma superior y atornillela.

Figura 25



8. Coloque el travesaño (I) de la bandeja recogecenizas en el tornillo (G) utilizando la tuerca (H).

Figura 26



9. Coloque la junta (J) en el extremo del tubo de humos (K).
10. Introduzca el tubo de humos en la salida de humos.
11. Coloque la placa superior y la tapa de nuevo en su posición.

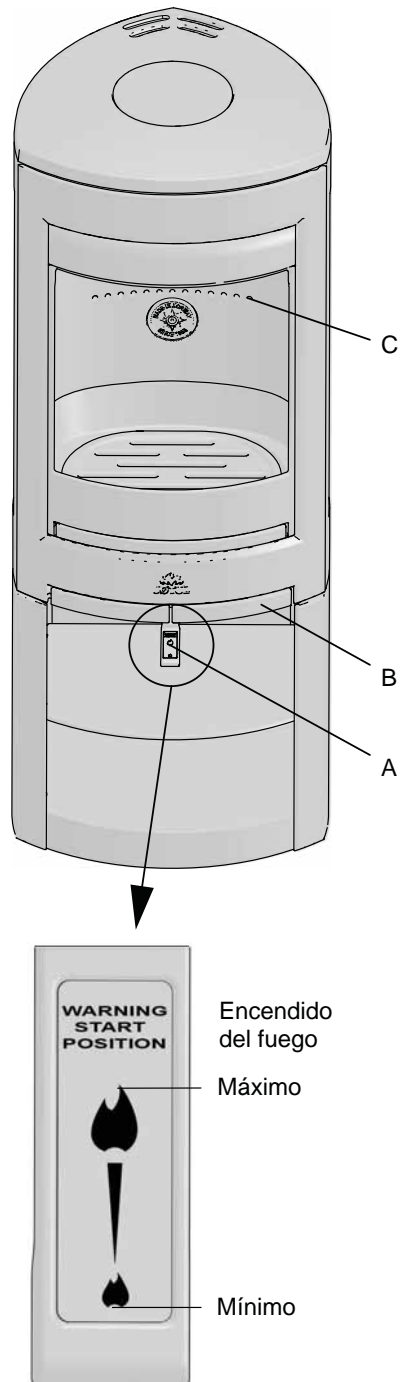
Nota: Es importante que la unión entre la salida y el tubo sea totalmente hermética. Las fugas de aire pueden impedir que el producto funcione adecuadamente.

4.8 Comprobación del rendimiento

Cuando el producto esté montado, compruebe los mandos de regulación; deben moverse con facilidad y funcionar correctamente.

La Jøtul F 360 Advance cuenta con los elementos de mando siguientes:

Figura 27



Entradas de aire primario y secundario (A)
Botón pulsado: Cerrado
Sin pulsar: Abierto

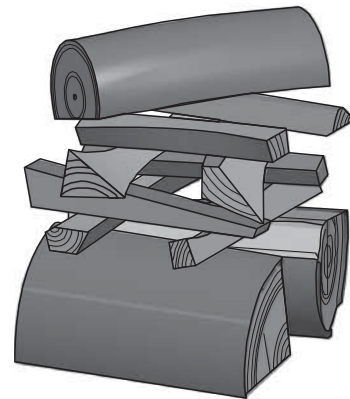
Tirador (B):
 Para abrir la puerta.

Altura de apilado (C) de los troncos (los orificios no deben quedar tapados).

4.9 Encendido inicial

- Abra el respiradero de aire / el respiradero de encendido tirando de los manillares (A) hasta el tope. (Use un guante o algo similar para protegerse la mano en caso de que los manillares estén calientes).
- Coloque dos troncos en la parte inferior de la cámara de combustión y apile las astillas para encender en capas).
- Por último, ponga un tronco de tamaño medio en la parte superior de la pila.
- Ponga 2 ó 3 briquetas o astillas para encender debajo de la capa superior de astillas y encienda el fuego. **Nota:** La altura máxima de la pila de madera debe estar justo debajo de los orificios horizontales (Fig. 29 H). No deben cubrirse los orificios.
- Entonces podrá regular el régimen de combustión para obtener el calor que desee ajustando el respiradero (Fig. 27 C).
- Compruebe que se inicia la postcombustión (combustión secundaria). Se indica mediante llamas amarillas que bailan delante de los agujeros debajo de la placa deflectora.
- Si el caudal de aire es normal, podrá cerrar la puerta y el fuego se mantendrá por sí mismo.
- Cierre la puerta de la estufa. Siempre debe estar cerrada cuando el fuego esté encendido.

Figura 28



Añadir madera

Avive la estufa con frecuencia pero añada solo una pequeña cantidad de leña en cada ocasión. Si la estufa está demasiado llena, el calor generado podría causar una elevada tensión en la chimenea. Añada combustible al fuego con moderación. Evite el fuego sin llama, pues es el que produce más contaminación. El fuego irá mejor cuando arda bien y el fuego que salga por la chimenea sea casi invisible.

4.7 Peligro de sobrecalentamiento

La estufa no debe usarse nunca de manera que se sobrecaliente

Se produce sobrecalentamiento cuando hay demasiado combustible y/o demasiado aire y se produce demasiado calor. Un signo seguro de sobrecalentamiento es cuando partes de la estufa se ponen al rojo. Si sucede esto, reduzca de inmediato la abertura del respiradero.

Solicite la ayuda de un profesional si sospecha que la corriente de la chimenea no es correcta (demasiada corriente o demasiado poca). Para más información, consulte «4.0 Instalación» (chimenea y tubo de tiro).

Condensación

Puede darse condensación en hogares / conductos / chimeneas. La condensación la generan la leña con exceso de humedad y las diferencias de temperatura entre el hogar y el entorno, especialmente por enfriamiento del conducto. El líquido de condensación de la chimenea aparece como un líquido negro tipo alquitrán. Este líquido conviene limpiarlo inmediatamente para evitar que se decolore la superficie afectada, ya sea el hogar, la estufa, el suelo, o el revestimiento. Es importante comenzar con un fuego vivo lo antes posible para evitar condensaciones.

Si la condensación continúa, puede colocar arena mineral en la base de la cámara de combustión.

4.8 Eliminación de la ceniza

Jøtul F 360 Advance está equipado con una bandeja que facilita la eliminación de cenizas.

- Esto debe ocurrir cuando la chimenea es fría.
- Sacuda la ceniza para que caiga a través de la parrilla de la placa base a la bandeja para la ceniza. Utilice un guante o un trapo para sujetar el tirador de la bandeja para ceniza y retirar la ceniza.
- Asegúrese de que la bandeja para ceniza no se llena hasta el punto de impedir que la ceniza caiga a la bandeja a través de la parrilla.

5.0 Uso diario

5.1 Funcionamiento

Olores al usar la estufa por primera vez

Cuando se usa la estufa por primera vez, puede emitir un gas irritante que huele ligeramente. Esto ocurre debido a que se seca la pintura. El gas no es tóxico, pero la habitación deberá ventilarse completamente. Deje que el fuego arda con mucha corriente hasta que haya desaparecido todo rastro del gas y no sea posible detectar humo ni olores.

Consejos de calentamiento

Nota: Los troncos que se hayan almacenado en el exterior o en una habitación fría deberán meterse al interior 24 horas antes de usarlos para que alcancen la temperatura ambiente.

Hay varias formas de calentar la estufa, pero siempre es importante tener cuidado con lo que introduce en ella. Consulte la sección sobre "Calidad de la madera".

Calidad de la madera

Por madera de calidad nos referimos a los tipos más conocidos de madera, como abedul, picea y pino.

Los troncos deben secarse de forma que su contenido en humedad no supere el 20 %.

Para esto, los troncos deben cortarse a finales del invierno. Deben partirse y apilarse de forma que se garantice una buena ventilación. Las pilas de madera deben estar cubiertas para proteger los troncos de la lluvia. Los troncos deben ponerse a cubierto a principios del otoño y apilarse para utilizarlos en el próximo invierno.

Tenga cuidado especialmente de no usar nunca los siguientes materiales como combustible en su estufa:

- Basura doméstica, bolsas de plástico, etc.
- Madera pintada o impregnada (*que es extremadamente tóxica*).
- Planchas de madera laminada.
- Restos de madera

Pueden dañar el producto y también son contaminantes.

Nota: Nunca use gasolina, parafina, alcohol desnaturalizado o líquidos similares para encender el fuego. Puede sufrir lesiones graves y ocasionar serios daños al producto.

Madera

Jøtul F 360 Advance tiene una producción de calor nominal de 5,5 kW. Uso de madera, con la emisión de calor nominal: Aprox. 1,9 Kg/h.

Otro factor importante para optimizar el consumo de combustible es que los troncos tengan el tamaño correcto. El tamaño de los troncos debe ser:

Astillas:

Longitud: 27-30 cm

Diámetro: 2-5 cm

Cantidad por fuego: 6-8 trozos

Leña (troncos partidos):

Longitud: ca 27 - 30 cm

Longitud máximo: 33 cm

Diámetro: Aprox. 8 cm

Intervalos de adición de madera: cada 45 minutos aprox.

Tamaño del fuego: 1,6 kg

Cantidad por carga: 2 piezas

La potencia calorífica nominal se alcanza cuando las entradas de aire primario y secundario están abiertas a aproximadamente el 22 % (**Figura 27 A**); sacadas aproximadamente 12,5 mm.

5.2 Incidencia del viento y la condiciones meteorológicas sobre el rendimiento de la estufa

El rendimiento de la estufa puede verse notablemente afectado por las variaciones en la fuerza del viento que incide sobre la chimenea. Por ello, es posible que haya que ajustar la entrada de aire para lograr una combustión adecuada. También puede ser buena idea instalar una compuerta en el tubo de humos para poder regular el tiro de la chimenea en función de la fuerza del viento.

La niebla y la neblina pueden afectar de forma importante al tiro de la chimenea; por eso, en estos casos puede ser necesario modificar los ajustes del aire de combustión para garantizar un buen rendimiento.

5.3 Chimenea

La chimenea es el «motor» del aparato, por lo que es esencial disponer de una buena chimenea para que funcione correctamente.

El tiro de la chimenea genera en el hogar un vacío que expulsa el humo al exterior e inyecta aire por el deflector de aire de combustión para alimentar el fuego.

El aire de combustión también alimenta el sistema de limpieza por aire que evita que se acumule hollín en el cristal.

El tiro se produce por la diferencia de temperatura entre el interior y el exterior de la chimenea. Cuanto mayor es la diferencia de temperatura, mejor tira la chimenea. Por tanto, es importante dejar que la chimenea alcance la temperatura de funcionamiento adecuada antes de ajustar las entradas de aire para limitar la combustión en el hogar (*las chimeneas de obra tardan más que las de acero en alcanzar la temperatura de funcionamiento*).

Es especialmente importante alcanzar la temperatura de funcionamiento con la máxima rapidez en los días de viento desfavorable y condiciones meteorológicas adversas. Asegúrese de que el combustible prenda lo antes posible. Consejo práctico: corte la leña en trozos mucho más pequeños y utilice más pastillas de encendido.

Nota: si no ha utilizado el aparato durante bastante tiempo, asegúrese de que la chimenea no esté obstruida

6.0 Mantenimiento

6.1 Limpieza del cristal

El producto está equipado con un sistema de inyección de aire para el cristal. El aire se introduce a través del respiradero de la parte superior del producto y se desplaza hacia abajo a lo largo de la cara interior del cristal.

Aunque siempre se adhiere algo de hollín al cristal, la cantidad dependerá de las condiciones de tiro locales y del ajuste del respiradero de ventilación. La mayor parte de la capa de hollín se suele quemar cuando se abre completamente el respiradero de ventilación y arde un fuego vivo en la estufa.

Un buen consejo! Para la limpieza normal humedezca una toalla de papel en agua caliente y añádale cenizas de la cámara de combustión. Frote el cristal con la toalla de papel y, a continuación, enjuáguelo con agua limpia. Séquelo bien. Si es necesario limpiar el cristal más a fondo, recomendamos el empleo de un limpiacristales (*siga las instrucciones de uso del envase*).

6.2 Limpieza y eliminación del hollín

Pueden acumularse depósitos de hollín sobre las superficies internas de la estufa durante su uso. El hollín es un buen aislante y, por lo tanto, reduce la producción de calor de la estufa. Si dichos depósitos de hollín se acumulan durante el uso del producto, pueden eliminarse fácilmente con el limpiador de hollín.

Para evitar que en la estufa se forme una capa de agua y de alquitrán, es necesario dejar regularmente que el fuego arda con fuerza. Para obtener la máxima producción calorífica del producto, es necesario limpiar el interior del producto una vez al año. Es una buena idea hacerlo cuando desholline la chimenea y los tubos de humos.

6.3 Deshollinar los tubos de humos a la chimenea

En determinadas estufas autoestables, la placa superior puede retirarse, deshollinando el tubo por la parte superior.

En caso contrario, se deben deshollinar los tubos de humos a través de una trampilla de deshollinamiento del tubo de humos o a través de la puerta del producto. Deberá retirarse la placa deflectora.

6.4 Inspección de la estufa

Jøtul le aconseja que inspeccione personalmente la estufa de forma minuciosa después de deshollinar o limpiar. Compruebe si existen fisuras en las superficies visibles. Compruebe también que todas las uniones están selladas y que las juntas están bien colocadas. Las juntas que muestren signos de desgaste o deformación deben sustituirse.

Limpie a fondo las ranuras de la junta, aplique adhesivo cerámico (disponible en su proveedor Jøtul local) y presione sobre la junta para que encaje en posición. La unión se secará en poco tiempo.

6.5 Mantenimiento exterior

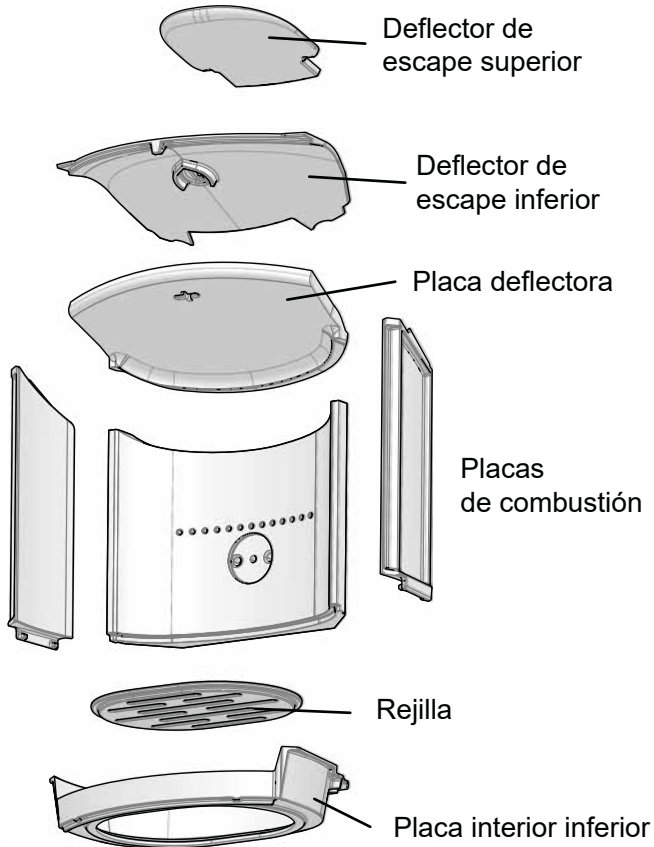
Tras algunos años de utilización es posible que el color de los productos pintados se altere. Debe cepillarse la superficie para limpiarla de partículas sueltas antes de aplicar la nueva pintura.

Los productos esmaltados deben limpiarse únicamente con un paño limpio y seco. No utilice agua y jabón. Las manchas pueden eliminarse con un líquido de limpieza (*un producto para limpiar hornos, etc.*).

7.0 Conservación

Está prohibido realizar modificaciones no autorizadas en el producto.
Deben utilizarse exclusivamente piezas de repuesto originales.

Figura 29

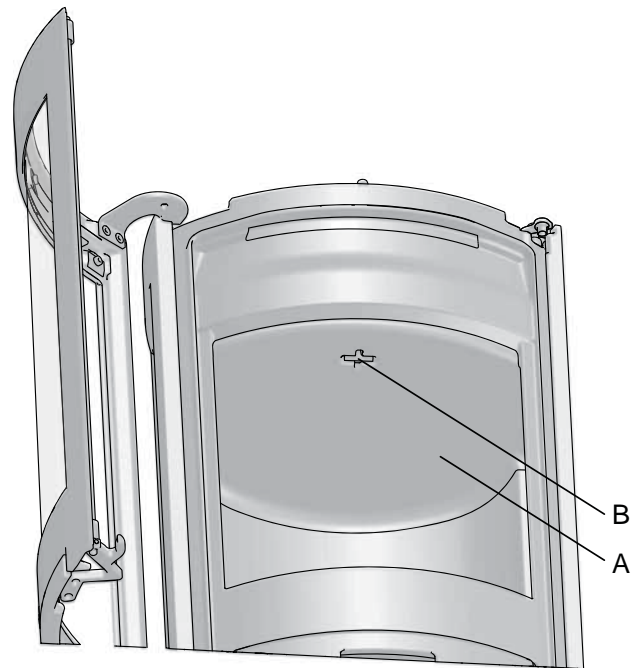


7.1 Sustitución de piezas de la cámara de combustión

Use las herramientas con mucho cuidado. El panel Skamol (placa de combustión trasera) debe manipularse con extremo cuidado para evitar que sufra daños.

Sustitución de la placa deflectora

Figura 30

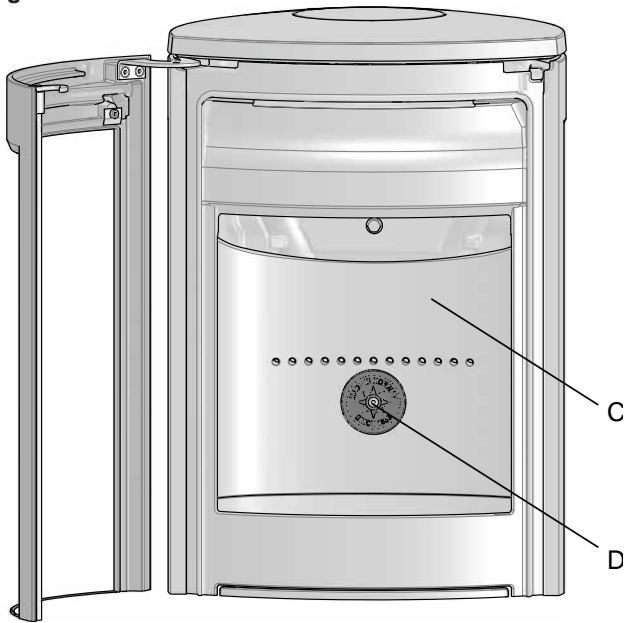


1. Levante la placa deflectora (A) y gire la llave (B) 90° en la placa deflectora (A). Después, retire la llave. Levante el extremo trasero de la placa deflectora e inclínela para sacarla.

ESPAÑOL

Sustitución de la placa de combustión

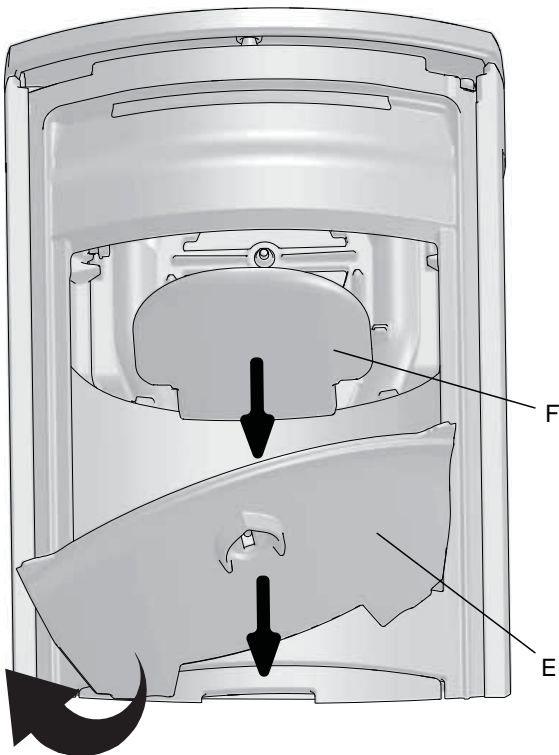
Figura 31



2. Desmonte la placa de combustión (C) quitando el tornillo (D) situado en el centro de la placa de fijación. Levántela e inclínela para sacarla.

Sustitución de los deflectores de escape

Figura 32

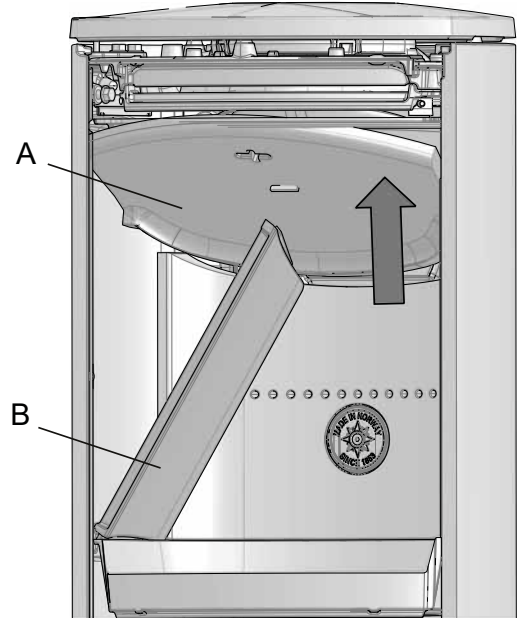


3. Los deflectores de escape superior e inferior están situados sobre la placa deflectora. Desmonte el deflector inferior (E) levantándolo por el extremo trasero e inclinandolo para sacarlo.
4. Levante el deflector superior (F) para sacarlo de las ranuras y sáquelo de la cámara de combustión.
5. El procedimiento para montar las piezas nuevas es el mismo en orden inverso.

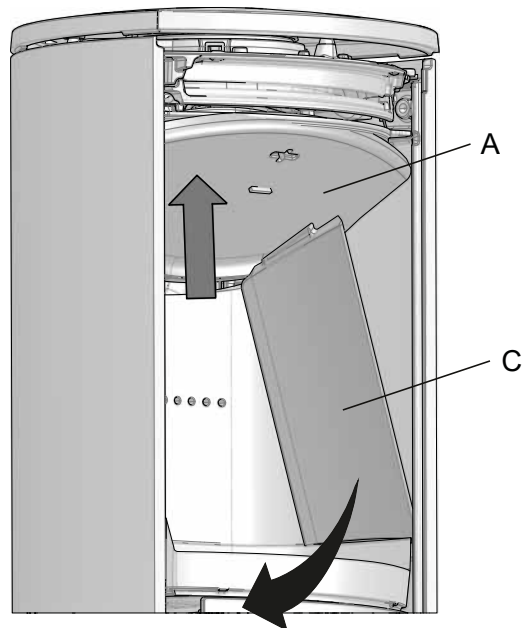
7.2 Sustitución de la placa de combustión/placa inferior interna y rejilla

(Si va a utilizar herramientas, es importante que tenga mucho cuidado con el panel Skamol para que no resulte dañado).

Figura 33



1. Levante un poco el deflector de llama (A) y retire la placa de combustión (B) de la cámara. Nota! El deflector de llama mantiene las placas laterales en posición. Asegúrese de que las placas de combustión no caigan cuando levante el deflector.



2. Retire la placa lateral (C) del otro lado de la cámara de combustión.

Fig. 34



1. Levante la placa deflectora y gire la llave (**Figura 30 B**) 90° en la placa deflectora (**Figura 30 A**). Después, retire la llave. Levante el extremo trasero de la placa deflectora (**G**) e inclínela para sacarla.
2. Desmonte la placa de combustión (**Figura 31 C**) quitando el tornillo (**Figura 31 D**) situado en el centro de la placa de fijación. Levante la placa de combustión e inclínela para sacarla.
3. Desmonte la rejilla (**G**).

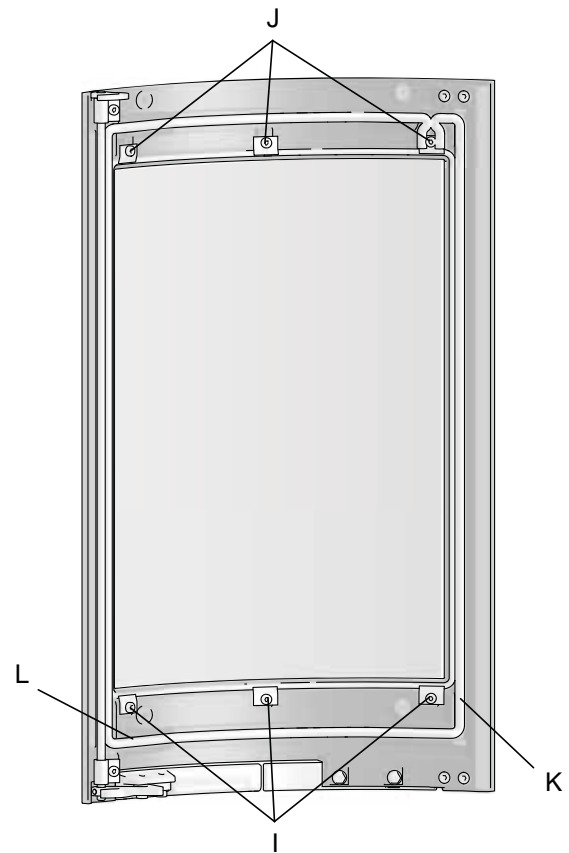
Figura 35



4. Levante la placa interior inferior (**H**) e inclínela para sacarla.
5. El procedimiento para montar las piezas nuevas es el mismo en orden inverso.

7.3 Sustitución del cristal de la puerta y las juntas

Figura 35



1. Para sustituir el cristal de la puerta, quite primero los 3 tornillos de la parte inferior (**I**). Después, quite los 3 tornillos de la parte superior (**J**). Desmonte el cristal.
2. Retire las juntas dañadas (interiores (**L**) y/o exteriores (**K**)). Limpie las ranuras de las juntas, aplique adhesivo nuevo y presione las juntas nuevas una vez colocadas en su posición.

8.0 Problemas de funcionamiento: solución de problemas

Poco tiro

1. Compruebe la longitud de la chimenea y que cumple los requisitos y normativas nacionales. (Consulte también la información de la secciones «**2.0 Información técnica**» y «**4.0 Instalación**» (**Chimenea y tubo de humos**).
2. Compruebe que la sección transversal mínima de la chimenea corresponde a lo indicado en la sección «**2.0 Información técnica**».
3. Cerciórese que no hay ningún obstáculo que impida el escape de los gases: ramas, árboles, etc.
4. Si sospecha que el tiro de la chimenea es excesivo o escaso, solicite ayuda profesional para su medición y ajuste.

La llama se extingue transcurrido un tiempo

1. Asegúrese de que la leña está suficientemente seca.
2. Averigüe si existe presión negativa en la vivienda, apague los sistemas de ventilación mecánicos y abra una ventana cercana a la estufa.
3. Compruebe que el respiradero está abierto.
4. Compruebe que la toma de la salida de humos no está obstruida con hollín.

Se acumula una cantidad anormal de hollín en el cristal

Siempre se adherirá algo de hollín al cristal, pero la cantidad depende de:

- Humedad del combustible.
- Las condiciones de tiro locales.
- Apertura del respiradero de ventilación.

La mayor parte del hollín se suele quemar cuando se abre completamente el respiradero de ventilación y arde un fuego vivo en la estufa. (Consulte la sección «**6.1 Limpieza del cristal - un buen consejo!**».)

9.0 Equipo opcional

10.1 Conjunto giratorio

Conjunto giratorio para Jøtul F 363 Advance, - nº de catálogo 51050989.

9.2 Puerta de hierro fundido para base (Jøtul F 361 Advance)

Pintura negra - nº de catálogo 51050944

9.3 High Top

N.º cat. 51040934

9.4 Sistema de almacenaje de calor

N.º cat. 10026701

9.5 Kit de conexión para aire exterior, Ø 100 mm

N.º art. 51012164

9.6 Placa superior de esteatita

N.º art. 22052834, BP

10.0 Reciclaje

10.1 Reciclaje del embalaje

- Su estufa se entrega con el siguiente embalaje:
- Un palé de madera que puede cortarse y quemarse en la estufa.
- Embalaje de cartón que debe llevarse a un punto de reciclaje local.
- Bolsas de plástico que deben llevarse a un punto de reciclaje local.

10.2 Reciclaje de la estufa

La estufa se compone de:

- Metal que debe llevarse a un punto de reciclaje local.
- Cristal que debe desecharse como un residuo peligroso. El cristal de la estufa no debe depositarse en un contenedor de separación convencional.
- Placas de combustión de vermiculita que pueden desecharse en contenedores de desechos convencionales.

11.0 Términos de la Garantía

1. Nuestra garantía cubre:

Jøtul AS garantiza que las partes exteriores de hierro fundido están libres de defecto en materiales o fabricación en el momento de la compra. Usted puede extender esta garantía sobre las piezas exteriores de fundición hasta 25 años desde la fecha de entrega del producto registrándolo en jotul.com, e imprimiendo la tarjeta de ampliación de la garantía en un plazo de tres meses a contar desde la fecha de compra. Recomendamos conservar la tarjeta de garantía junto con el justificante de compra. Jøtul AS también garantiza que las piezas de acero están libres de defectos de material o fabricación en el momento de la compra y durante un período de 5 años a partir de la fecha de entrega.

La garantía solamente tendrá validez si la instalación de la estufa se encarga a un instalador cualificado y se realiza con arreglo a la normativa en vigor y siguiendo las instrucciones de instalación y funcionamiento de Jøtul. Los productos reparados y las piezas sustituidas estarán garantizados durante el tiempo que quede de la garantía original.

2. La garantía no cubre:

- 2.1. Los daños en las piezas de desgaste, como placas de combustión, rejillas, deflectores de humos, juntas y similares, puesto que se deterioran con el tiempo debido al uso normal.
- 2.2. Los daños derivados de un mantenimiento inadecuado, sobrecalentamiento o uso de combustibles inadecuados (ejemplos de combustible inadecuado son entre otros: restos de madera extraídos del mar, madera impregnada, recortes de tablas, aglomerado, etc.) o de leña demasiado húmeda
- 2.3. La instalación de accesorios opcionales que rectifiquen el tiro, el suministro de aire u otras circunstancias fuera del control de Jøtul.
- 2.4. Casos derivados de alteraciones o modificaciones de la estufa efectuadas sin el consentimiento de Jøtul, o el uso de piezas no originales.
- 2.5. Daños producidos en el almacén de un distribuidor, en el transporte posterior o durante la instalación
- 2.6. Productos vendidos por distribuidores no autorizados en zonas donde Jøtul opera según distribución selectiva
- 2.7. Costes asociados (por ejemplo, pero no solo, transporte, mano de obra, gastos de viaje) o daños indirectos

Las estufas de pellets, cristal, piedra, hormigón, acabados de pintura y esmalte (por ejemplo, pero no solo golpes, grietas, burbujas, decoloramiento, etc) están sujetos a la legislación nacional de consumo aplicable. Esta garantía es válida para compras realizadas dentro del territorio del Espacio Económico Europeo. Todas las reclamaciones de garantía se tramitarán a través de su distribuidor autorizado Jøtul local en un plazo razonable de tiempo que no excederá de 14 días respecto a la fecha en la que se detecte la falta o defecto por primera vez. Consulte la lista de importadores y distribuidores en nuestra página web www.jotul.com

Si Jøtul no pudiese cumplir con las obligaciones descritas en los términos de la garantía, se ofrecerá un producto alternativo de capacidad calorífica comparable

Jøtul se reserva el derecho a rechazar cualquier reposición de piezas si la garantía no se ha registrado online. Esta extensión de garantía únicamente añade coberturas, y no disminuye en medida alguna los derechos del consumidor y las garantías establecidas por la ley. Los derechos de garantía nacional empezarán a contar desde la fecha de compra y solamente podrán ejercerse previa presentación del justificante de compra/número de serie.

ITALIANO

Indice generale

1.0 Conformità alle leggi	66
2.0 Dati tecnici	66
3.0 Sicurezza	67
4.0 Installazione	71
5.0 Utilizzo giornaliero	80
6.0 Manutenzione	81
7.0 Assistenza	81
8.0 Risoluzione dei problemi	84
9.0 Accessori opzionali	85
10.0 Riciclaggio	85
11.0 Garanzia	85

Registrare il proprio caminetto sul sito jotul.com per una garanzia di 25 anni.

Product: Jøtul Room heater fired by solid fuel				CE
Standard Minimum distance to adjacent combustible materials: Minimum distance to adjacent non-combustible materials: Emission of CO in combustion products: Flue gas temperature: Nominal heat output: Efficiency: Operation range: Fuel type: Operational type: The appliance can be used in a shared flue.				
Country	Classification	Certificate/standard	Approved by	
Norway	Klasse II			
Sweden	osc	sp	SP-Sveriges Provnings- och Forskningsinstitut AB	
EUR	intermittent	EN	SP-Swedish National Testing and Research Institute	
Follow user's instructions. Use only recommended fuels. Montage- und Bedienungsanleitung beachten. Verwenden Sie nur empfohlenen Brennstoffe. Respectez les consignes d'utilisation. Utilisez uniquement les combustibles recommandés.				
Serial no. Y-xxxx, Year: 200x				
Manufacturer: Jøtul AS POB 1441 N-1602 Fredrikstad Norway				221546

Su tutti i nostri prodotti è applicata un'etichetta che indica il numero di serie e l'anno. Annotare questo numero dove indicato nelle istruzioni di installazione. Citare sempre questo numero di serie quando ci si rivolge al rivenditore o a Jøtul.

Serial no.

1.0 Conformità alle leggi

L'installazione di una stufa deve essere eseguita in conformità alle leggi e alle norme locali di ogni paese.

L'installazione del prodotto deve essere conforme a tutte le norme locali, incluse quelle che fanno riferimento a direttive europee o specifiche del paese.

L'installazione può essere effettuata solo dopo un'accurata ispezione da parte di personale qualificato.

Sul prodotto è applicata una targhetta, realizzata in materiale termoresistente e contenente dati e informazioni sull'identificazione del prodotto.

2.0 Dati tecnici

Materiale:	Ghisa
Rivestimento esterno:	Vernice nera
Combustibile:	Legna
Lunghezza massima dei ceppi:	33 cm
Scarico fumi:	Superiore, posteriore
Dimensioni condotto dei fumi:	Ø150 mm
Circolazione dell'aria:	Ø 100 mm

Peso:

- Jøtul F 361 Advance:	172 kg
Jøtul F 361 Advance + HT:	201 kg
Jøtul F 361 Advance + HT + sistema di stoccaggio del calore:	251 kg
- Jøtul F 363 Advance:	164 kg
- Jøtul F 368 Advance:	179 kg
Jøtul F 368 Advance + HT:	208 kg
Jøtul F 368 Advance + HT + sistema di stoccaggio del calore:	258 kg

Accessori opzionali: Inserto rotante (Jøtul F 363 Advance), porta per vano porta legna in ghisa, sistema di stoccaggio del calore, circolazione dell'aria.

Dimensioni, distanze: vedere **fig. 1**

Dati tecnici conformi alla norma EN 13240/NS 3058

Potenza termica nominale:	6,0 kW
Volume dei fumi:	6,3 g/s
Tiraggio della canna fumaria, EN 13240:	12 Pa
Pressione negativa raccomandata nello scarico fumi:	14-16 Pa
Efficienza:	78% a 6,8 kW
Emissioni di CO (13% O ₂):	0.06%
Emissioni di CO (13% O ₂):	731 mg/Nm ³
NOx a 13% O ₂ :	93 mg/Nm ³
Idrocarburi a 13 % O ₂ :	45 mg/Nm ³
Temperatura della canna fumaria, EN 13240:	275 °C
Polvere:	<5 mg/Nm ³ a 13%O ₂
Consumo dell'aria:	5,2 litro/sec o 22 m ³ /h
Emissioni di particelle NS 3059:	2,9 g / kg

Tipo di combustibile:	Legna
Lunghezza massima ceppi:	33 cm
Consumo di combustibile:	2,1 kg/h
Quantità max di fascine:	2,0 kg
Quantità nominale di fascine:	1,6 kg
Funzionamento:	Intermittente

Per combustione intermittente, in questo contesto, si intende il normale utilizzo del camino, ossia con aggiunta di combustibile non appena da quello precedente si è formata una quantità adeguata di braci.

3.0 Sicurezza

Nota: per garantire prestazioni e sicurezza ottimali, le stufe Jøtul devono essere montate da un installatore qualificato.

Qualunque modifica al prodotto da parte del distributore, installatore o consumatore può comportare un funzionamento imprevisto del prodotto e delle funzionalità di sicurezza. Lo stesso si applica all'installazione di accessori o di extra opzionali non forniti da Jøtul. Ciò può riguardare anche componenti essenziali per il funzionamento e la sicurezza del caminetto eventualmente smontati o rimossi.

In tutti i casi citati, il produttore non potrà essere ritenuto responsabile o punibile per il prodotto, rendendo nullo e non valido ogni reclamo.

3.1 Misure di prevenzione antincendio

Ogni utilizzo del caminetto ha in sé un certo elemento di pericolo. Pertanto, è necessario seguire attentamente le seguenti istruzioni:

- Le distanze minime di sicurezza in caso di utilizzo del caminetto sono fornite nella **fig. 1**.
- Assicurarsi che gli arredi e altri materiali infiammabili non siano troppo vicini al caminetto. I materiali infiammabili non devono mai essere posizionati entro 1100 mm dal caminetto.
- Attendere l'estinzione del fuoco. Non spegnere mai le fiamme con acqua.
- Il caminetto acceso diventa caldo e può causare bruciate se toccato.
- Rimuovere la cenere solo con il caminetto freddo. La cenere può contenere braci calde, pertanto deve essere collocata in un contenitore ignifugo.
- La cenere deve essere collocata all'esterno o svuotata in un luogo in cui non rappresenterà un pericolo potenziale di incendio.

In caso di incendio della canna fumaria

- Chiudere tutte le aperture e le prese d'aria.
- Tenere chiusa la porta del camino.
- Verificare la presenza di fumo in cantina e in soffitta.
- Chiamare i vigili del fuoco.
- Prima di utilizzare di nuovo il camino e la canna fumaria dopo un incendio, è necessario che vengano controllati da un tecnico specializzato che ne assicuri l'integrità e il corretto funzionamento.

3.2 Pavimento

Basamento

È importante accertarsi che le dimensioni dei basamenti siano adatte al camino. Cf. «**2.0 Dati tecnici**» per le specifiche sul peso. Durante l'installazione, si consiglia di rimuovere la pavimentazione non fissata al sottofondo (pavimento antivibrante).

Requisiti per la protezione del pavimento di legno

Jøtul F 360 Advance Series è dotato di uno scudo termico che protegge il pavimento dal calore. **Il prodotto è dotato di una protezione aggiuntiva per il pavimento pertanto può essere direttamente appoggiato sul pavimento anche se di legno.**

Requisiti per la protezione di pavimento infiammabile davanti alla stufa. Jøtul raccomanda di rimuovere eventuali materiali infiammabili come: linoleum, moquette, ecc. da sotto la pedana di protezione del pavimento.

La piastra anteriore deve essere conforme alle leggi e alle norme nazionali.

Contattare le autorità edili locali in relazione alle disposizioni e ai requisiti di installazione.

3.3 Pareti

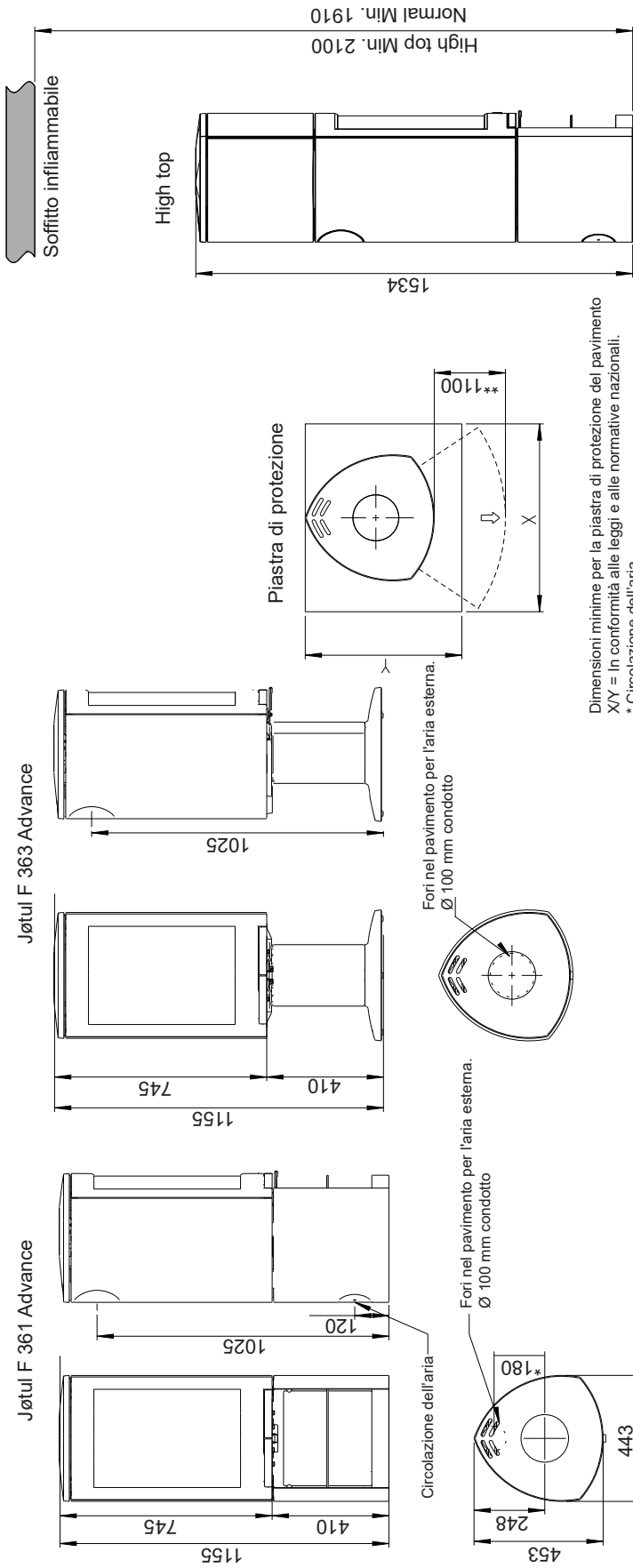
Distanza da pareti di materiale infiammabile

È consentito l'utilizzo con condotti del fumo non isolanti con la distanza dalla parete di materiale infiammabile descritta nella **fig. 1**.

3.4 Soffitto

La distanza minima tra la stufa e il soffitto in materiale infiammabile deve essere almeno di **750 mm**.

Fig. 1A



Parete combustibile

Distanza dalla parete combustibile con piedistallo girevole

Distanza minima dalla parete combustibile

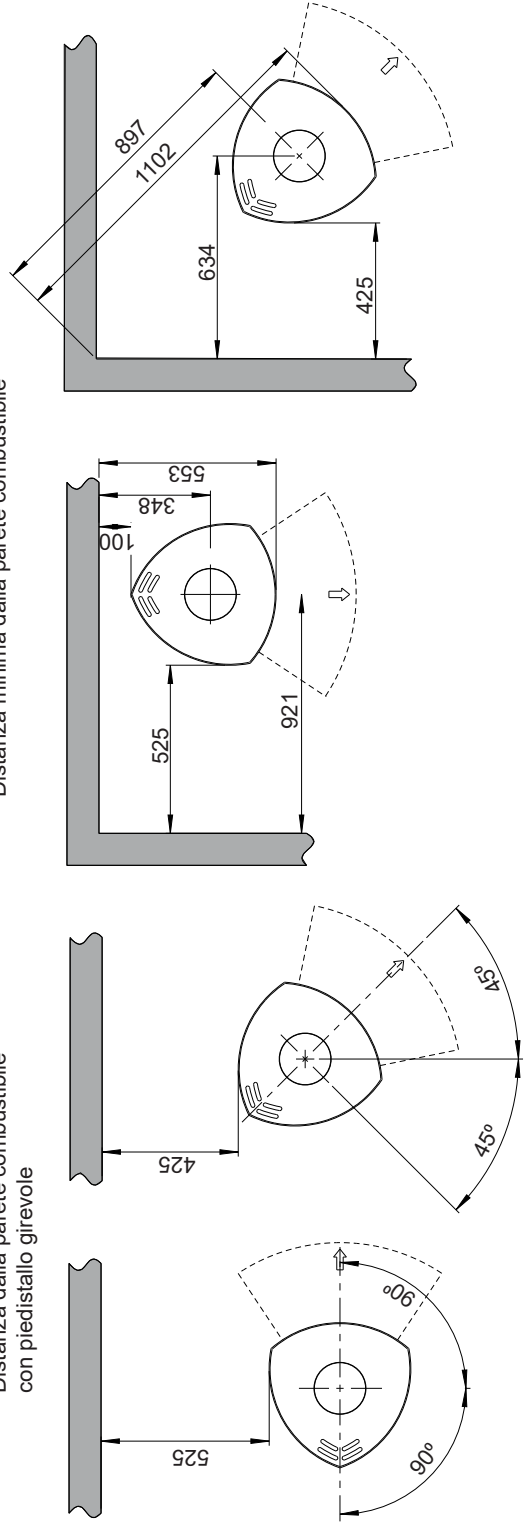
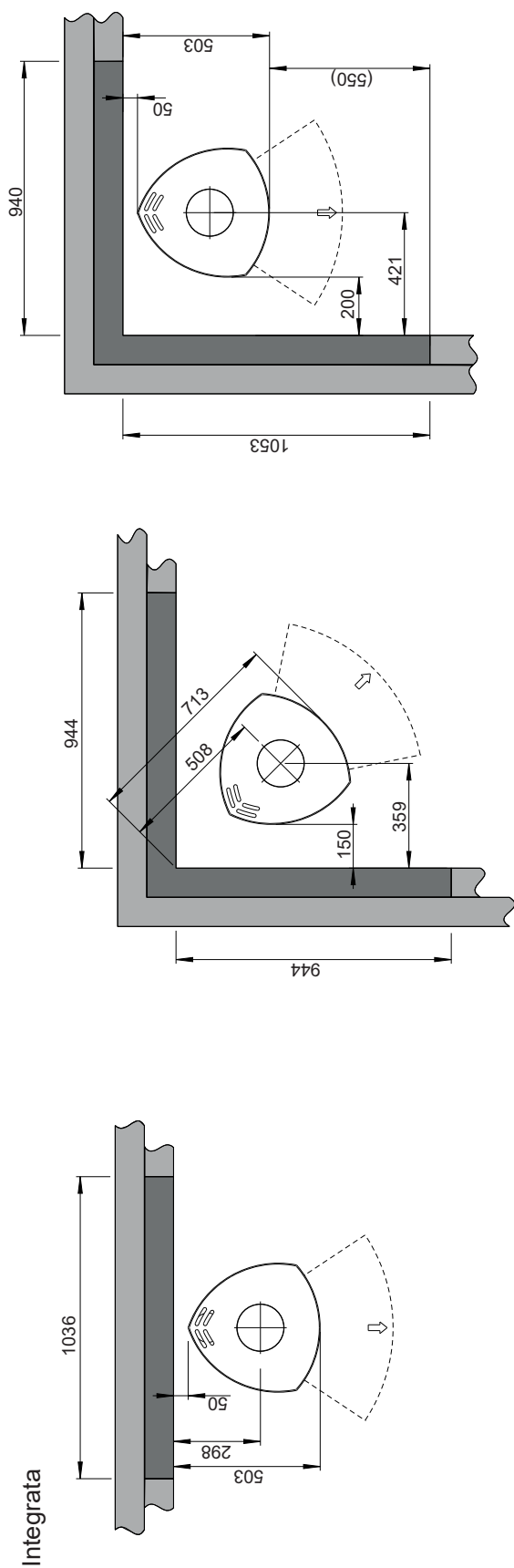
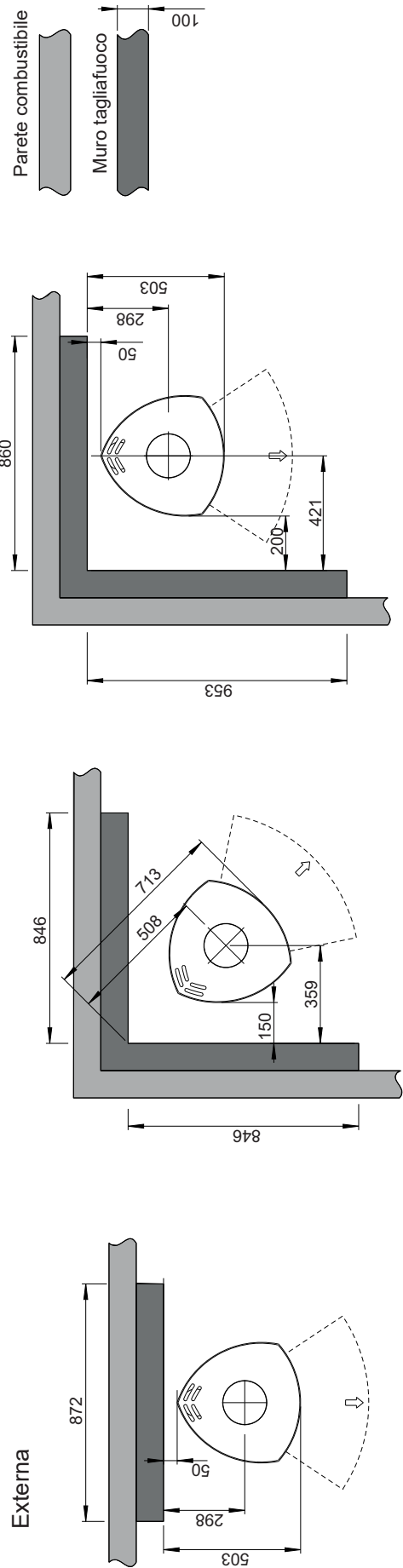


Fig. 1B

Jøtul F 360 Advance Distanza minima dalla muro tagliafuoco



ITALIANO

Circolazione dell'aria fresca

L'aria utilizzata per la combustione in qualsiasi abitazione ben isolata deve essere sostituita. Ciò è particolarmente importante nelle abitazioni con ventilazione meccanica. È possibile procurare tale aria sostitutiva in vari modi. L'aspetto più importante è fornire l'aria nell'ambiente in cui è situata la stufa. Posizionare la valvola della parete esterna più vicino possibile alla stufa e assicurarsi che possa essere chiusa quando la stufa non è in uso.

Per il collegamento della circolazione dell'aria fresca, attenersi ai regolamenti edilizi nazionali e locali.

Verificare che le prese d'aria presenti nel locale in cui si trova la camino non siano ostruite.

Sistema di combustione chiuso

Utilizzare il sistema di combustione chiuso della stufa se l'abitazione è a tenuta d'aria e di recente costruzione. Collegare l'aria di combustione esterna attraverso un condotto di ventilazione attraverso la parete o il pavimento.

Circolazione dell'aria

Il quantitativo di aria di combustione per i prodotti Jøtul è di circa 20-40 m³/h.

Il condotto per l'aria esterna può essere inserito direttamente in Jøtul F 360 Advance Series attraverso:

- il fondo
- attraverso un tubo flessibile di circolazione dell'aria dall'esterno/dalla canna fumaria (solo se la canna fumaria presenta un proprio condotto per l'aria esterna) diretto al connettore dell'aria esterna del prodotto.

Fig. 2A, attraverso una parete esterna

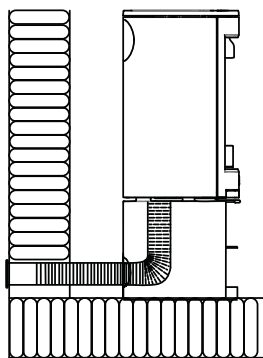


Fig. 2B, attraverso il pavimento e la piastra di terra

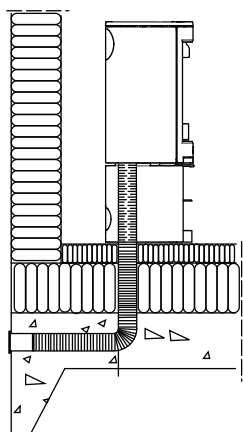


Fig. 2C, attraverso il pavimento e il basamento

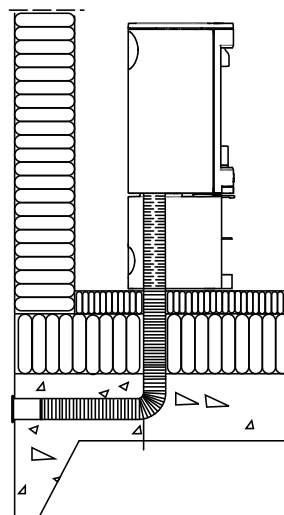
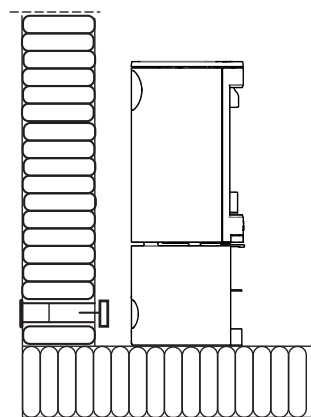


Fig. 2D, indirettamente attraverso una parete esterna



4.0 Installazione

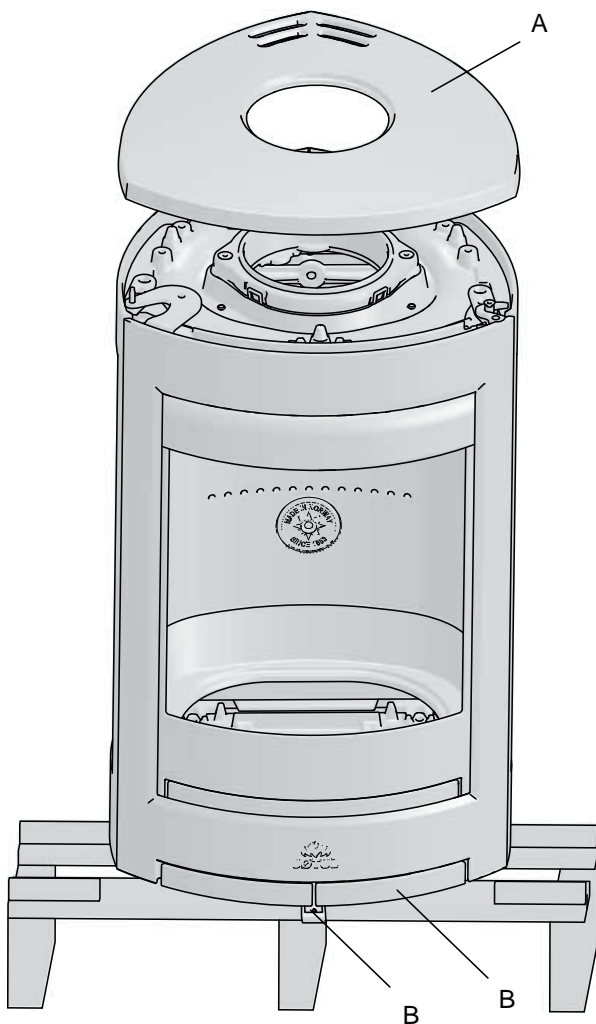
- Prima dell'installazione del camino, verificare attentamente l'assenza di eventuali segni di danneggiamento.
- Il prodotto è pesante! Chiedere aiuto a qualcuno in fase di posizionamento e installazione.
- **Assicurarsi che mobili e altri articoli domestici si trovino a distanza di sicurezza dal caminetto, per proteggerli dall'essiccazione.**

4.1 Prima dell'installazione

Il prodotto standard viene consegnato in due partite. Una contiene il caminetto in sé, l'altra la base o il piedistallo in ghisa.

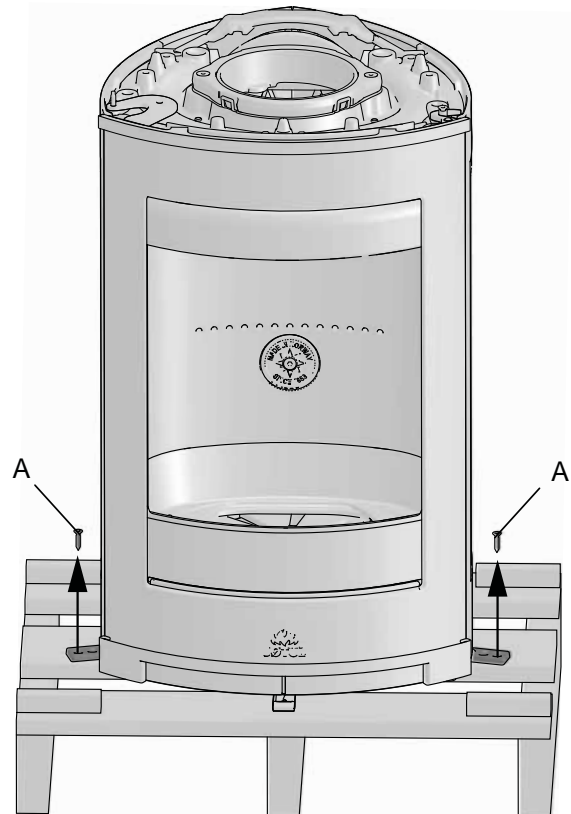
Una volta disimballato il prodotto, estrarre il ceneraio e il relativo contenuto, la grata del fuoco, le piastre refrattarie, il parafiamma e il deflettore di aspirazione. Vedere la **Fig. 20, 21, 33 e 34**.

Fig. 3



1. Rimuovere la piastra superiore (A).
2. Controllare che le manopole di regolazione (B) si muovano liberamente.

Fig. 4

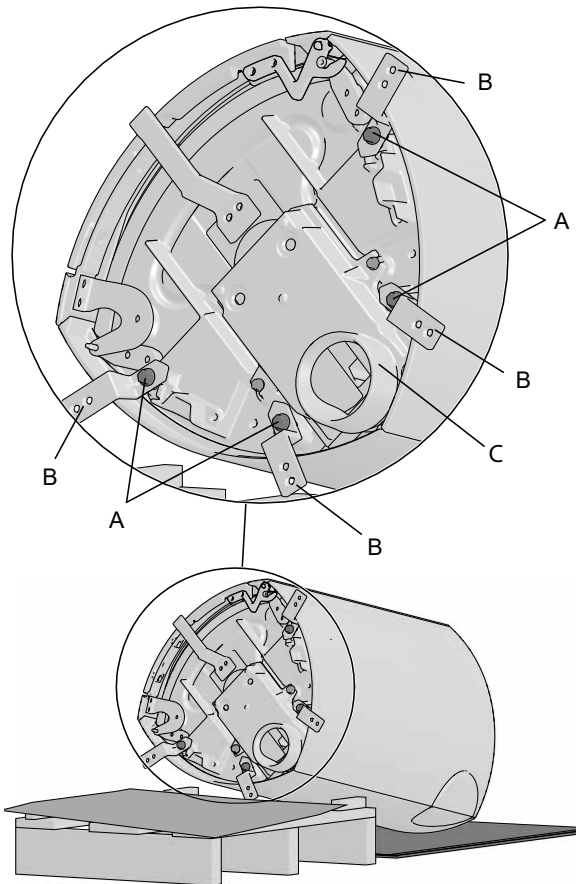


3. Rimuovere le 4 viti di trasporto (A) dai lati e dal retro.

4.2 Installazione

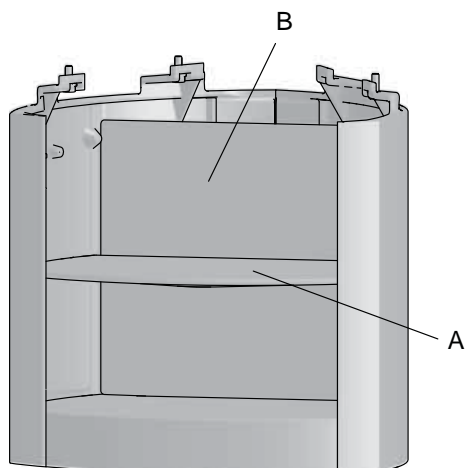
Jøtul F 361 Advance, con base

Fig. 5



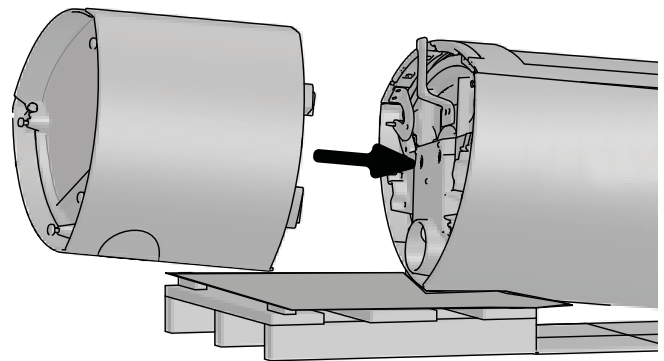
4. Aprire l'imballaggio in cartone sul pavimento. Posizionare l'imballaggio in cartone sul pallet per proteggere la verniciatura. Collocare con cautela la camera di combustione sul pallet in senso laterale.
5. Svitare le viti (A) e rimuovere le staffe (B). Utilizzare due delle viti se si sceglie di installare la stufa con piedistallo centrale (Jøtul F 373).
6. Se si utilizza l'alimentazione dell'aria esterna attraverso il pavimento, è necessario ruotare prima la presa dell'aria (C) esterna (vedere fig. 15.A).

Fig. 6



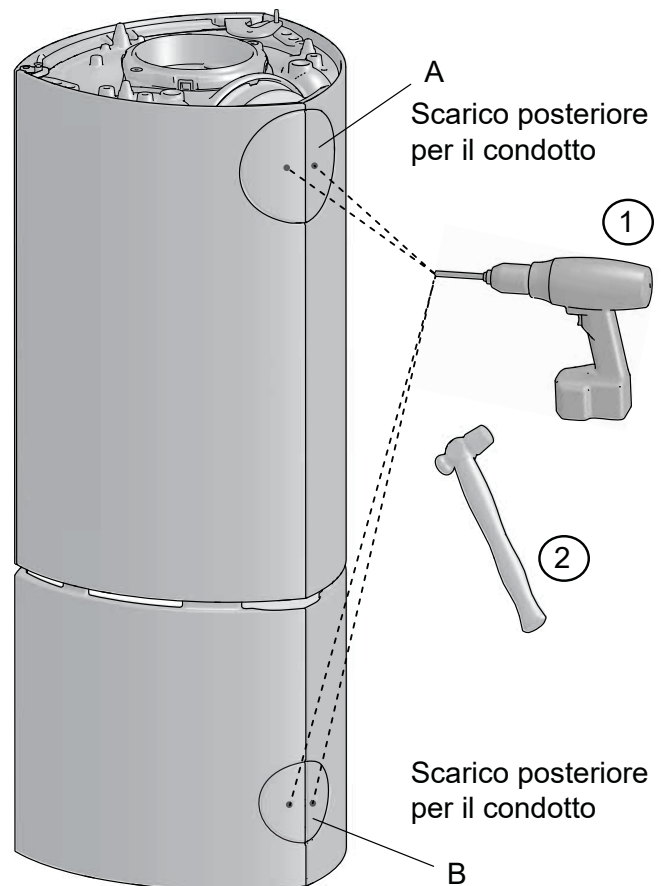
1. Prima di installare la base sulla camera di combustione, rimuovere la piastra sporgente (A) e la piastra posteriore (B) dall'interno della base.

Fig. 6b



2. Fissare la base alla camera di combustione usando le viti (fig. 5 A) in dotazione

Fig. 7



Scarico posteriore per il condotto

1. Praticare dei fori nel coperchio rimovibile (A) per lo scarico fumi. Poi battere il coperchio con un martello per estrarlo.

Scarico posteriore per alimentazione dell'aria esterna (accessorio opzionale)

2. Se è necessario montare un condotto per l'aria esterna sullo scarico posteriore (B) nella base, praticare prima dei fori nel coperchio rimovibile, poi battere il pannello per estrarlo con un martello. **NOTA:** Se si utilizza l'alimentazione dell'aria esterna attraverso il pavimento della base, **non battere** il coperchio per estrarlo.

Jøtul F 361 HT Advance - con base e High Top



Consultare le istruzioni per High Top - codice art.10050932

Jøtul F 368 Advance - con base e porta in ghisa



Consultare le istruzioni per High Top - codice art.10050932

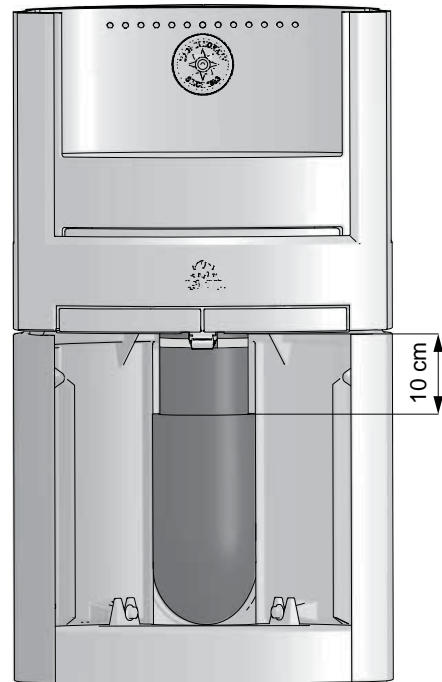
Consultare le istruzioni per porta in ghisa - codice art.10051081

4.3 Montaggio con alimentazione dell'aria esterna (accessorio opzionale)

Jøtul F 361, scarico posteriore

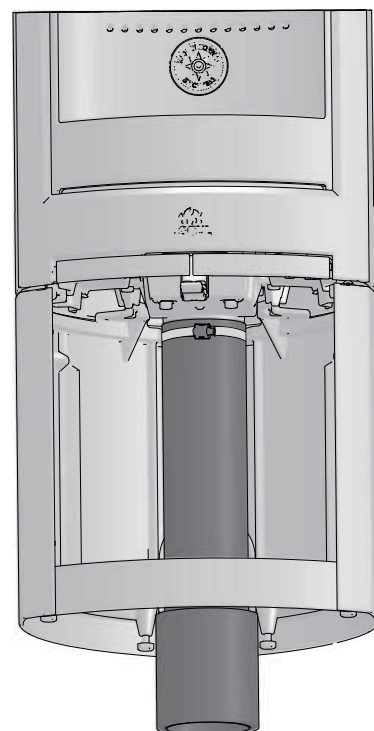
Se deve essere montata un'alimentazione dell'aria esterna, consultare le istruzioni di montaggio in dotazione con il kit dell'aria esterna.

Fig. 8



Jøtul F 361, condotto per l'aria esterna attraverso il pavimento

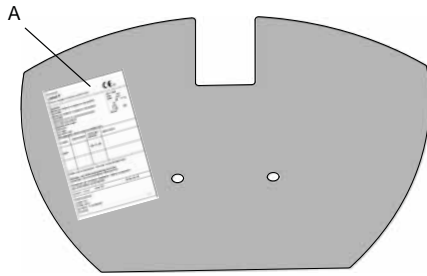
Fig. 9



ITALIANO

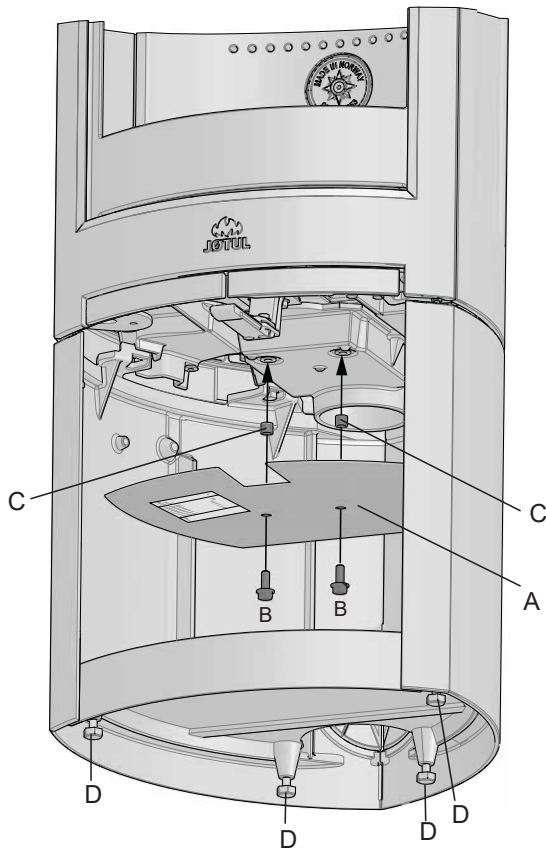
4.4 Posizione dell'etichetta di conformità

Fig. 10



1. Montare l'etichetta di conformità, situata all'interno del ceneraio, sul lato inferiore dello scudo termico della camera di combustione. (Quest'etichetta è importante per la conformità del prodotto).

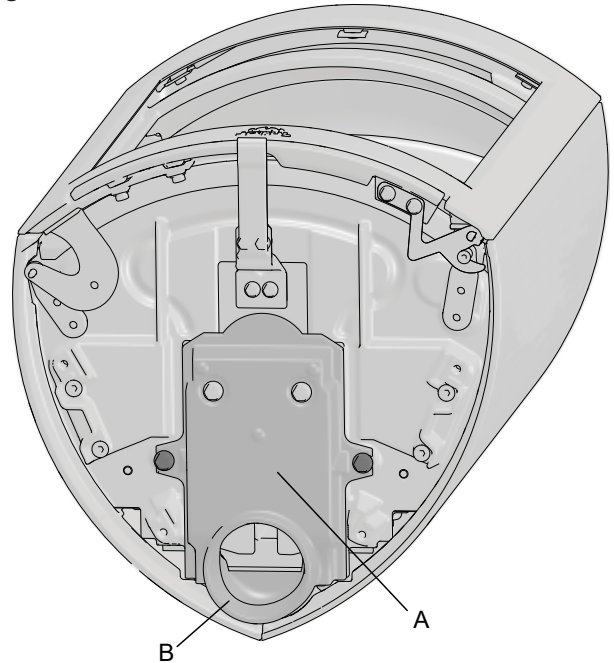
Fig. 11



1. Collocare la piastra posteriore in posizione (A) nella base.
2. Fissare la piastra protettiva (A) usando la vite (B) e il cilindro (C) che trovate nel sacchetto in dotazione.
3. Livellare il prodotto servendosi delle 4 viti di regolazione (D).
NOTA: In caso di utilizzo di una piastra di protezione del pavimento in vetro (accessorio opzionale), la base deve essere sollevata di circa 8 mm dal pavimento, in modo da permettere di spingere la piastra di protezione sotto il bordo anteriore della base.
4. In caso di utilizzo dell'alimentazione dell'aria esterna, inserire il tubo flessibile nel foro della piastra inferiore e collegarlo allo scarico fumi con una fascetta stringitubo. Accertarsi che il tubo flessibile sia sufficientemente lungo per evitare il ricorso a giunti.

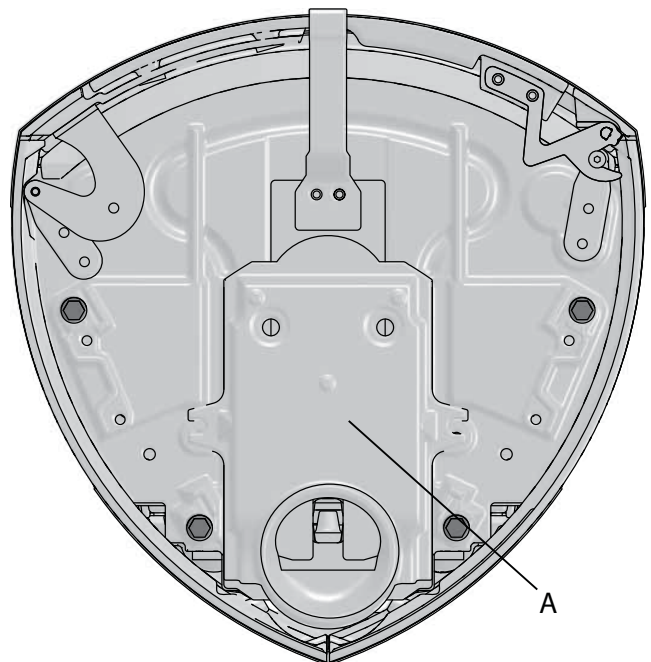
Jøtul F 363 Advance, con piedistallo

Fig. 12

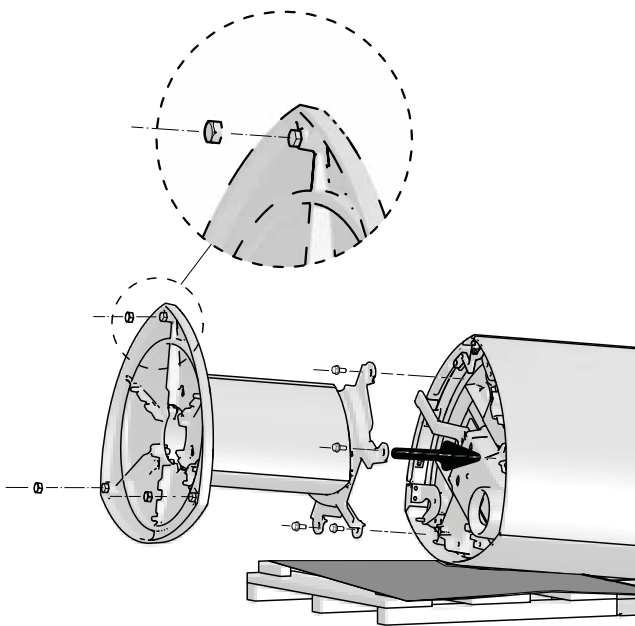


- Il coperchio dell'aria esterna (A) con apertura (B) è normalmente situato nella parte posteriore della camera di combustione.

Fig. 13



- NOTA:** Se si utilizza l'alimentazione dell'aria esterna attraverso il pavimento, è necessario ruotare prima la presa dell'aria esterna (fig. 15.A).

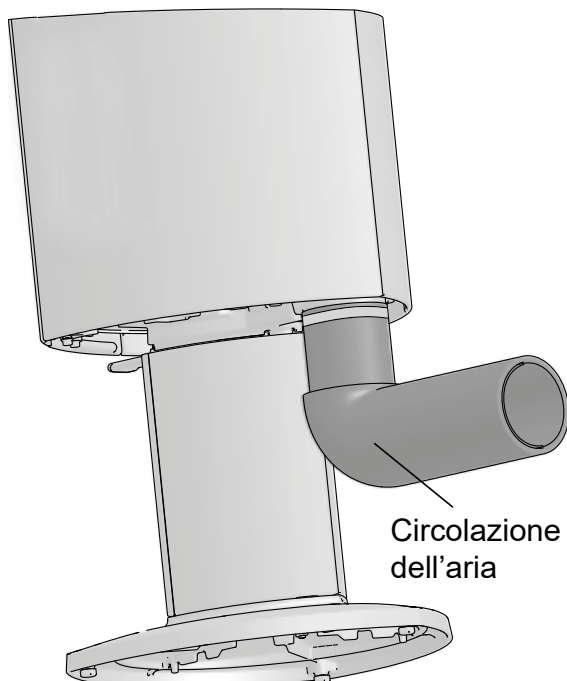


- Utilizzare le viti presenti nel sacchetto per fissare il piedistallo nella parte frontale alla camera di combustione. Nella parte posteriore usare le due viti che fissano le staffe.
- Sollevare il prodotto.

4.5 Montaggio con alimentazione dell'aria esterna (accessorio opzionale)

Jøtul F 363, scarico posteriore

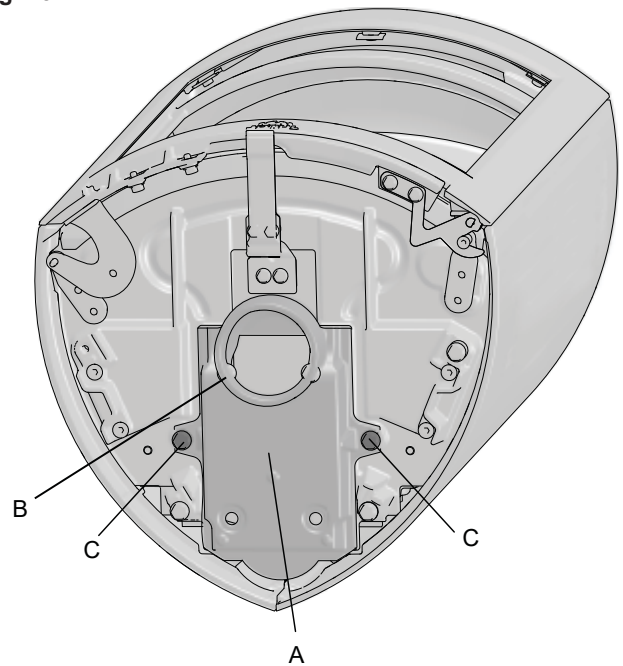
Fig. 14



Jøtul F 363, condotto per l'aria esterna attraverso il pavimento

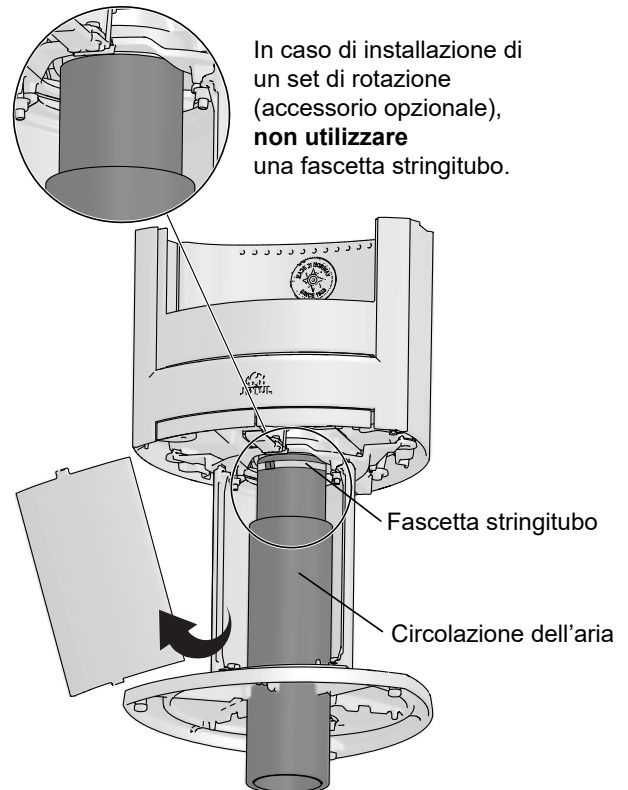
Se Jøtul F 363 deve essere montato con l'alimentazione dell'aria esterna attraverso il pavimento, è necessario ruotare prima la presa dell'aria esterna (A).

Fig. 15



1. Svitare le viti (C). Ruotare la presa dell'aria esterna in modo che l'apertura sia posizionata al centro

Fig. 16



2. Il kit dell'aria esterna è fissato alla presa dell'aria esterna sul lato inferiore della camera di combustione. **NOTA:** Se è necessario montare una piastra girevole, questa deve essere montata prima del sollevamento della stufa in posizione eretta. Vedere le istruzioni di montaggio incluse nel set di rotazione.

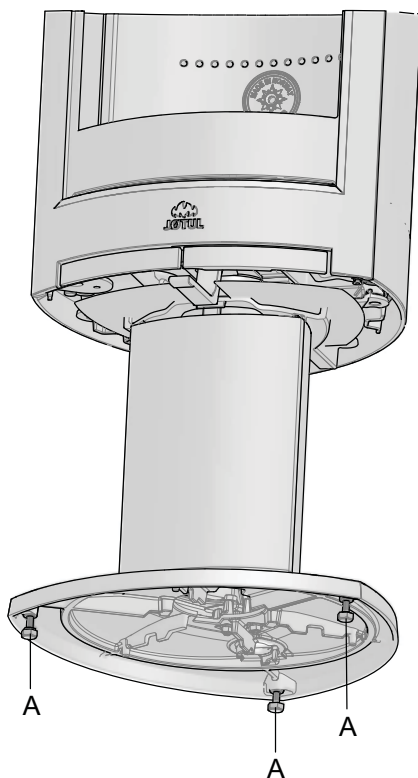
4.6 Posizione dell'etichetta di conformità

Fig. 17



3. Rimuovere la copertura anteriore dal piedistallo.
4. Applicare l'etichetta di conformità (A), situata all'interno del ceneraio, all'interno del coperchio anteriore. (Quest'etichetta è importante per la conformità del prodotto).

Fig. 18



5. Livellare il prodotto servendosi delle 3 viti di regolazione (A).
6. **NOTA:** In caso di utilizzo di una piastra di protezione del pavimento in vetro (n. cat. 50012994), il prodotto deve essere sollevato di circa 8-10 mm dal pavimento, utilizzando le 3 viti di regolazione.

4.7 Canna fumaria e condotto

- Il caminetto deve essere collegato solo a una canna fumaria e a un condotto approvati per caminetti a combustibile solido; le temperature dei gas prodotti dal fumo sono indicate nel capitolo "2.0 Dati tecnici".
- Il collegamento della canna fumaria deve essere realizzato in conformità alle istruzioni di installazione fornite dal produttore della stessa.
- Prima di praticare un foro nella canna fumaria, montare e posizionare provvisoriamente il prodotto, in modo da individuare la corretta posizione del caminetto e del foro sulla canna fumaria. Vedere la Fig. 1 per le dimensioni minime.
- Assicurarsi che sia possibile spazzare vicino allo scarico posteriore e allo scarico superiore. Se necessario, utilizzare un condotto di scarico fumi dotato di un portello.
- È estremamente importante che i collegamenti abbiano una certa flessibilità, questo per impedire ogni movimento in fase di installazione tale da causare la formazione di crepe.
- Per il tiraggio raccomandato della canna fumaria, consultare il capitolo "2.0 Dati tecnici". Per le dimensioni del condotto con la sezione trasversale rilevante, consultare il capitolo "2.0 Dati tecnici". **Nota: Il diametro della canna fumaria deve essere almeno delle stesse dimensioni del condotto.**

Nota: la lunghezza minima raccomandata della canna fumaria è 3,5 m dall'inserito del condotto. Se il tiraggio risulta eccessivo, installare una valvola di regolazione del tiraggio.

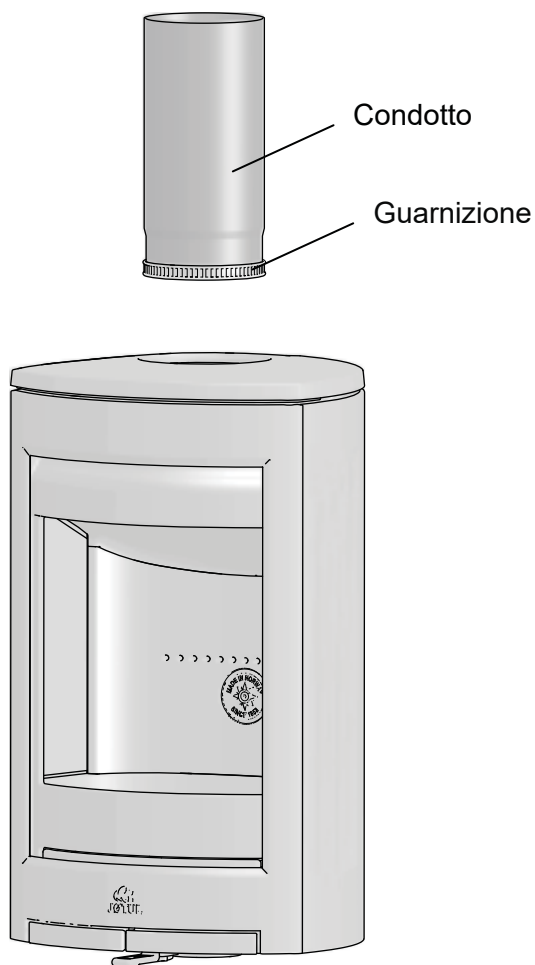
È particolarmente importante raggiungere la temperatura operativa il più rapidamente possibile nei giorni in cui il tiraggio della canna fumaria non è ideale a causa di condizioni di vento e clima sfavorevoli. Assicurarsi che il combustibile si accenda il più rapidamente possibile. Suggerimento pratico: Tagliare la legna in pezzi molto più piccoli e utilizzare un'esca per il fuoco aggiuntiva.

Nota: Se la stufa non è stata utilizzata per diverso tempo, è importante verificare l'assenza di eventuali ostruzioni nel tubo della canna fumaria.

Montaggio di un condotto con scarico superiore

Il prodotto è montato di fabbrica per uno scarico superiore.

Fig. 19



7. Inserire la guarnizione sull'estremità inferiore del condotto di scarico fumi.
8. Inserire il condotto di scarico fumi nella piastra superiore

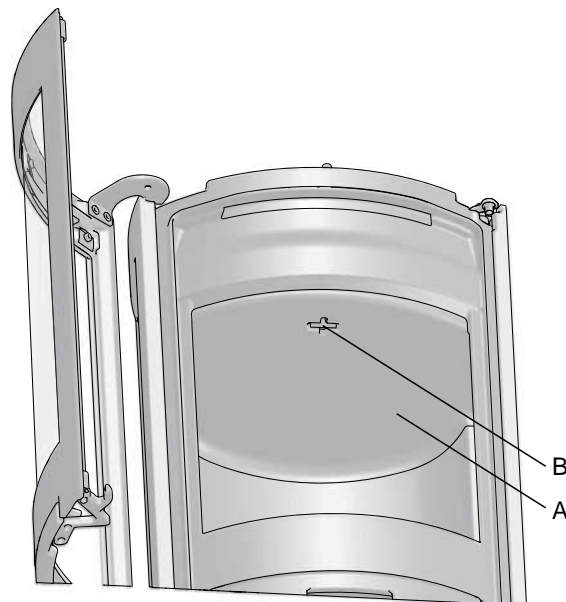
Montaggio di un condotto con scarico posteriore

Il prodotto è montato di fabbrica con lo scarico fumi montato per uno scarico superiore. Se si desidera posizionare uno scarico posteriore, procedere nel modo seguente:

- Posizionare correttamente il prodotto (vedere fig. 1).

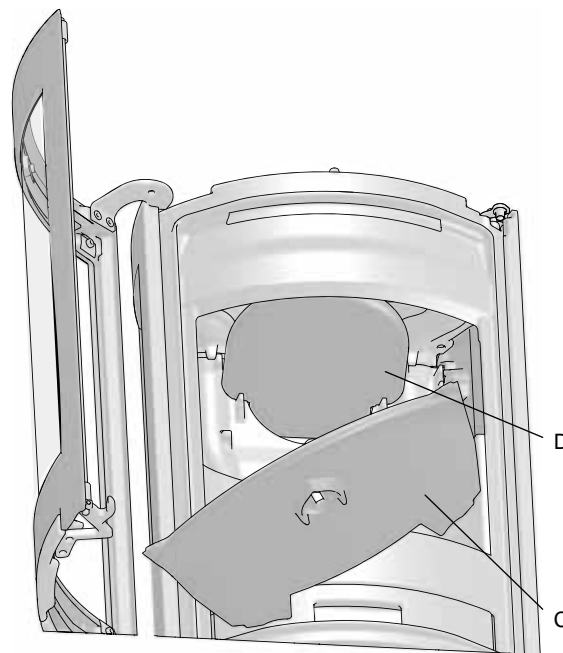
Il primo passaggio per il cambio di uno scarico superiore con uno scarico posteriore è la rimozione del parafiamma e dei deflettori di aspirazione all'interno della camera di combustione.

Fig. 20



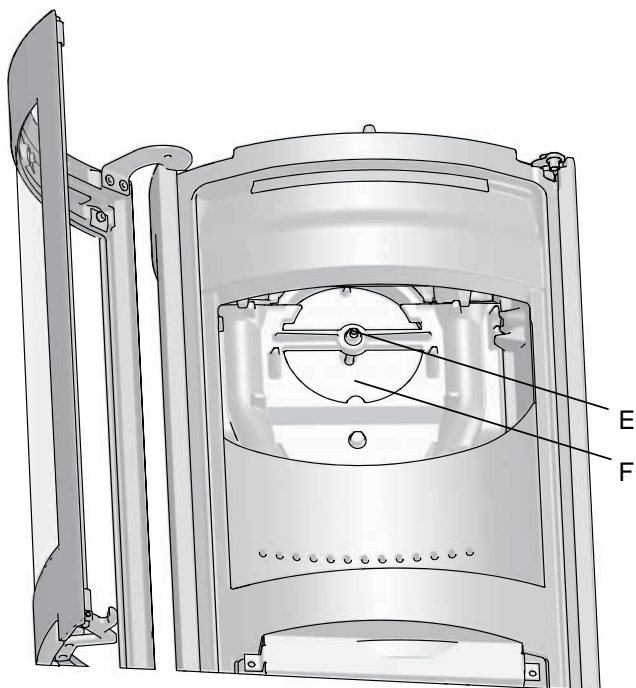
1. Sollevare il parafiamma, ruotare la chiave (B) di 90° nel parafiamma (A) e poi rimuoverla.
2. Sollevare il bordo posteriore del parafiamma (A) ed estrarlo inclinandolo.

Fig. 21



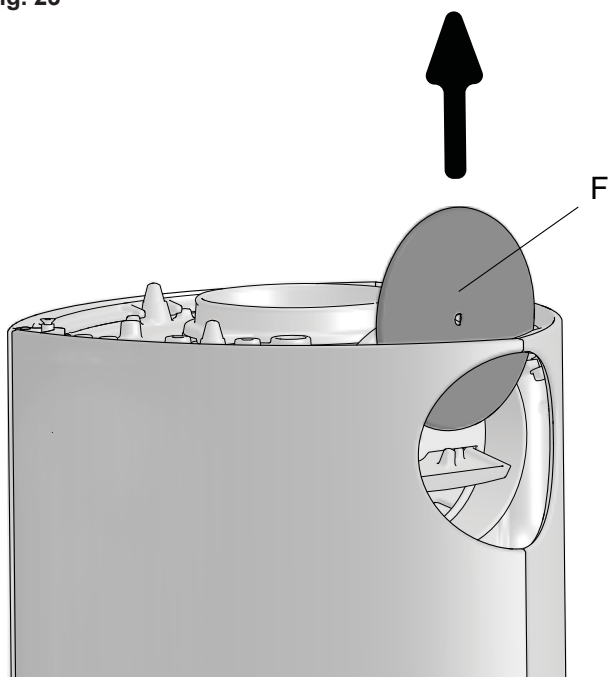
3. Sollevare il bordo posteriore del deflettore di aspirazione inferiore (C) ed estrarlo inclinandolo.
4. Poi rimuovere il deflettore di aspirazione superiore (D).

Fig. 22



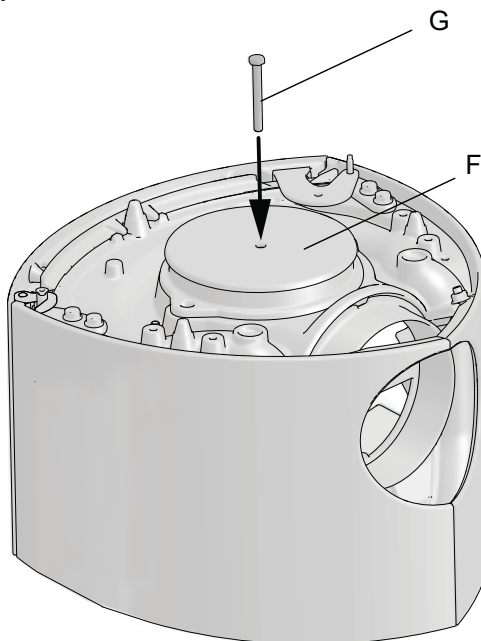
5. Svitare la vite (E) che fissa in posizione il coperchio (F).

Fig. 23



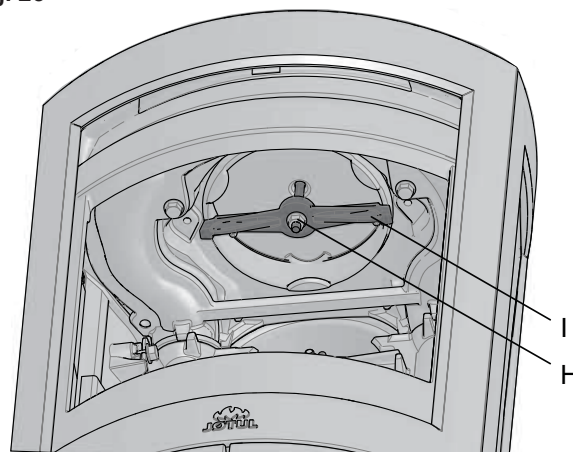
6. Sollevare il coperchio (F).

Fig. 24



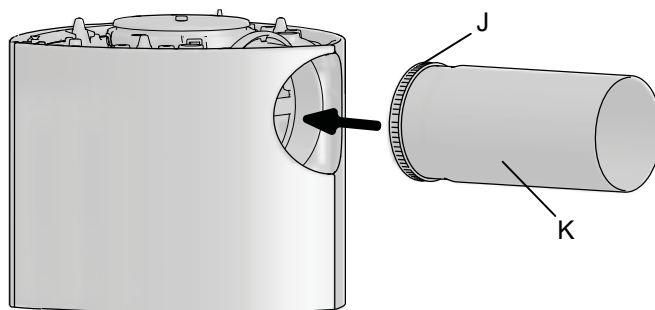
7. Posizionare il coperchio dallo scarico posteriore in quello superiore e avvitare in posizione

Fig. 25



8. Fissare la traversa (I) del ceneraio alla vite (G) con il dado (H).

Fig. 26



9. Posizionare la guarnizione (J) sul bordo del condotto di scarico fumi (K).

10. Inserire il condotto nello scarico fumi.

11. Riposizionare la piastra superiore e il coperchio.

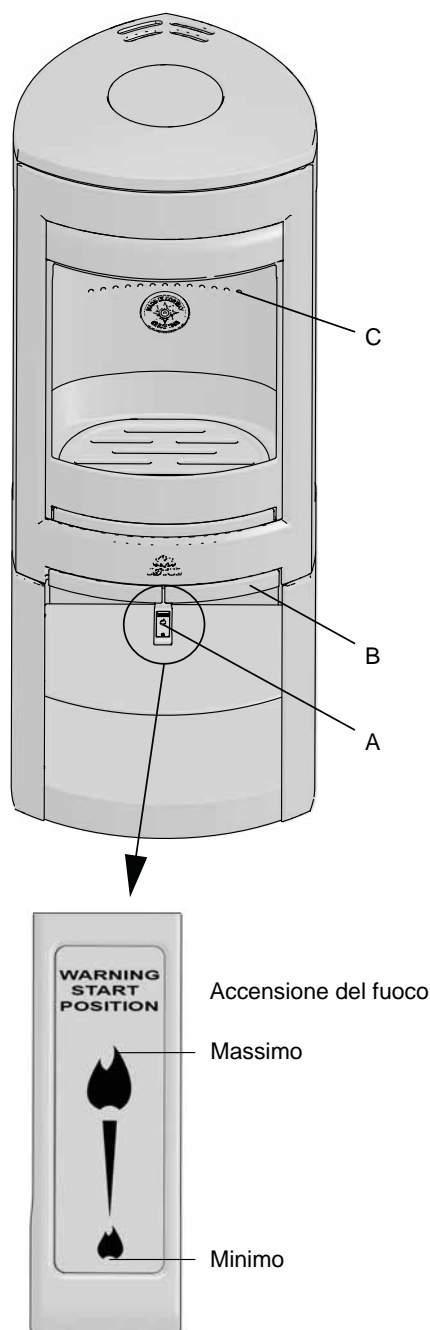
NOTA: È importante che tutti i giunti/condotti siano completamente sigillati. Eventuali fuoriuscite d'aria potrebbero impedirne il corretto funzionamento.

4.8 Controllo delle prestazioni

Una volta assemblato il prodotto, controllare sempre le manopole di comando. Devono muoversi facilmente e funzionare in modo soddisfacente.

Jøtul F 360 Advance è dotato delle seguenti opzioni di funzionamento:

Fig. 27



Presca d'aria e di accensione (A)

Spinta all'interno: chiusa
Estratta completamente: aperta

Maniglia della porta (B):

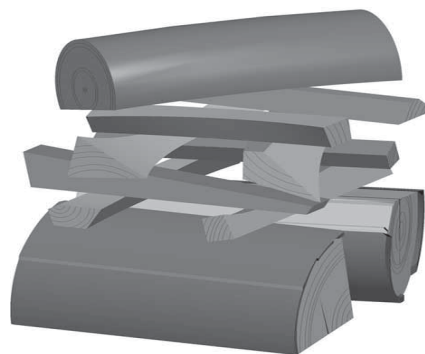
Aprire tirando la maniglia in fuori.

Altezza di impilaggio (C) per i ceppi (*i fori non devono essere coperti*).

4.9 Accensione iniziale

- Aprire la presa d'aria spostandola tutta a destra / la valvola di accensione estraendo completamente la maniglia (A). Se necessario, tenere leggermente aperta la porta. (quando la maniglia è calda è opportuno utilizzare un guanto).
- Collocare due ceppi di medie dimensioni su ciascun lato della base (fig. 28). **N.B.** Al fine di evitare che il vetro si copra di fuliggine, è importante che i ciocchi non vengano sistemati in prossimità del vetro sul prodotto.
- Sistemare tra la legna dei fogli di giornale appallottolati oppure dei trucioli, aggiungervi alcune fascine disposte a incrocio e accendere i fogli di giornale.
- Aumentare gradualmente la fiamma facendo in modo che la legna non superi i fori orizzontali sul retro della piastra di combustione. Vedere Fig. 27 C.
- Controllare che si sia verificata la combustione secondaria. Ciò viene indicato dalla presenza di fiamme gialle e sfarfallanti sotto al parafiamma.
- Regolare la presa d'aria superiore in modo da ottenere il tasso di combustione per il livello di riscaldamento desiderato (A).
- Chiudere la porta della stufa. Deve sempre essere chiusa quando si accende il fuoco.

Fig. 28



Aggiunta della legna

Alimentare frequentemente la stufa, aggiungendo solo piccoli quantitativi di combustibile alla volta. Se la stufa è troppo piena, il calore creato potrebbe causare sollecitazioni estreme della canna fumaria. Aggiungere con moderazione il combustibile al fuoco. Evitare i fuochi che bruciano senza fiamme, dato che ciò produrrà il massimo inquinamento. Un fuoco ottimale si ottiene con una buona bruciatura e un fumo in uscita dalla canna fumaria quasi invisibile.

Pericolo di surriscaldamento

Il caminetto non deve mai essere utilizzato in modo tale da causare surriscaldamento

Il surriscaldamento si verifica in presenza di un eccesso di combustibile e/o di aria, causando un calore eccessivo. Un segno evidente di surriscaldamento è la presenza di un bagliore rosso in alcune parti del caminetto. Se ciò dovesse accadere, ridurre immediatamente l'apertura della presa d'aria.

Consultare un professionista se si sospetta che la canna fumaria non presenti un tiraggio corretto (tiraggio eccessivo o scarso). Per ulteriori informazioni, consultare il capitolo "4.0 Installazione" (Canna fumaria e condotto).

Condensa

Può capitare di riscontrare fenomeni di condensa nella camera di combustione / tubi /canna fumaria. Questo dipende dall'umidità della legna o da differenze di temperature nella camera di combustione o nell'ambiente.

La condensa nella camera di combustione appare come un liquido nero. Questa deve essere rimossa per evitare danni alla colorazione del prodotto, del pavimento o del rivestimento. Per questo è importante una fase di accensione veloce che limiti la produzione di condensa.

Se l'afflusso di condensa continua si può usare della sabbia minerale sul fondo della camera di combustione.

Eliminazione della cenere

Jøtul F 360 Advance possiede un ceneraio che rende più semplice rimuovere la cenere.

- Rimuovere la cenere solo quando la stufa è fredda.
- Scuotere la cenere attraverso la grata nella piastra di base e quindi nel ceneraio. Indossare un guanto per impugnare la maniglia sul ceneraio ed estrarre la cenere.
- Assicurarci che il ceneraio non si riempia fino al punto di impedire alla cenere di scendere dalla grata.

5.0 Utilizzo giornaliero

Odori al primo utilizzo del caminetto

Quando il caminetto viene utilizzato per la prima volta, può emettere un gas irritante dal lieve odore. Ciò si verifica perché la vernice si secca. Il gas non è tossico, tuttavia il locale deve essere ventilato approfonditamente. Lasciare bruciare il fuoco con un tiraggio elevato, fino a far scomparire ogni traccia di gas, fumo e odore.

Consiglio per l'alimentazione della stufa

Nota: i ceppi conservati all'aperto o in un locale freddo devono essere collocati all'interno 24 ore prima dell'uso, al fine di portarli alla temperatura ambiente.

Ci sono vari modi per alimentare la stufa, tuttavia è sempre importante prestare attenzione a ciò che viene collocato nella stufa. Consultare la sezione "Qualità della legna".

La bruciatura con una scarsa circolazione dell'aria può causare una combustione insufficiente, una ridotta efficienza energetica e una maggiore emissione di particelle, nerofumo e altri composti nocivi alla salute e all'ambiente.

Qualità della legna

Per "legna di qualità" si intendono tipi di legna generalmente conosciuti come la betulla, l'abete e il pino.

I ceppi devono essere asciugati, in modo che il contenuto di umidità non sia superiore al 20%.

A tal fine, si consiglia di tagliare i ceppi alla fine dell'inverno. Tagliarli e impilarli in modo da garantire una buona ventilazione. Le pile di legna devono essere coperte per proteggere i ceppi dalla pioggia. Portare i ceppi all'interno all'inizio dell'autunno e impilarli/conservarli per utilizzarli in inverno.

Prestare particolare attenzione a non utilizzare mai i seguenti materiali come combustibile per il caminetto:

- Rifiuti domestici, buste di plastica, ecc.
- Legname verniciato o impregnato (in quanto estremamente tossico).
- Assi di legno laminato.
- Cumuli di legname trasportato dalla corrente

Possono danneggiare il prodotto e sono anche inquinanti.

Legna

L'efficienza di Jøtul F 360 Advance garantisce una potenza termica nominale di 6 kW. Utilizzo di legna, con emissione nominale di calore: Circa 2,1 kg/h. Un altro fattore importante per ottenere un funzionamento efficiente della stufa è rappresentato dalle dimensioni dei ceppi, che devono essere le seguenti:

Fascine:

Lunghezza: 27-30 cm

Diametro: 2-5 cm

Quantità per un'accensione: 6-8 pezzi

Legna da ardere (spaccata):

Lunghezza: 27 - 30 cm

Diametro: circa 8 cm

Intervalli di aggiunta della legna: circa ogni 45 minuti

Aumento della fiamma: 1,6 kg

Quantità per carica: 2 pezzi

La potenza termica nominale viene raggiunta quando l'apertura della presa di accensione e d'aria è pari a 22% circa (**fig. 27 A**), quando è estratta di circa 12,5 mm.

5.1 Come vento e agenti atmosferici influiscono sulla stufa

Le performance della stufa possono essere influenzate notevolmente dal vento che agisce sul camino con una forza diversa. Pertanto può essere necessario regolare l'alimentazione dell'aria per garantire buone performance di combustione. Inoltre può essere utile montare una valvola di tiraggio nel tubo di scarico, in modo da regolare il tiraggio del camino in base alla forza del vento.

Nebbia e foschia possono avere un impatto significativo sul tiraggio del camino e può essere necessario utilizzare impostazioni dell'aria di combustione per garantire buone performance.

5.2 Canna fumaria

La canna fumaria è il motore che aziona il camino ed è essenziale possedere una buona canna fumaria perché il focolare funzioni correttamente.

Il tiraggio nella canna fumaria crea un vuoto nella stufa. Tale vuoto estrae il fumo dalla stufa e aspira aria attraverso il parafiamma dell'aria di combustione per alimentare il processo di combustione.

L'aria di combustione viene anche utilizzata per il sistema di lavaggio ad aria che mantiene pulita la finestra dalla fuliggine.

Il tiraggio nella canna fumaria è causato dalla differenza di temperatura all'interno e all'esterno della canna fumaria.

Maggiore è la differenza di temperatura, migliore sarà il tiraggio nella canna fumaria. Pertanto è importante consentire alla canna fumaria di raggiungere la temperatura operativa prima di regolare le prese d'aria per limitare la combustione nella stufa (una canna fumaria in muratura richiede più tempo per raggiungere la temperatura operativa rispetto ad una canna fumaria in acciaio).

È particolarmente importante raggiungere la temperatura operativa il più rapidamente possibile nei giorni in cui il tiraggio della canna fumaria non è ideale a causa di condizioni di vento e clima sfavorevoli. Assicurarsi che il combustibile si accenda il più rapidamente possibile. Suggerimento pratico: Tagliare la legna in pezzi molto più piccoli e utilizzare un'esca per il fuoco aggiuntiva.

Nota: Se la stufa non è stata utilizzata per diverso tempo, è importante verificare l'assenza di eventuali ostruzioni nel tubo della canna fumaria.

6.0 Manutenzione

6.1 Pulizia del vetro

Il prodotto dispone del sistema di pulizia ad aria del vetro. Attraverso la presa d'aria, l'aria viene risucchiata nella parte superiore del camino e spinta verso il basso lungo la parte interna del vetro.

Sarà comunque inevitabile l'accumulo di un po' fuliggine sul vetro, la cui quantità dipenderà dalle condizioni di tiraggio locale e dalla regolazione della presa d'aria. La maggior parte della fuliggine verrà normalmente bruciata quando si apre completamente la presa d'aria mentre il fuoco brucia vivacemente nel camino.

Suggerimento utile! Per la pulizia generale, utilizzare carta da cucina inumidita con acqua calda e aggiungere della cenere presa dalla camera di combustione. Pulire il vetro con la carta, quindi risciacquarlo con acqua pulita e asciugarlo completamente. Se fosse necessario pulire il vetro più a fondo, utilizzare un detergente per vetri (seguire le istruzioni riportate sul flacone).

6.2 Pulizia e rimozione della fuliggine

I depositi di fuliggine possono accumularsi sulle superfici interne del caminetto durante l'uso. La fuliggine è un buon isolante, pertanto riduce la potenza termica del caminetto. Se si accumulano depositi di fuliggine durante l'utilizzo del prodotto, per rimuoverli è sufficiente utilizzare un detergente specifico.

Al fine di impedire la formazione di acqua e di uno strato di pece liquida nel caminetto, consentire regolarmente la presenza di fiamme particolarmente calde per rimuovere lo strato. È richiesta una pulizia interna annuale per ottenere i migliori risultati termici dal prodotto. Si consiglia di effettuarla insieme alla pulizia della canna fumaria e dei condotti.

6.3 Pulizia dei condotti alla canna fumaria

I condotti devono essere spazzati attraverso l'apposito portello o l'apertura della porta. In genere, occorrerà rimuovere il parafiamma.

6.4 Ispezione del caminetto

Jøtul raccomanda di ispezionare attentamente il proprio caminetto dopo averlo spazzato e pulito. Controllare tutte le superfici visibili per individuare eventuali crepe. Controllare anche che tutti i giunti siano sigillati e che tutte le guarnizioni siano nelle posizioni corrette. Qualsiasi guarnizione che mostri segni di usura o deformazione deve essere sostituita.

Pulire accuratamente le scanalature delle guarnizioni, applicare della colla per ceramica (disponibile presso il proprio rivenditore Jøtul locale) e premere la guarnizione in posizione. Il giunto si asciugherà rapidamente.

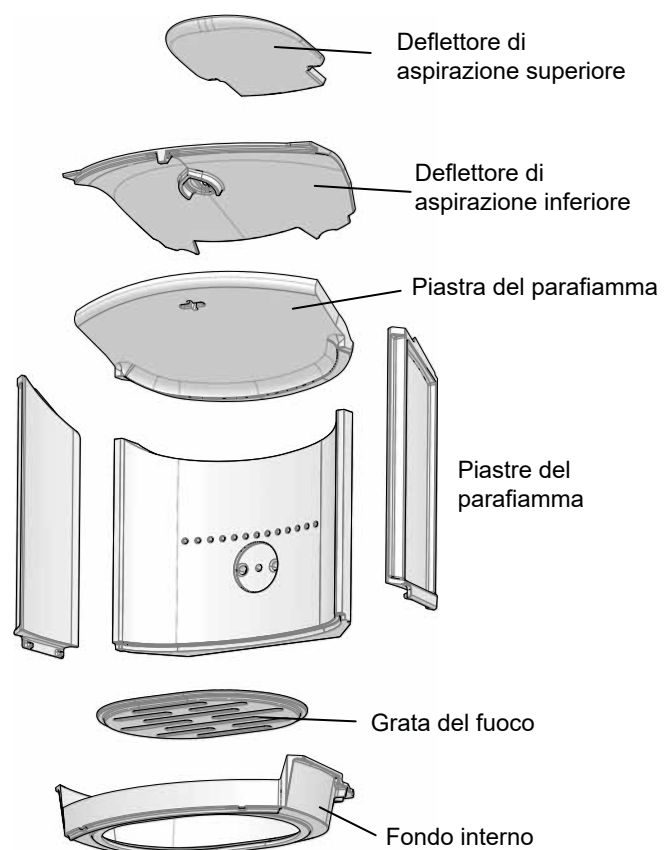
6.5 Manutenzione esterna

Il colore dei prodotti verniciati può alterarsi dopo svariati anni di utilizzo. La superficie deve essere pulita e spazzolata in modo da rimuovere ogni residuo prima di applicare la nuova vernice.

7.0 Assistenza

È vietata ogni modifica non autorizzata al prodotto. Utilizzare solo ricambi originali.

Fig. 29



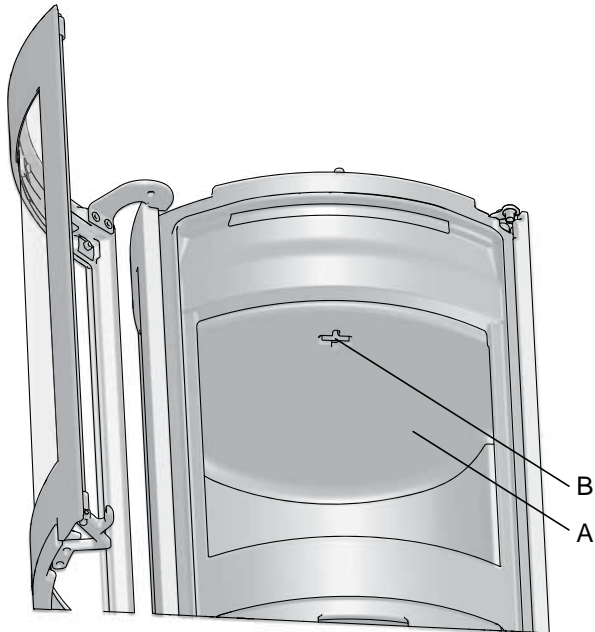
ITALIANO

7.1 Sostituzione di componenti nella camera di combustione

Utilizzare gli utensili con grande attenzione. Il pannello Skamol (piastra refrattaria posteriore) deve essere maneggiato con cura per evitare danni.

Sostituzione della piastra del parafiamma

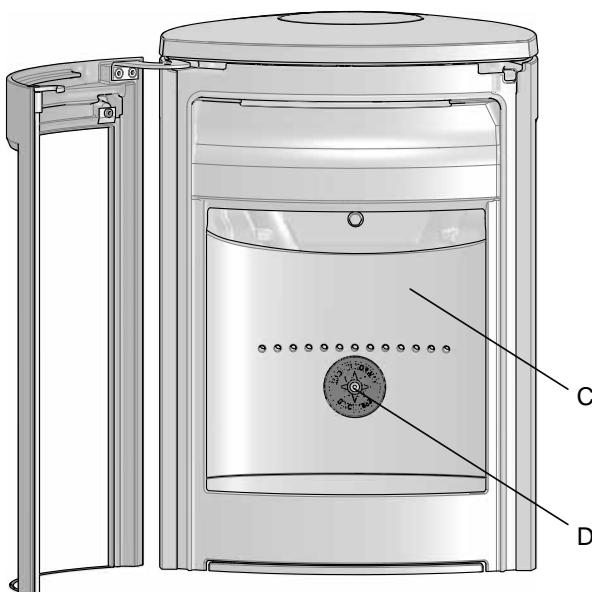
Fig. 30



1. Sollevare la piastra del parafiamma (A), ruotare la chiave (B) di 90° nella piastra del parafiamma (A) e poi rimuoverla. Sollevare il bordo posteriore della piastra del parafiamma ed estrarla inclinandola.

Sostituzione della piastra refrattaria

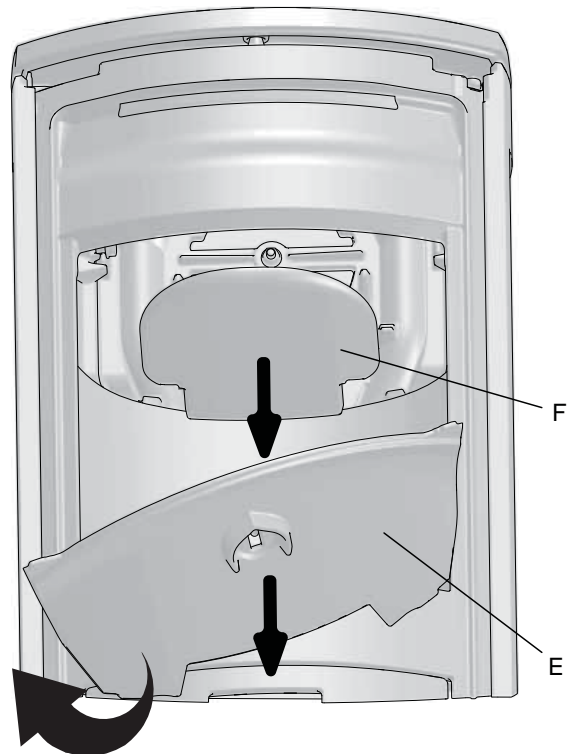
Fig. 31



2. Rimuovere la piastra refrattaria (C) svitando la vite (D) al centro della piastra di fissaggio. Sollevarla e inclinare la piastra refrattaria per estrarla.

Sostituzione dei deflettori di aspirazione

Fig. 32



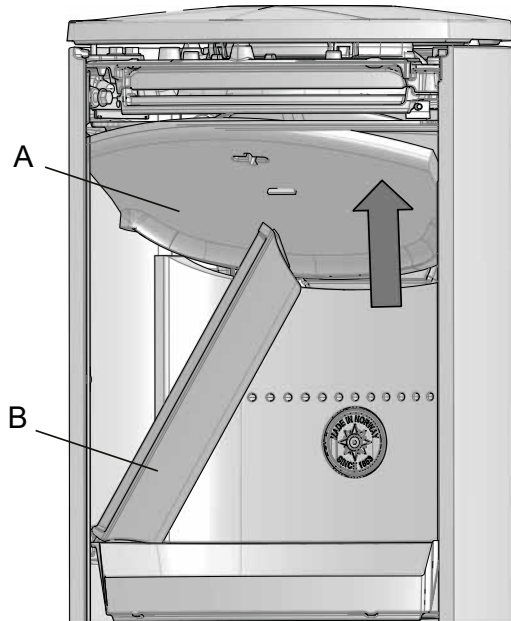
3. I deflettori di aspirazione inferiore e superiore sono situati sopra la piastra del parafiamma. Rimuovere il deflettore inferiore (E) sollevandolo dal bordo posteriore e inclinandolo per estrarlo.
4. Sollevare il deflettore superiore (F) dalle scanalature e rimuoverlo dalla camera di combustione.

Per reinserire i componenti estratti, seguire la stessa procedura in ordine inverso.

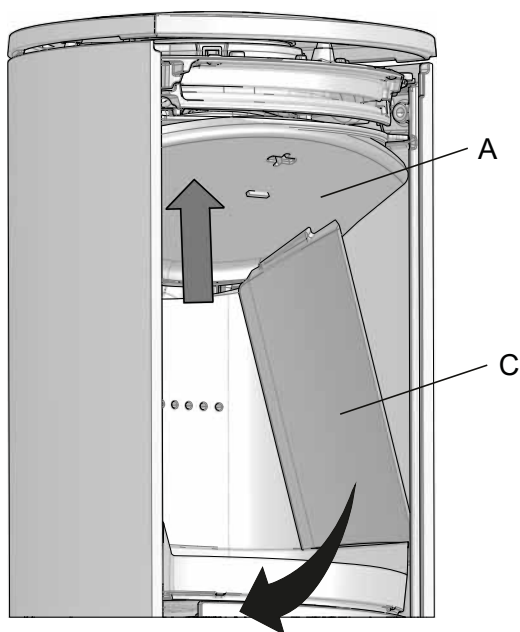
7.2 Sostituzione della piastra refrattaria/del fondo interno e della grata del fuoco

(In caso di utilizzo di utensili, è importante maneggiare con cura il pannello Skamol per evitare danni).

Fig. 33

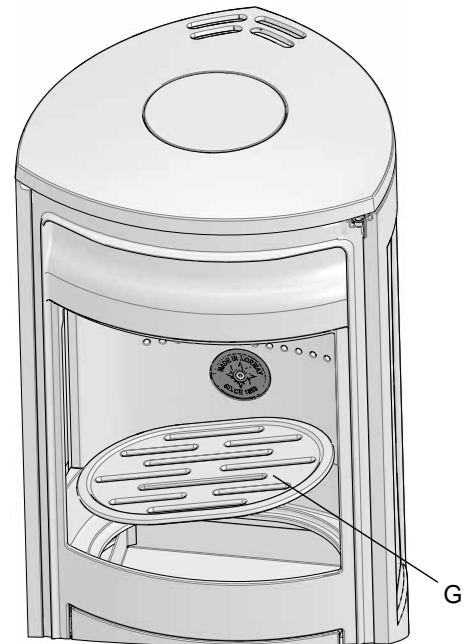


Alzare il deflettore (A) spostarlo e rimuovere la parete (B) delle camera di combustione. Nota! Il deflettore permette di mantenere in posizione le pareti laterali. Assicurarsi che le pareti non cadano quando alzate il deflettore.



Rimuovere la parte laterale (C) dalla parte opposta della camera

Fig. 34



di combustione.

1. Sollevare la piastra del parafiamma, ruotare la chiave (fig. 30 B) di 90° nella piastra del parafiamma (fig. 30 A) e poi rimuoverla. Sollevare il bordo posteriore della piastra del parafiamma (G) ed estrarla inclinandola.
2. Rimuovere la piastra refrattaria (fig. 31 C) svitando la vite (fig. 31 D) al centro della piastra di fissaggio. Sollevare la piastra refrattaria ed estrarla inclinandola.
3. Rimuovere la grata del fuoco (G).

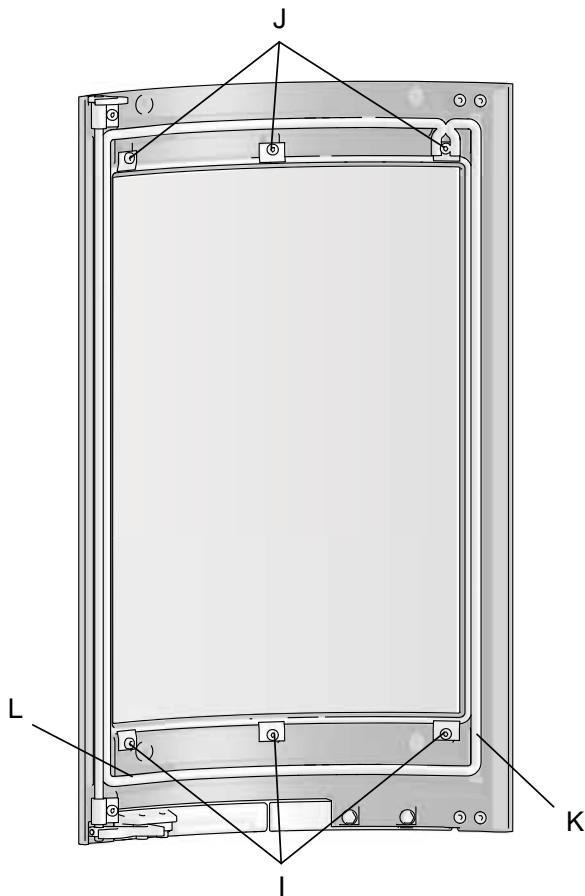
Fig. 35



4. Sollevare il fondo interno (H) ed estrarlo inclinandolo. **Per reinserire i componenti estratti, seguire la stessa procedura in ordine inverso.**

7.3 Sostituzione del vetro e delle guarnizioni della porta

Fig. 35



5. Per sostituire il vetro della porta, svitare prima le 3 viti inferiori (**I**). Poi svitare le 3 viti superiori (**J**). Rimuovere il vetro.
6. Rimuovere le guarnizioni danneggiate (all'interno (**L**) e/o all'esterno (**K**)). Pulire la scanalatura della guarnizione, applicare nuova colla e premere in posizione le nuove guarnizioni.

8.0 Risoluzione dei problemi

Scarso tiraggio

Verificare la lunghezza della canna fumaria e la conformità alle norme nazionali (per informazioni, vedere anche le sezioni «**2.0 Dati tecnici**» e «**4.0 Installazione**» (Canna fumaria e condotto) nel manuale di installazione).

Accertarsi che la sezione trasversale minima della canna fumaria sia conforme a quanto riportato nella sezione «**2.0 Dati tecnici**» del manuale di installazione.

Verificare che non ci sia nulla che impedisca il deflusso del fumo: rami, alberi e così via.

Se si sospetta un tiraggio eccessivo o insufficiente della canna fumaria, rivolgersi a un tecnico specializzato per la misurazione e la regolazione.

Il camino e spegnimento del fuoco

- Accertarsi che la legna sia sufficientemente secca.
- Verificare che ci sia una pressione negativa nella stanza, spegnere le ventole meccaniche e aprire una finestra nelle vicinanze del camino.
- Controllare che la presa d'aria sia aperta.
- Controllare che il condotto di scarico dei fumi non sia intasato dalla fuliggine.

Accumulo anomalo di fuliggine sul vetro

È inevitabile che si accumuli della fuliggine sul vetro, ma la sua quantità dipende da:

- Umidità del combustibile.
- Condizioni di tiraggio del locale.
- Apertura della presa d'aria.

Gran parte della fuliggine viene normalmente bruciata quando la presa d'aria è completamente aperta e il fuoco arde vivacemente nel camino.

9.0 Accessori opzionali

9.1 Insetto rotante

Insetto rotante per Jøtul F 373 Advance,
- codice art. 51050989

9.2 Porta per vano porta legna in ghisa

Vernice nera - codice art. 51050944

9.3 High Top

codice art. 51050934

9.4 Sistema di stoccaggio del calore

codice art. 10026701

9.5 Kit di Circolazione dell'aria Ø 100 mm

codice art. 51012164

9.6 Kit coperchio in pietra ollare

codice art. 22052834, BP

10.0 Riciclaggio

10.1 Riciclaggio dell'imballo

Ogni caminetto viene fornito all'interno del seguente imballo:

- Un pallet di legno che può essere tagliato e bruciato nel caminetto.
- Un imballo in cartone riciclabile da consegnare alle strutture di riciclaggio locali.
- Buste in plastica riciclabili da consegnare alle strutture di riciclaggio locali.

10.2 Riciclaggio del caminetto

Il caminetto è composto dai seguenti materiali:

- Metallo riciclabile da consegnare alle strutture di riciclaggio locali.
- Vetro da smaltire come rifiuto pericoloso. Il vetro contenuto nel caminetto non deve essere collocato in un normale contenitore per rifiuti domestici.
- Piastre refrattarie in vermiculite da smaltire nei normali contenitori per rifiuti domestici.

11.0 Termini della garanzia

1. La nostra garanzia copre:

JøtulAS garantisce che i componenti esterni in ghisa sono esenti da difetti di materiali o lavorazione al momento dell'acquisto. È possibile estendere la garanzia per i componenti esterni in ghisa fino a 25 anni dalla data di consegna registrando il prodotto sul sito jotul.com e stampando la scheda di garanzia estesa entro tre mesi dall'acquisto. Consigliamo di conservare la scheda della garanzia assieme allo scontrino. Jøtul AS garantisce inoltre che i componenti delle piastre in acciaio sono esenti da difetti di materiali o lavorazione al momento dell'acquisto per un periodo di 5 anni dalla data di consegna.

La garanzia è valida a condizione che la stufa sia stata installata da un installatore qualificato conformemente con le leggi e normative applicabili e con le istruzioni di installazione e operative di Jøtul. I prodotti riparati e gli articoli sostitutivi sono garantiti per il periodo originale della garanzia.

2. La garanzia non copre:

- 2.1. Danni ai consumabili come le piastre refrattarie, le grate del fuoco, i parafiamma, le guarnizioni ed elementi simili, essendo soggetti a deterioramento nel tempo a causa della normale usura
- 2.2. Danni causati da manutenzione impropria, surriscaldamento, uso di combustibile non idoneo (esempi di combustibili non idonei sono, senza limitazione, cumuli di legname trasportato dalla corrente, legna impregnata, ritagli di assi, truciolato) o legna troppo umida/bagnata
- 2.3. Installazione di accessori opzionali per la modifica delle condizioni di tiraggio locali, la circolazione dell'aria o altre circostanze al di fuori del controllo di Jøtul
- 2.4. Casi di alterazione / modifica del focolare senza il previo consenso di Jøtul o l'utilizzo di parti non originali
- 2.5. Danni causati durante l'immagazzinaggio presso un distributore, il trasporto dal distributore o durante l'installazione
- 2.6. Prodotti venduti da rivenditori non autorizzati in aree in cui Jøtul opera un sistema di distribuzione selettiva
- 2.7. Costi associati (ad es., senza limitazione, trasporto, manodopera, trasferimento) o danni indiretti

Stufe a pellet, vetro, pietra, cemento, smalto e finitura a vernice (ad es., senza limitazione, scheggiatura, formazione di crepe, bolle o scolorimento e screpolatura) sono applicabili alle normative nazionali che disciplinano la vendita dei prodotti al consumo. La presente garanzia è valida per gli acquisti effettuati all'interno del territorio dello Spazio economico europeo. Qualsiasi domanda relativa alla garanzia deve essere rivolta al rivenditore Jøtul autorizzato di zona entro un periodo di tempo ragionevole, non successivo a 14 giorni dalla data in cui il guasto o il difetto si sono manifestati per la prima volta. Vedere l'elenco dei rivenditori sul nostro sito Web.jotul.com.

Se Jøtul non sarà in grado di rispettare i termini della garanzia per la stufe del cliente (fuori produzione), Jøtul offrirà al cliente una stufa di pari capacità di riscaldamento ma di modello differente.

Jøtul si riserva il diritto di rifiutare qualsiasi sostituzione di componenti o attività di assistenza nel caso in cui la garanzia non sia stata registrata online. La presente garanzia non pregiudica alcun diritto previsto dalle normative nazionali che disciplinano la vendita di prodotti al consumo. Il diritto di reclamo del cittadino è valido dalla data di acquisto e solo dietro presentazione di scontrino/numero di serie.

Cat.no. 10053720-Po3
Jøtul AS, December, 2018

Jøtul pursues a policy of constant product development. Products supplied may therefore differ in specification, colour and type of accessories from those illustrated and described in the brochure.

Jøtul vise sans cesse à améliorer ses produits. C'est pourquoi, il se réserve le droit de modifier les spécifications, couleurs et équipements sans avis préalable.

Quality

Our policy gives the customers quality and safety piece of mind as a result of Jøtul's vast experience dating back to when the company first started in 1853.

Qualité

Cette politique nous permet d'offrir à nos clients une qualité et une sécurité reposant sur la vaste expérience accumulée par Jøtul depuis sa création en 1853.



Jøtul AS,
P.o. box 1411
N-1602 Fredrikstad,
Norway
www.jotul.com